

## Resistance/potiposition transducer - MINI MCR-2-POT-UI-PT - 2902017

Please be informed that the data shown in this PDF Document is generated from our Online Catalog. Please find the complete data in the user's documentation. Our General Terms of Use for Downloads are valid (<http://phoenixcontact.com/download>)



Configurable potiposition transducer with plug-in connection technology for connecting potentiometers from 0  $\Omega$  ... 100  $\Omega$  to 0 k $\Omega$  ... 100 k $\Omega$ . Configurable via DIP switch or software. push-in connection technology, standard configuration

### Product description

Configurable, 3-way isolated potentiometer measuring transducer with plug-in connection technology. The measured values are converted into a linear and freely adjustable current or voltage signal. You can configure the device using one of the free software solutions. Default settings can also be made directly on the device by simply using the DIP switches (see configuration table). If it is not possible to fully utilize the potentiometer range, you can specify the upper and lower potentiometer values in the software. The measuring transducer supports fault monitoring and NFC communication.



### Key commercial data

Packing unit	1 pc
Weight per Piece (excluding packing)	100.0 GRM
Custom tariff number	85437090
Country of origin	Germany

### Technical data

#### Note

Utilization restriction	EMC: class A product, see manufacturer's declaration in the download area
-------------------------	---

#### Dimensions

Width	6.2 mm
Height	110.5 mm
Depth	120.5 mm

#### Ambient conditions

Ambient temperature (operation)	-40 °C ... 70 °C
Ambient temperature (storage/transport)	-40 °C ... 85 °C

# Resistance/potipotension transducer - MINI MCR-2-POT-UI-PT - 2902017

## Technical data

### Input data

Potentiometer	100 $\Omega$ ... 100 k $\Omega$
---------------	---------------------------------

### Output data

Voltage output signal	1 V ... 5 V (via DIP switch)
	10 V ... 0 V (via DIP switch)
	0 V ... 5 V (via DIP switch)
	0 V ... 10 V (via DIP switch)
	0 V ... 10.5 V (Can be set via software)
Current output signal	0 mA ... 20 mA (via DIP switch)
	4 mA ... 20 mA (via DIP switch)
	20 mA ... 0 mA (via DIP switch)
	20 mA ... 4 mA (via DIP switch)
	0 mA ... 21 mA (Can be set via software)
Max. voltage output signal	approx. 12.3 V
Max. current output signal	24.6 mA
Load/output load voltage output	$\geq 10$ k $\Omega$
Load/output load current output	$\leq 600$ $\Omega$ (at 20 mA)

### Power supply

Supply voltage	24 V DC
	9.6 V DC ... 30 V DC (The DIN rail bus connector (ME 6,2 TBUS-2 1,5/5-ST-3,81 GN, Order No. 2869728) can be used to bridge the supply voltage. It can be snapped onto a 35 mm DIN rail according to EN 60715))
Current consumption	33 mA (24 V DC)
	68 mA (12 V DC)

### Connection data

Single conductor/terminal point, solid, with ferrule, min.	0.14 mm <sup>2</sup>
Single conductor/terminal point, solid, with ferrule, max.	2.5 mm <sup>2</sup>
Single conductor/terminal point, solid, without ferrule, min.	0.14 mm <sup>2</sup>
Single conductor/terminal point, solid, without ferrule, max.	2.5 mm <sup>2</sup>
Conductor cross section flexible min.	0.14 mm <sup>2</sup>
Conductor cross section flexible max.	2.5 mm <sup>2</sup>
Min. AWG conductor cross section, flexible	24
Max. AWG conductor cross section, flexible	12
Stripping length	10 mm
Connection method	Push-in connection

### General

Maximum transmission error	< 0.1 % (R < 240 $\Omega$ = < 0,2 %)
----------------------------	--------------------------------------

# Resistance/potiposition transducer - MINI MCR-2-POT-UI-PT - 2902017

## Technical data

### General

Maximum temperature coefficient	0.01 %/K
Step response (10-90%)	< 60 ms
Ambient temperature (operation)	-40 °C ... 70 °C
Ambient temperature (storage/transport)	-40 °C ... 85 °C
Housing material	PBT
Conformance	CE-compliant
ATEX	# II 3 G Ex nA IIC T4 Gc X
UL, USA / Canada	UL 508 Listed

### EMC data

Designation	Electromagnetic RF field
Standards/regulations	EN 61000-4-3
Typical deviation from the measuring range final value	0.2 %
Designation	Fast transients (burst)
Standards/regulations	EN 61000-4-4
Typical deviation from the measuring range final value	0.4 %
Designation	Conducted interferences
Standards/regulations	EN 61000-4-6
Typical deviation from the measuring range final value	0.2 %

## Classifications

### eCl@ss

eCl@ss 4.0	27210120
eCl@ss 4.1	27210120
eCl@ss 5.0	27210120
eCl@ss 5.1	27210120
eCl@ss 6.0	27210120
eCl@ss 7.0	27210120
eCl@ss 8.0	27210120

### ETIM

ETIM 3.0	EC001485
ETIM 4.0	EC001446
ETIM 5.0	EC002653

### UNSPSC

UNSPSC 6.01	30211506
-------------	----------

# Resistance/potiposition transducer - MINI MCR-2-POT-UI-PT - 2902017

## Classifications

### UNSPSC

UNSPSC 7.0901	39121008
UNSPSC 11	39121008
UNSPSC 12.01	39121008
UNSPSC 13.2	39121008

## Approvals

### Approvals

---

Approvals

UL Listed / cUL Listed / GL / cULus Listed

---

Ex Approvals

ATEX / UL Listed / cUL Listed / cULus Listed

---

Approvals submitted

---

### Approval details

UL Listed

cUL Listed

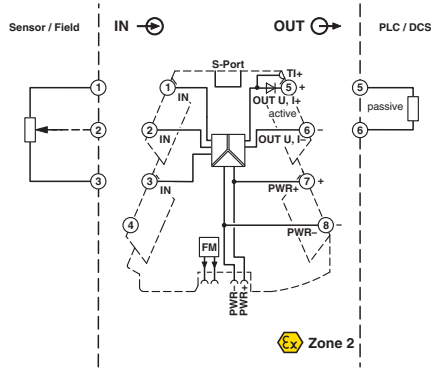
GL

cULus Listed

## Drawings

# Resistance/potipotition transducer - MINI MCR-2-POT-UI-PT - 2902017

Block diagram



Pictogram

