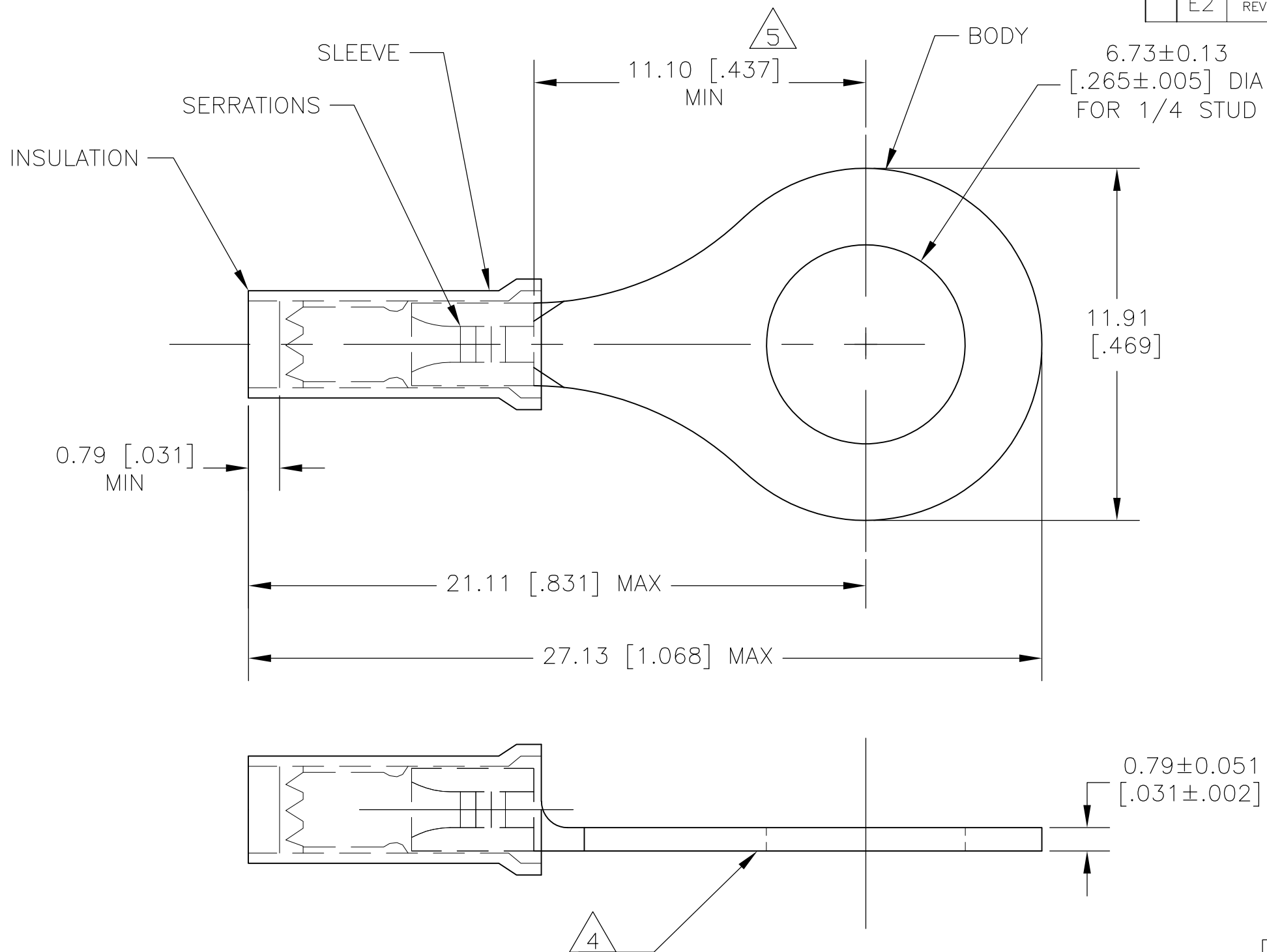


THIS DRAWING IS UNPUBLISHED. RELEASED FOR PUBLICATION
 © COPYRIGHT BY TYCO ELECTRONICS CORPORATION. ALL RIGHTS RESERVED.

| LOC | DIST | REVISIONS | | | | | |
|-----|------|-----------|-----|---------------------------|---------|-----|------|
| G | 86 | P | LTR | DESCRIPTION | DATE | DWN | APVD |
| | | E2 | | REVISED PER ECR 10-000304 | 06JAN10 | JR | TM |



- 1 BODY - COPPER PER ASTM B152 ANNEALED
SLEEVE - COPPER PER ASTM B152
INSULATION - NYLON
- 2 BODY & SLEEVE - TIN PLATED
INSULATION - COLOR - PURPLE
- 3 FOR 1.14-2.03 [.045-.080] DIA WIRE INSULATION
- 4 STAMP AMP 20, APPROX WHERE SHOWN.
- 5 APPLIES FROM EDGE OF METAL WIRE BARREL TO CENTERLINE OF STUD HOLE.
- 6 0.41-0.65mm² [810-1,290] CMA SOLID OR STRANDED

| | | |
|------|----------------|----------|
| 1000 | LOOSE PIECE | 152890 |
| QTY | PACKAGING TYPE | PART NO. |

| | | | | | |
|--|--|---------------------------------|---|--------------------|------------------------|
| THIS DRAWING IS A CONTROLLED DOCUMENT. | | DWN jr_ruth 06AUG07 | Tyco Electronics Corporation Harrisburg, PA 17105-3608 | | |
| DIMENSIONS: MM [INCHES] | | CHK T MICHELUTTI 30AUG07 | | | |
| TOLERANCES UNLESS OTHERWISE SPECIFIED: | | APVD T MICHELUTTI 30AUG07 | NAME RING TONGUE, PIDG | | |
| 0 PLC ± - 1 PLC ± - 2 PLC ± - 3 PLC ± 0.38 [.015] 4 PLC ± - ANGLES ± 5° | | PRODUCT SPEC - | RESTRICTED TO - | | |
| MATERIAL - 1 | | APPLICATION SPEC - | SIZE A3 | CAGE CODE 00779 | DRAWING NO C-152890 |
| FINISH - 2 | | WEIGHT - | CUSTOMER DRAWING | | |
| | | | SCALE 6:1 | SHEET 1 OF 1 | REV E2 |