

ISQ Series



- Single Output
- SMD Package
- Industry Standard Pinout
- 6000 VDC Isolation
- -40 °C to +85 °C Operation
- MTBF >3.5 MHrs
- 3 Year Warranty

Specification

Input

- Input Voltage Range • Nominal ±10%
- Input Reverse Voltage Protection • None

Output

- Output Voltage • See table
- Minimum Load • 10%⁽¹⁾
- Line Regulation • 1.2%/1% Δ Vin
- Load Regulation • 7.5% max for a 10-100% load change
- Setpoint Accuracy • 100-110% of nominal at 10% load
- Ripple & Noise • 200 mV pk-pk 20 MHz bandwidth
- Temperature Coefficient • 0.03%/°C
- Short Circuit Protection • Continuous, automatic recovery

General

- Efficiency • See table
- Isolation Voltage • 6000 VDC
- Isolation Resistance • 10⁹ Ω
- Isolation Capacitance • 10 pF typical
- Switching Frequency • 50 kHz at nominal input, full load
- MTBF • >3.5 MHrs to MIL-HDBK-217F at 25 °C, GB
- Recommended Solder Profile • IPC/JEDEC J-STD-020D.1

Environmental

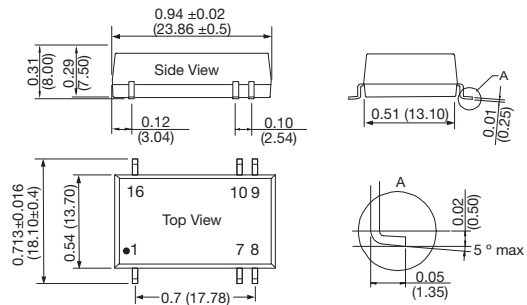
- Operating Temperature • -40 °C to +85 °C
- Storage Temperature • -55 °C to +125 °C
- Case Temperature • 105 °C max
- Cooling • Convection-cooled
- Lead Temperature • 260 °C, 0.06 in (1.5 mm) from case, 10 s

Notes

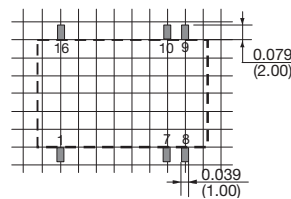
1. Operation at no load will not damage device but may not meet all specifications.

Input Voltage	Output Voltage	Output Current	Efficiency (typ)	Model Number ⁽⁶⁾
5 VDC	5.0 V	400 mA	76%	ISQ0505A
12 VDC	5.0 V	400 mA	76%	ISQ1205A
	15.0 V	133 mA	79%	ISQ1215A
24 VDC	5.0 V	400 mA	77%	ISQ2405A
	15.0 V	133 mA	78%	ISQ2415A

Mechanical Details



Recommended footprint
Top view grid: 0.1 x 0.1 in (2.54 x 2.54 mm)



Pin	Function
1	-Vin
7	N.C.
8	N.C.
9	+Vo
10	-Vo
16	+Vin

N.C. Not connected

Notes

1. All dimensions in inches (mm)
2. Tolerance: ±0.010 (±0.25)
3. Weight: 0.008 lbs (3.8 g)
4. Pin tolerance: ±0.004 (±0.10 mm)
5. For optional tape & reel option add suffix -TR to the end of the p/n. Reel quantity = 500