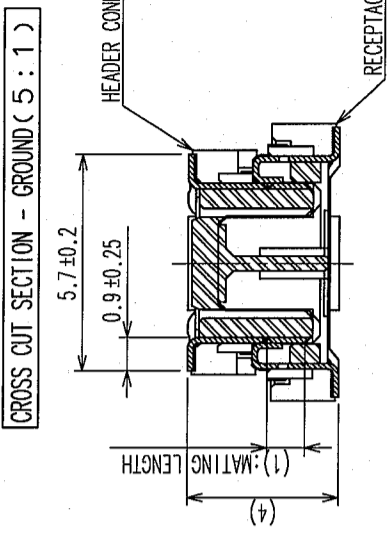
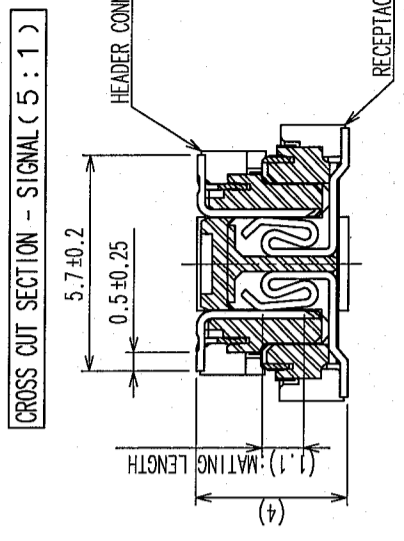
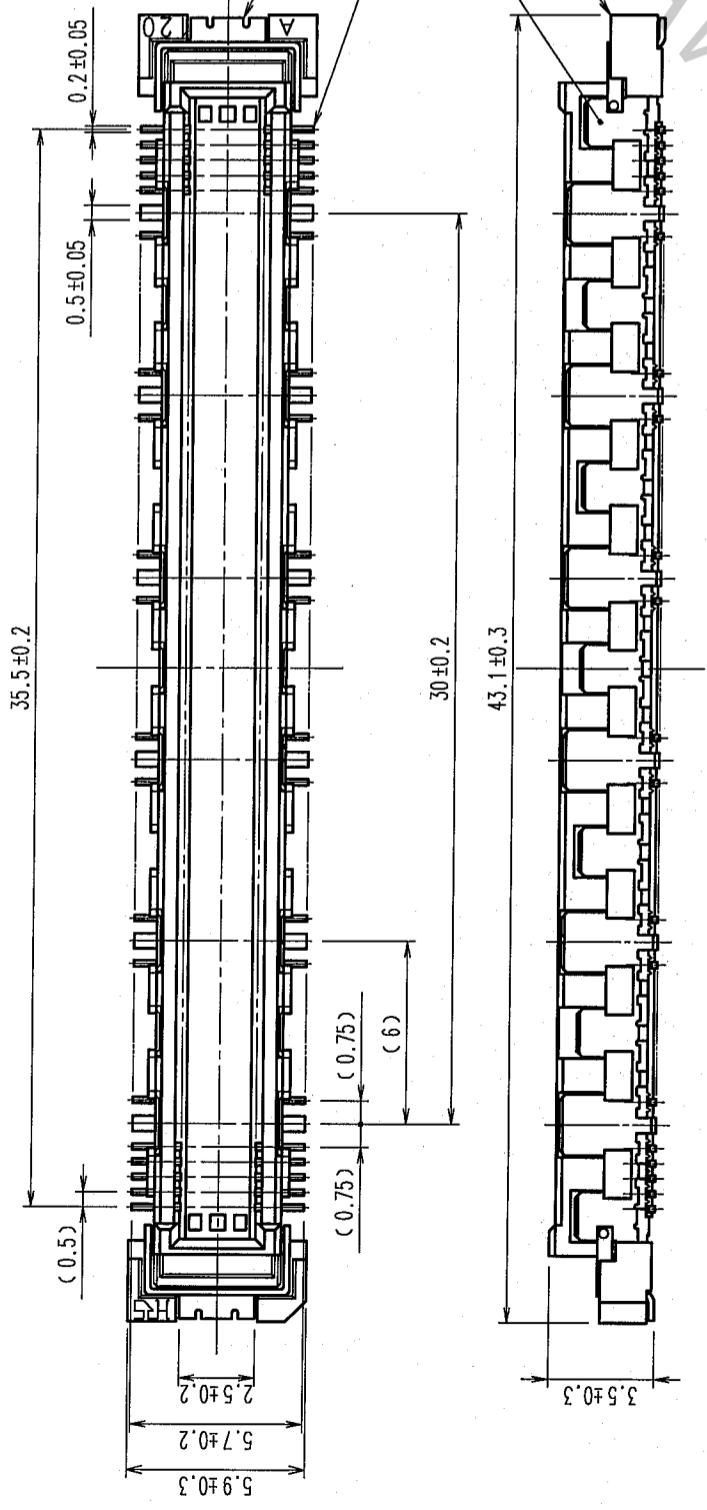
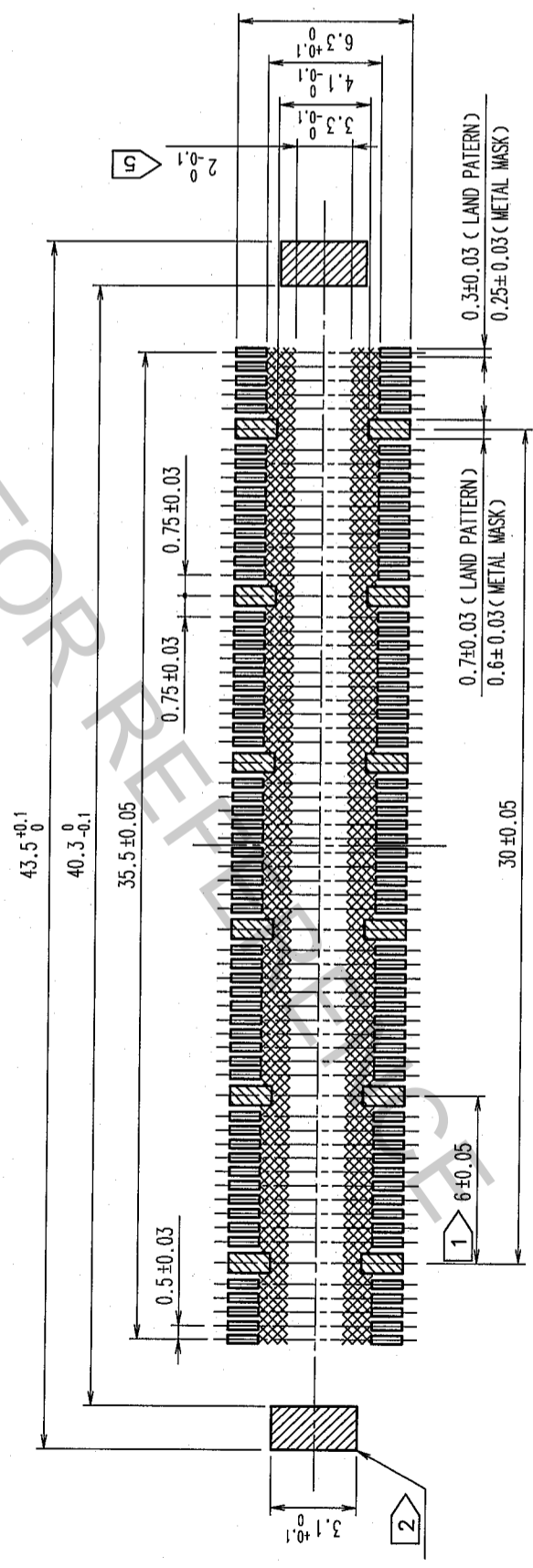


COUNT	DESCRIPTION OF REVISIONS	BY	CHKD	DATE	COUNT	DESCRIPTION OF REVISIONS	BY	CHKD	DATE



RECOMMENDED LAND PATTERN



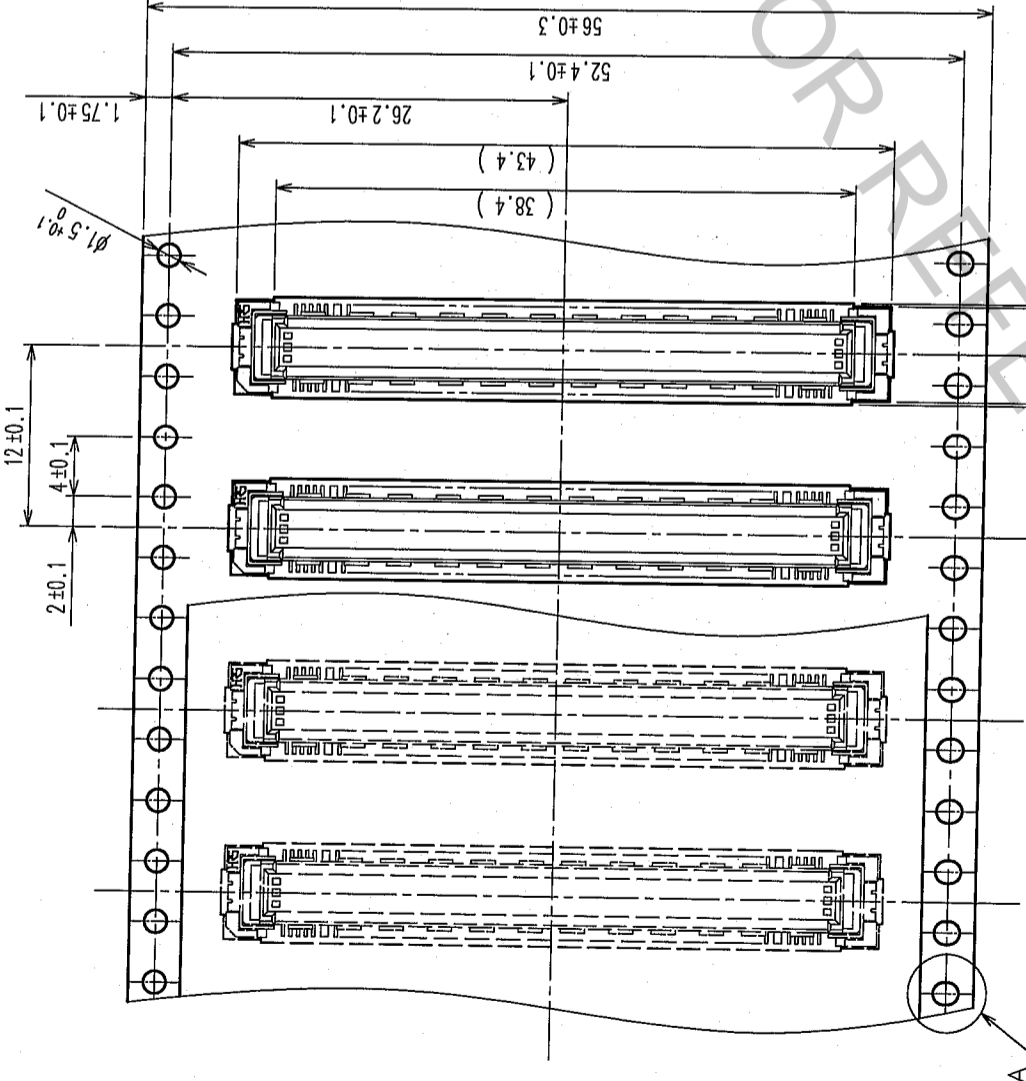
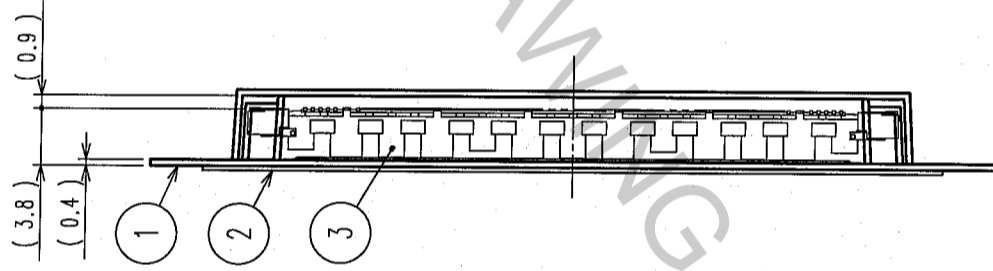
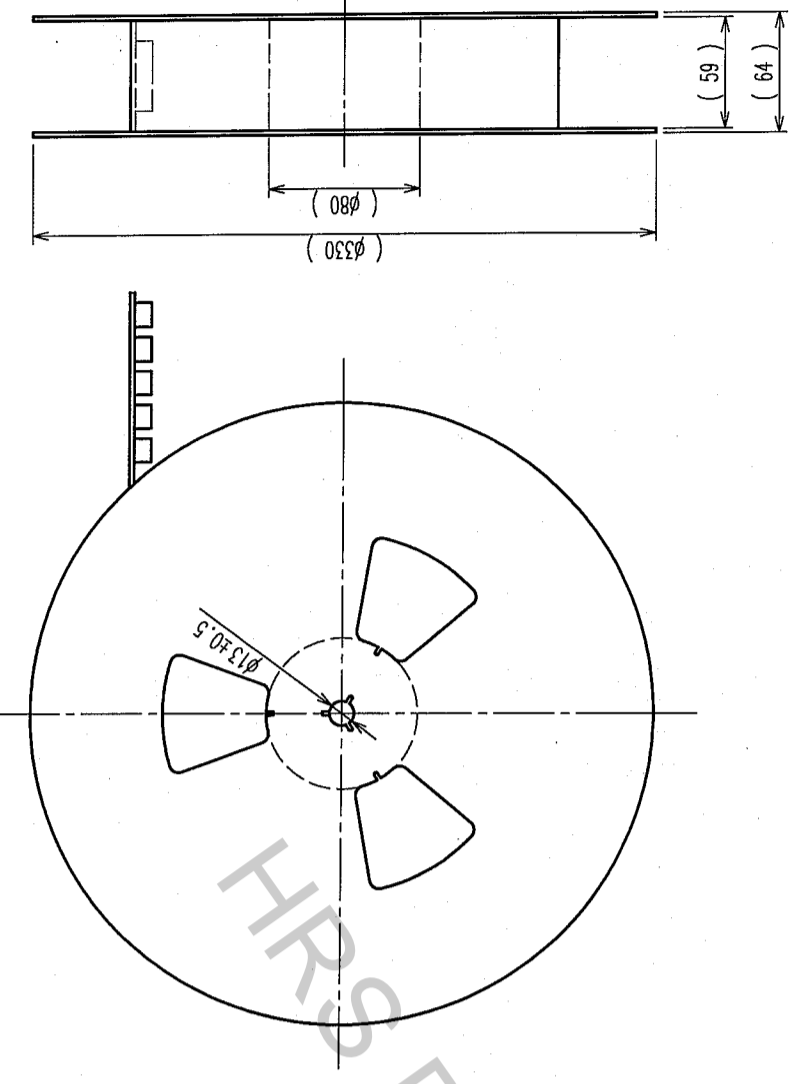
- NOTES
- 12 HATCHED PARTS: GROUND CIRCUIT.
  - 2 HATCHED PARTS: GROUND CIRCUIT.
  - SMT LEAD-COPLANARITY: 0.1 MAX.
  - THIS PRODUCT HAS NO POLARITY TO PATTERN FOR MOUNTING.
  - MAKE SURE WIDTH OF PATTERN IS WITHIN THAT OF LAND, OR LEAD TOUCH PATTERN. (THIS APPLIES TO HATCHED AREA.)
  - EMBOSS CARRIER TAPE PACKAGE IS APPLIED ON THIS PRODUCT. PLEASE REFER TO THE SHEET 2/2 FOR THE DETAILS.
  - THE DIMENSIONS IN PARENTHESES ARE FOR REFERENCE.

NO.	PHOSPHOR BRONZE	TIN-PLATING	FINISH, REMARKS	MATERIAL	NO.	MATERIAL	FINISH, REMARKS
2	PHOSPHOR BRONZE	TIN-PLATING			4	PHOSPHOR BRONZE	TIN-PLATING
1	LCP	BEIGE	UL94V-0		3	PHOSPHOR BRONZE	CONTACT AREA : GOLD 0.1μm min. LEAD AREA : TIN 1μm min. UNDER PLATING : NICKEL 1μm min.
CODE NO. (OLD) CL				DRAWN M. Saito			
DESIGNED M. Saito				CHECKED K. Oguma			
APPROVED H. Okawa				FINISH, REMARKS			
SCALE 4 : 1				PART NO. FX10B-120P/12-SV(91)			
UNITS MM				CODE NO. CL570-0023-8-91			

TO	
PCK	

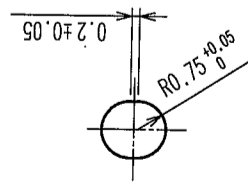
COUNT	DESCRIPTION OF REVISIONS	BY	CHKD	DATE	COUNT	DESCRIPTION OF REVISIONS	BY	CHKD	DATE
△					△				
△					△				
△					△				

REELED DIMENSION(Free)



THE DIRECTION OF PULLING OUT

A (5:1)



- NOTES
- 1 REEL: 1000 CONNECTORS.
  - 2 MINIMUM 10 COMPARTMENTS FROM BOTH REEL ENDS REMAIN EMPTY.
  - 3 THIS PRODUCT HAS NO POLARITY TO TAPE AND REEL PACKAGING.
  - 4 THE DIMENSIONS IN PARENTHESES ARE FOR REFERENCE.

POLYESTER		TOP COVER TAPE		EMBOSSED CARRIER TAPE		(CONNECTOR)	
NO.	MATERIAL	FINISH, REMARKS	NO.	MATERIAL	FINISH, REMARKS	NO.	MATERIAL
2	POLYESTER		3				
1	POLYSTYRENE						
CODE NO. (OLD)		DRAWN		DESIGNED		CHECKED	
CL		T. S. Doi		T. S. Doi		K. Ogawa	
		'05-09-02		'05-09-02		'05-09-02	
DRAWING FOR PACKING		DRAWING NO.		PART NO.		APPROVED	
		EDC3-151950-21		FX10B-120P/12-SV(91)		H. Okawa	
SCALE		2 : 1					
UNITS		JIS					
		HIROSE ELECTRIC CO., LTD		CODE NO.		CL570-0023-8-91	
						2	

TO	
PCK	