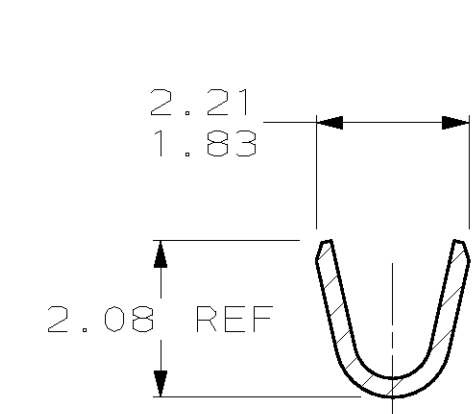
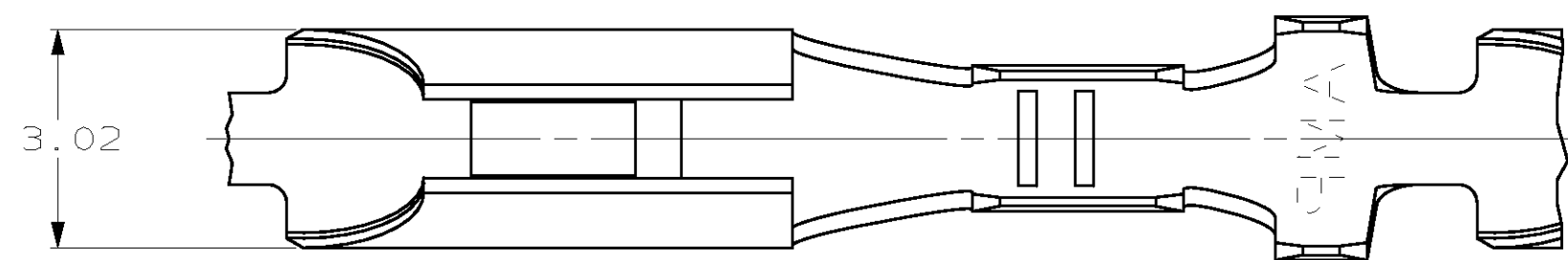


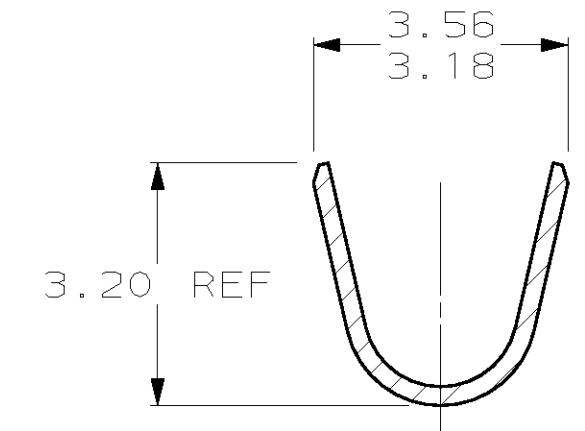
THIS DRAWING IS UNPUBLISHED. RELEASED FOR PUBLICATION
 (C) COPYRIGHT 19 BY AMP INCORPORATED. ALL RIGHTS RESERVED.

LOC	DIST	REVISIONS			
P	LTR	DESCRIPTION	DATE	DWN	APVD
CM	52	C	REV & REDWN PER EC 0L30-0164-97	6-24-97	TB RS

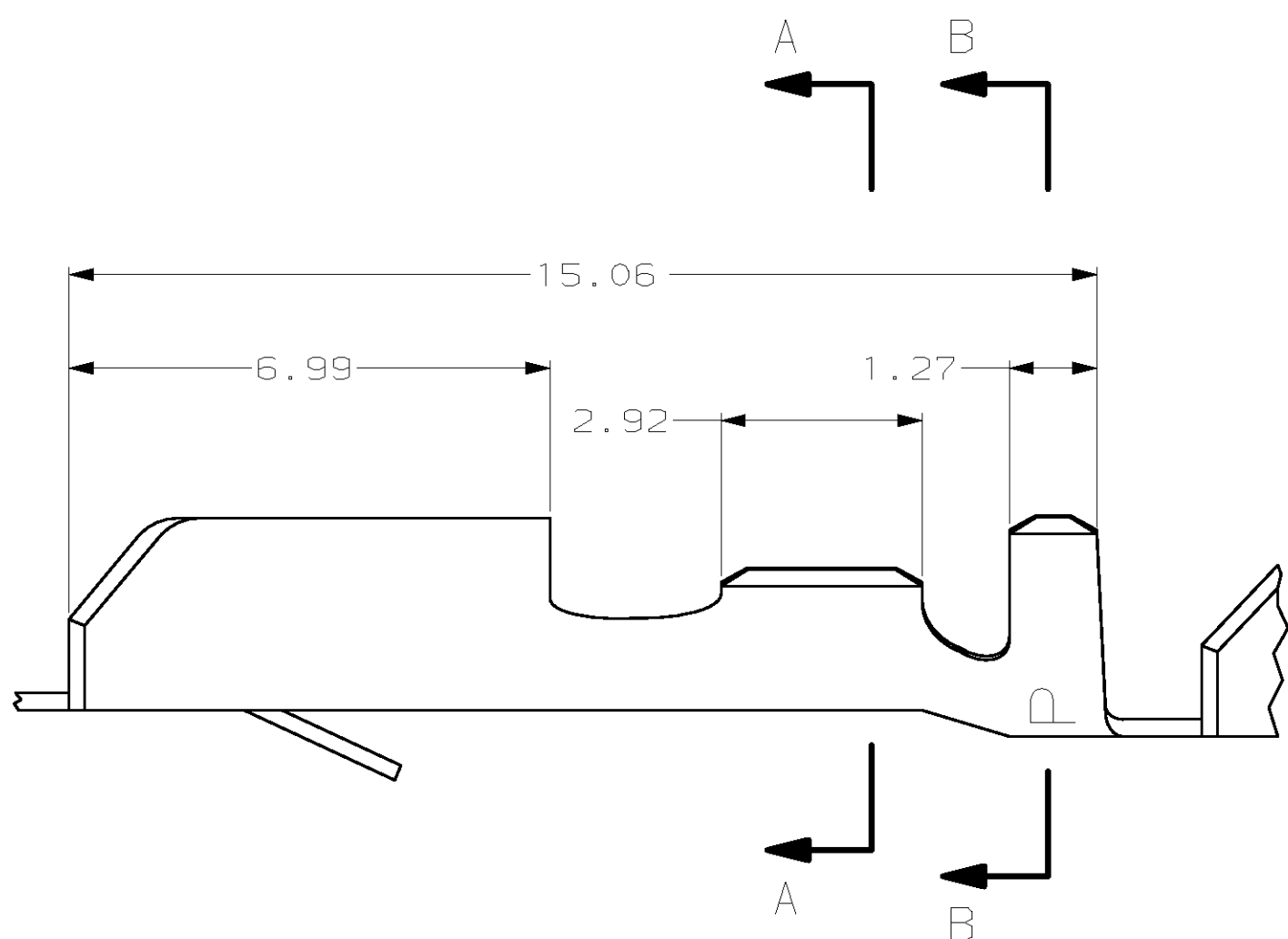
1. WIRE RANGE: 0.2 - 0.6 MM² (24 - 20 AWG)
2. INSULATION RANGE: 1.52 - 2.79
3. TO BE USED IN HOUSING 350342.



SECTION A-A



SECTION B-B



350343-1
PART NUMBER

1.83	.072	2.92	.115	6.99	.275	-	-
1.52	.060	2.79	.110	3.56	.140	-	-
1.27	.050	2.36	.093	3.20	.126	-	-
0.25	.010	2.21	.087	3.18	.125	-	-
0.13	.005	2.08	.082	3.02	.119	15.06	.593
MM	IN	MM	IN	MM	IN	MM	IN

CONVERSION TABLE

METRIC

THIS DRAWING IS A CONTROLLED DOCUMENT.		DWN T. BECK 6-24-97	AMP Incorporated Harrisburg, PA 17105-3608	
DIMENSIONS: mm		CHK R. SWING 6-24-97	NAME RECEPTACLE, .093 DIAMETER, 24-20 AWG, .060-.110 INSULATION, P.C. CONTACT	
TOLERANCES UNLESS OTHERWISE SPECIFIED: 0 PLC ± 1 PLC ± 2 PLC ±0.13 3 PLC ± 4 PLC ± ANGLES ±		APVD A. BEDDICK 8-22-97	PRODUCT SPEC 108-1025 APPLICATION SPEC 114-1008	
MATERIAL 0.25 BRASS	FINISH PRE-TIN	WEIGHT -	SIZE A2	CAGE CODE 00779
CUSTOMER DRAWING		SCALE 10:1	DRAWING NO. C-350343	RESTRICTED TO -
		SHEET 1	OF 1	REV C

350343