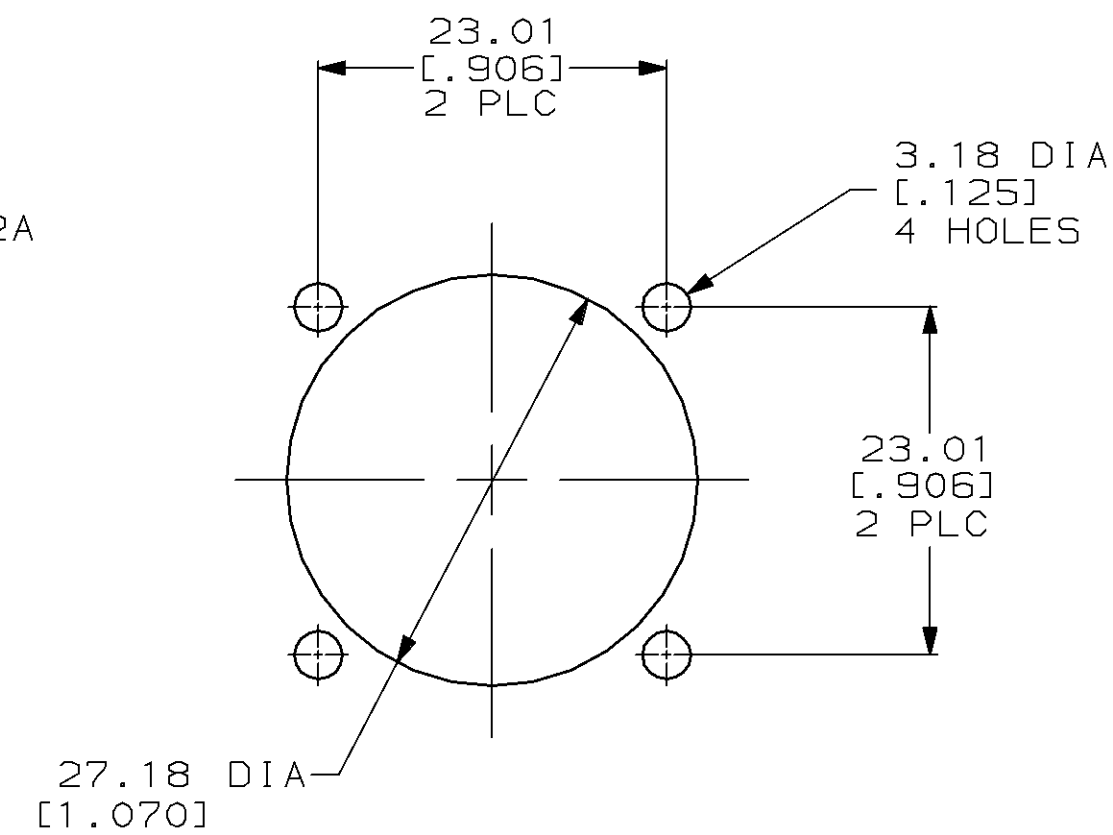
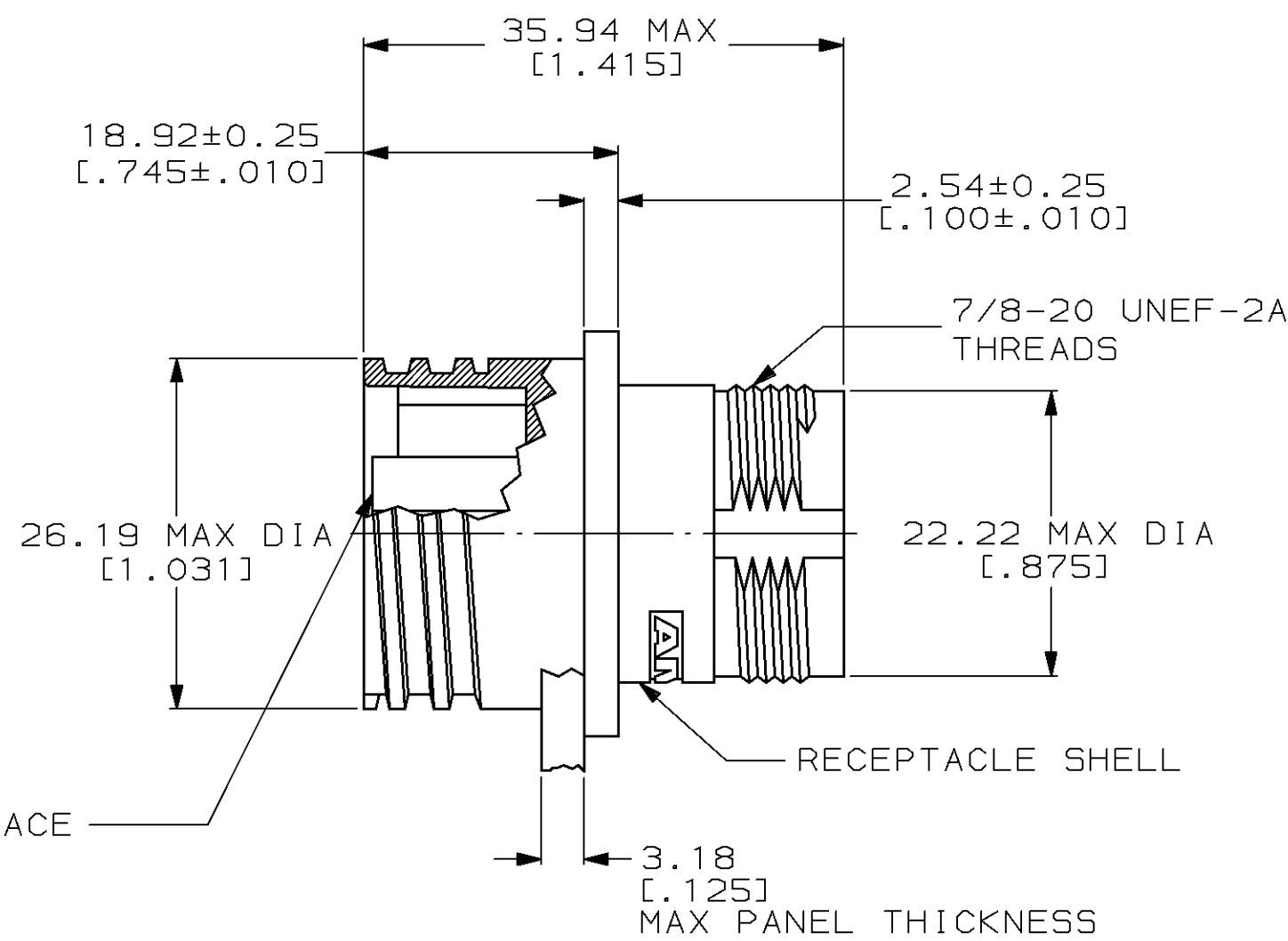
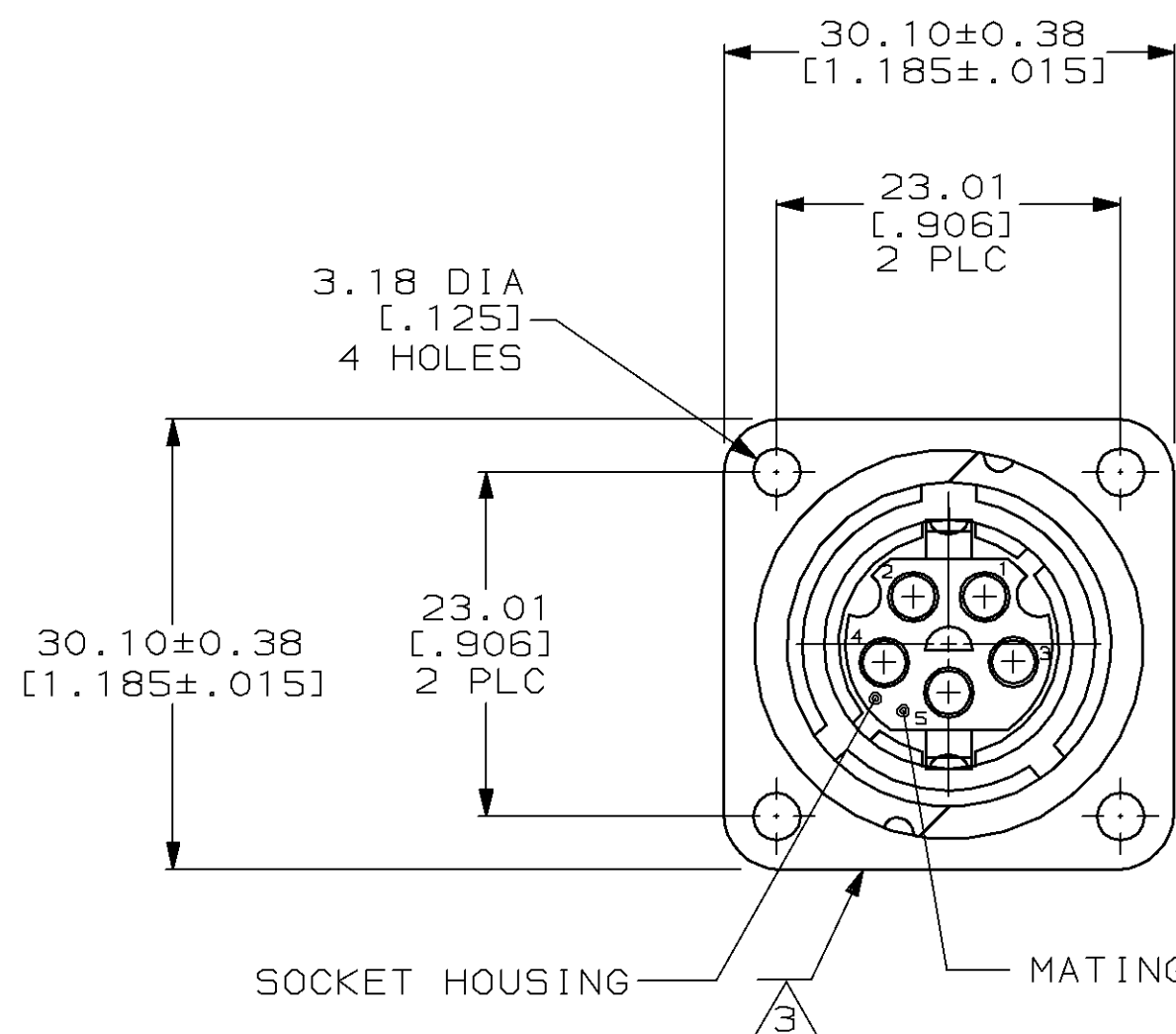


MOD		LOC		DIST		REVISIONS			
ZONE	LTR	DESCRIPTION	DATE	APPD					
4	BD	35	P	F	D	REDRAWN PER EC 0020-774-94	09/15/94	AF	



SUGGESTED PANEL CUTOUT

- THIS CONNECTOR ACCEPTS FIVE (5) SIZE 16 MULTIMATE SOCKET CONTACTS. MAXIMUM WIRE INSULATION DIAMETER = .135
  - THIS CONNECTOR MATES WITH AMP P/N 208720-1.
- ③ AMP P/N & DATE CODE INK STAMPED ON ANY OF THE FOUR SIDE SURFACES.
  - ④ THERMOPLASTIC, BLACK.
  - ⑤ ZINC PER QQ-Z-363.
  - ⑥ NICKEL PER QQ-N-290 OVER COPPER PER MIL-C-14550.

THIS DRAWING IS A CONTROLLED DOCUMENT FOR AMP INCORPORATED. IT IS SUBJECT TO CHANGE AND THE CONTROLLING ENGINEERING ORGANIZATION SHOULD BE CONTACTED FOR THE LATEST REVISION.

DO NOT SCALE PRINT. UNLESS SPECIFIED DIMENSIONS IN mm [INCHES] TOLERANCES ON : 2 PLC DEC ± 0.13 [.005] 3 PLC DEC ± - ANGLES ± -		DR 3/19/82 T. SMITH		AMP Incorporated Harrisburg, PA 17105-3608	
MATERIAL SOCKET HOUSING: ④ RECEPTACLE SHELL: ⑤		CHK 9/26/94 B. LENKER			
FINISH RECEPTACLE SHELL: ⑥		APPD 9/29/94 A. FRANTUM		NAME RECEPTACLE ASSEMBLY, REVERSE SEX, SERIES I, 14-5, CMC	
APPLICATION SPEC		APPD 9/29/94 R. EASTON		SIZE C 00779	
WEIGHT -		PRODUCT SPEC 108-10040		DRAWING NO C=208721	
				SCALE 2:1	
				SHEET 1 OF 1	

208721-1

PART NO