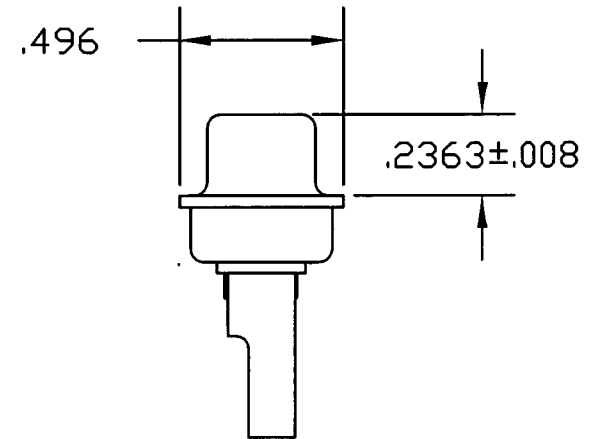
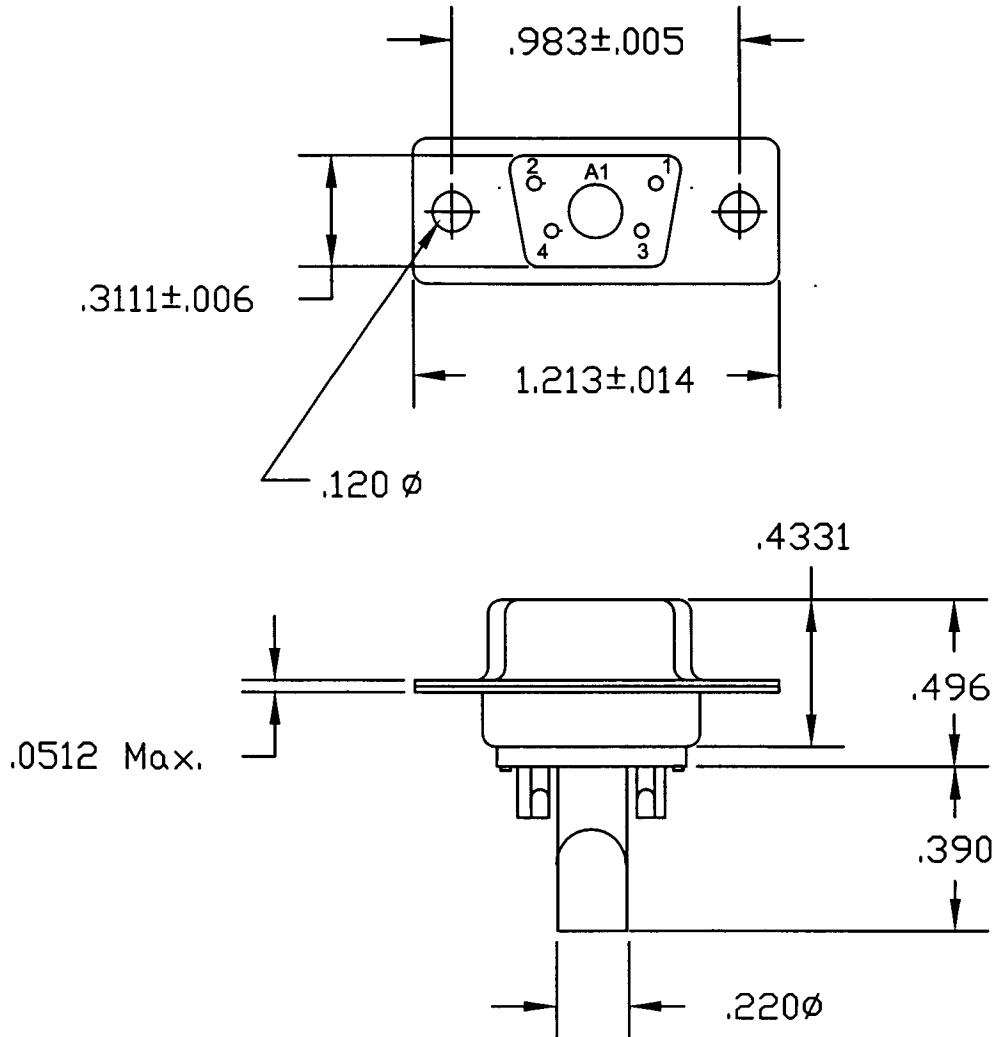



DESCRIPTION: 5W1 Female Connector - 40Amp Contact

Specification:

Shell: Steel, Tin Plated  
 Insulator: PBT +30% Fibre-Glass,  
 Black, UL 94V-0  
 Contacts: Brass - Gold Flash  
 Over Nickel

Current Rating: Signal - 5 Amps  
 Current Rating: Power - 40 Amps  
 Contact Resistance: 15mΩHMS MAX.  
 Insulator Resistance: 1000 MΩHMS MIN.  
 Voltage: 500V AC for 1 minute  
 Temperature: -50° C to +100°C



|  |   |                            |                       |                  |
|--|---|----------------------------|-----------------------|------------------|
|  | THESE DRAWINGS AND SPECIFICATIONS ARE THE PROPERTY OF NorComp AND SHALL NOT BE REPRODUCED, COPIED OR USED AS THE BASIS FOR THE MANUFACTURE OF SALE OF APPARATUS WITHOUT WRITTEN PERMISSION. |                            | DRAWN:<br>PAM JENKINS | DATE:<br>3-30-01 |
|  |   |                            | CHECKED:              | DATE:            |
| NorComp  |   | SCALE:                     | SHEET 1 OF 1          | REV 1            |
|  |   | DWG NO.<br>680-5W1-202-401 |                       |                  |