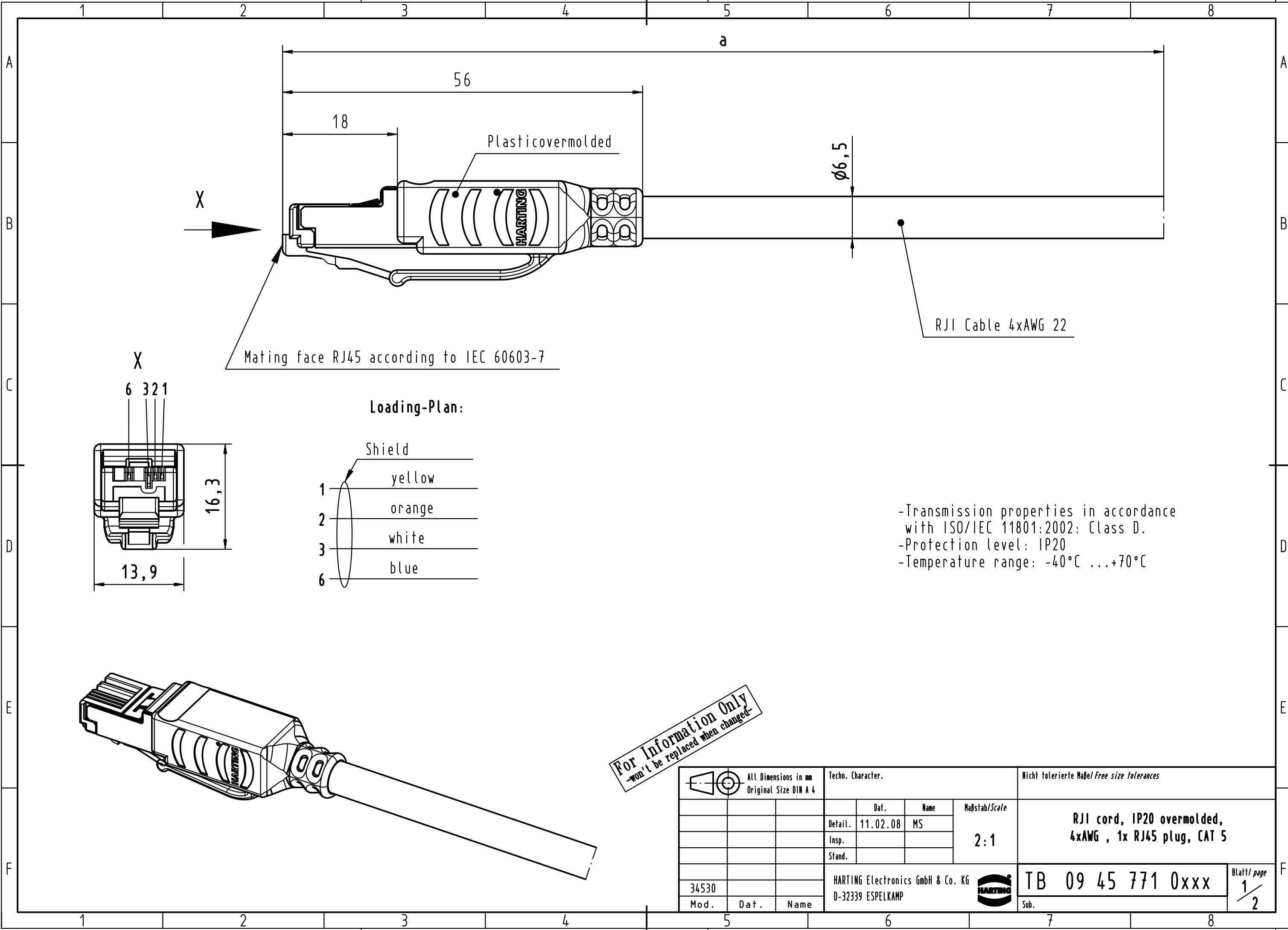


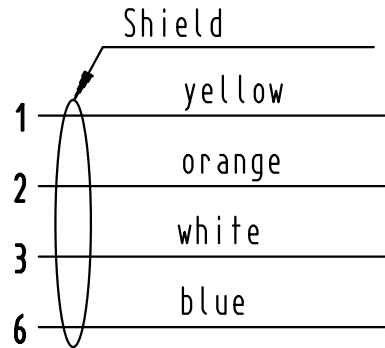
Alle Rechte vorbehalten. All rights reserved



RJ1 Cable 4xAWG 22

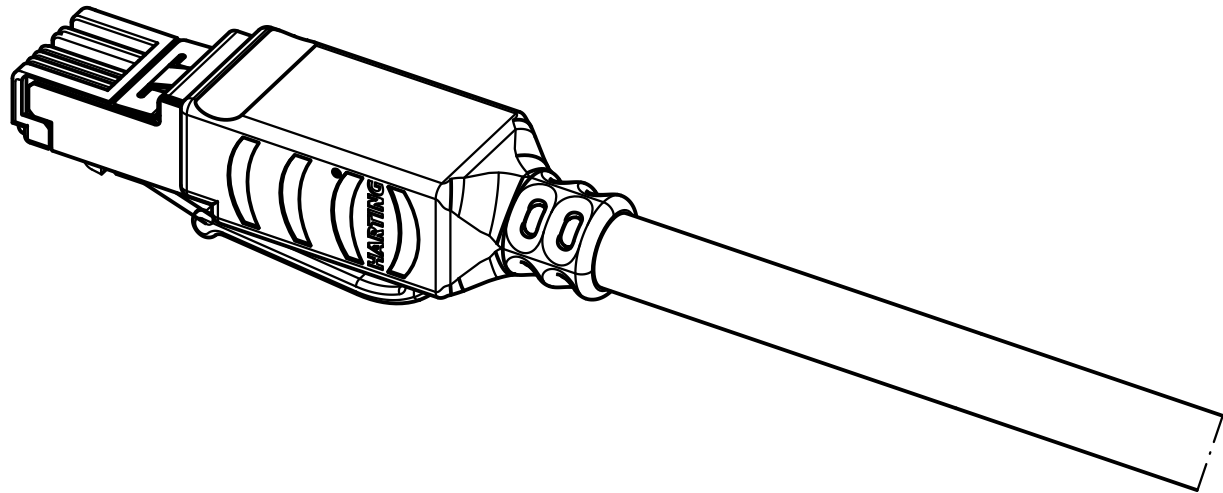
Mating face RJ45 according to IEC 60603-7

Loading-Plan:



- Transmission properties in accordance with ISO/IEC 11801:2002: Class D.
- Protection level: IP20
- Temperature range: -40°C ...+70°C

For Information Only
won't be replaced when changed





All Dimensions in mm Original Size DIN A 4		Techn. Character.			Nicht tolerierte Maß/Free size tolerances	
		Dat.	Name	Maßstab/Scale 2:1	RJ1 cord, IP20 overmolded, 4xAWG , 1x RJ45 plug, CAT 5	
		Detail.	11.02.08 MS			
		Insp.				
		Stand.				
34530		HARTING Electronics GmbH & Co. KG				TB 09 45 771 0xxx
Mod.	Dat.	Name	D-32339 ESPELKAMP	Sub.		

Alle Rechte vorbehalten/ All rights reserved

	1	2	3	4	5	6	7	8
	Cont. no.	Part number	Type of cable	Dim. a	Cont. no.	Part number	Type of cable	Dim. a
A	1	09 45 771 0062	4AWG 22/1 solid	0,5 m	52	09 45 771 0169	4AWG 22/7 trailing	6 m
	2	09 45 771 0063	4AWG 22/1 solid	1 m	53	09 45 771 0170	4AWG 22/7 trailing	7 m
	3	09 45 771 0064	4AWG 22/1 solid	1,5 m	54	09 45 771 0171	4AWG 22/7 trailing	8 m
	4	09 45 771 0065	4AWG 22/1 solid	2 m	55	09 45 771 0172	4AWG 22/7 trailing	9 m
	5	09 45 771 0066	4AWG 22/1 solid	3 m	56	09 45 771 0173	4AWG 22/7 trailing	10 m
	6	09 45 771 0067	4AWG 22/1 solid	4 m	57	09 45 771 0174	4AWG 22/7 trailing	15 m
	7	09 45 771 0068	4AWG 22/1 solid	5 m	58	09 45 771 0175	4AWG 22/7 trailing	20 m
	8	09 45 771 0069	4AWG 22/1 solid	6 m	59	09 45 771 0176	4AWG 22/7 trailing	30 m
	9	09 45 771 0070	4AWG 22/1 solid	7 m	60	09 45 771 0177	4AWG 22/7 trailing	40 m
B	10	09 45 771 0071	4AWG 22/1 solid	8 m	61	09 45 771 0178	4AWG 22/7 trailing	50 m
	11	09 45 771 0072	4AWG 22/1 solid	9 m	62	09 45 771 0179	4AWG 22/7 trailing	60 m
	12	09 45 771 0073	4AWG 22/1 solid	10 m	63	09 45 771 0180	4AWG 22/7 trailing	70 m
	13	09 45 771 0074	4AWG 22/1 solid	15 m	64	09 45 771 0181	4AWG 22/7 trailing	80 m
	14	09 45 771 0075	4AWG 22/1 solid	20 m	65	09 45 771 0182	4AWG 22/7 trailing	90 m
	15	09 45 771 0076	4AWG 22/1 solid	30 m	66	09 45 771 0183	4AWG 22/7 trailing	100 m
	16	09 45 771 0077	4AWG 22/1 solid	40 m	67	09 45 771 0100	4AWG 22/7 "outdoor"	0,5 m
	17	09 45 771 0078	4AWG 22/1 solid	50 m	68	09 45 771 0101	4AWG 22/7 "outdoor"	1 m
	18	09 45 771 0079	4AWG 22/1 solid	60 m	69	09 45 771 0102	4AWG 22/7 "outdoor"	1,5 m
	19	09 45 771 0080	4AWG 22/1 solid	70 m	70	09 45 771 0103	4AWG 22/7 "outdoor"	2 m
C	20	09 45 771 0081	4AWG 22/1 solid	80 m	71	09 45 771 0104	4AWG 22/7 "outdoor"	3 m
	21	09 45 771 0082	4AWG 22/1 solid	90 m	72	09 45 771 0105	4AWG 22/7 "outdoor"	4 m
	22	09 45 771 0083	4AWG 22/1 solid	100 m	73	09 45 771 0106	4AWG 22/7 "outdoor"	5 m
	23	09 45 771 0121	4AWG 22/7 stranded	0,5 m	74	09 45 771 0107	4AWG 22/7 "outdoor"	6 m
	24	09 45 771 0122	4AWG 22/7 stranded	1 m	75	09 45 771 0108	4AWG 22/7 "outdoor"	7 m
	25	09 45 771 0123	4AWG 22/7 stranded	1,5 m	76	09 45 771 0109	4AWG 22/7 "outdoor"	8 m
	26	09 45 771 0124	4AWG 22/7 stranded	2 m	77	09 45 771 0110	4AWG 22/7 "outdoor"	9 m
	27	09 45 771 0125	4AWG 22/7 stranded	3 m	78	09 45 771 0111	4AWG 22/7 "outdoor"	10 m
	28	09 45 771 0126	4AWG 22/7 stranded	4 m	79	09 45 771 0112	4AWG 22/7 "outdoor"	15 m
D	29	09 45 771 0127	4AWG 22/7 stranded	5 m	80	09 45 771 0113	4AWG 22/7 "outdoor"	20 m
	30	09 45 771 0128	4AWG 22/7 stranded	6 m	81	09 45 771 0114	4AWG 22/7 "outdoor"	30 m
	31	09 45 771 0129	4AWG 22/7 stranded	7 m	82	09 45 771 0115	4AWG 22/7 "outdoor"	40 m
	32	09 45 771 0130	4AWG 22/7 stranded	8 m	83	09 45 771 0116	4AWG 22/7 "outdoor"	50 m
	33	09 45 771 0131	4AWG 22/7 stranded	9 m	84	09 45 771 0117	4AWG 22/7 "outdoor"	60 m
	34	09 45 771 0151	4AWG 22/7 stranded	10 m	85	09 45 771 0118	4AWG 22/7 "outdoor"	70 m
	35	09 45 771 0152	4AWG 22/7 stranded	15 m	86	09 45 771 0119	4AWG 22/7 "outdoor"	80 m
	36	09 45 771 0153	4AWG 22/7 stranded	20 m	87	09 45 771 0120	4AWG 22/7 "outdoor"	90 m
	37	09 45 771 0154	4AWG 22/7 stranded	30 m	88	09 45 771 0132	4AWG 22/7 "outdoor"	100 m
	38	09 45 771 0155	4AWG 22/7 stranded	40 m				
E	39	09 45 771 0156	4AWG 22/7 stranded	50 m				
	40	09 45 771 0157	4AWG 22/7 stranded	60 m				
	41	09 45 771 0158	4AWG 22/7 stranded	70 m				
	42	09 45 771 0159	4AWG 22/7 stranded	80 m				
	43	09 45 771 0160	4AWG 22/7 stranded	90 m				
	44	09 45 771 0161	4AWG 22/7 stranded	100 m				
	45	09 45 771 0162	4AWG 22/7 trailing	0.5 m				
	46	09 45 771 0163	4AWG 22/7 trailing	1 m				
	47	09 45 771 0164	4AWG 22/7 trailing	1.5 m				
	48	09 45 771 0165	4AWG 22/7 trailing	2 m				
F	49	09 45 771 0166	4AWG 22/7 trailing	3 m				
	50	09 45 771 0167	4AWG 22/7 trailing	4 m				
	51	09 45 771 0168	4AWG 22/7 trailing	5 m				

For Information Only
won't be replaced when changed

	All Dimensions in mm Original Size DIN A 4		Techn. Character.			Nicht tolerierte Maß/Free size tolerances		
				Dat.	Name	Maßstab/Scale 2:1	RJ45 cord, IP20 overmolded, 4xAWG , 1x RJ45 plug, CAT 5	
				Detail.	11.02.08			MS
				Insp.				
			Stand.					
			HARTING Electronics GmbH & Co. KG D-32339 ESPELKAMP				TB 09 45 771 0xxx	
34530							Blatt/ page 2/2	
Mod.	Dat.	Name					Sub.	