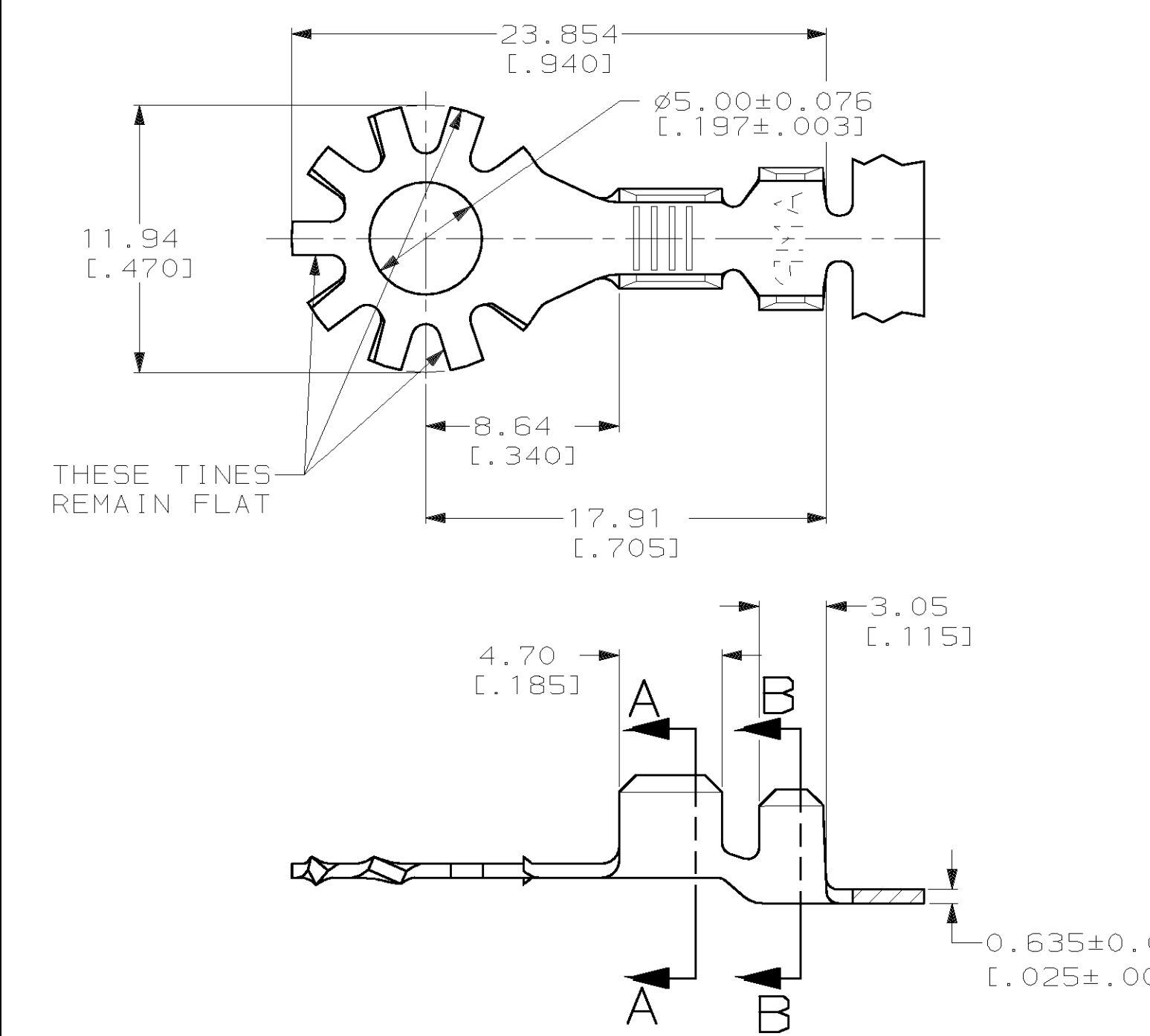
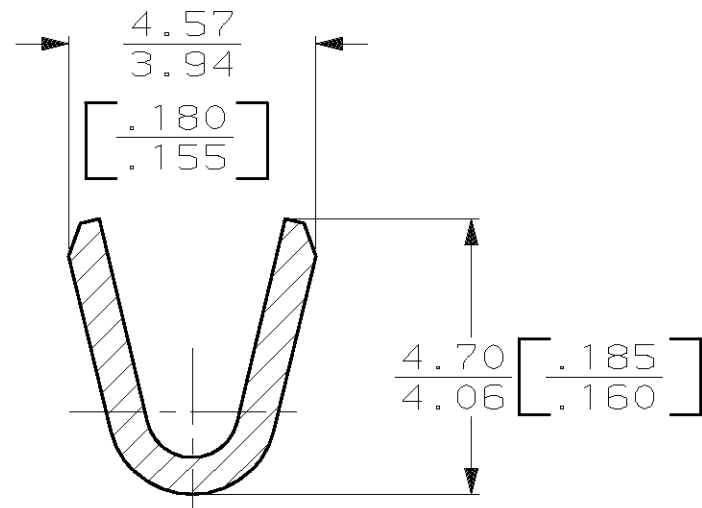


THIS DRAWING IS UNPUBLISHED. RELEASED FOR PUBLICATION ,19 .
 © COPYRIGHT 19 BY AMP INCORPORATED. ALL INTERNATIONAL RIGHTS RESERVED.

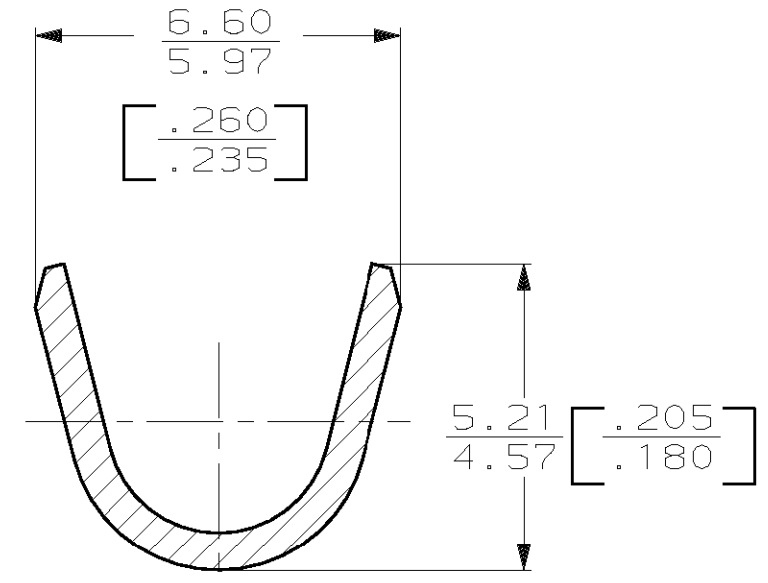
LOC	DIST	P	F	ZONE	LTR	DESCRIPTION	DATE	APPD
AF	50				B	REV PER 063A-0429-01	25JUL01	JR/DD



1 CONTINUOUS STRIP ON REEL.



SECTION A-A
SCALE 8:1



SECTION B-B
SCALE 8:1

THIS DRAWING IS A CONTROLLED DOCUMENT FOR AMP INCORPORATED. IT IS SUBJECT TO CHANGE AND THE CONTROLLING ENGINEERING ORGANIZATION SHOULD BE CONTACTED FOR THE LATEST REVISION.

2.16-3.56 DIA [.085-.140]		0.8-2.0mm ² [18-14] AWG	63707-1
INSULATION RANGE		WIRE RANGE	PART NO
DO NOT SCALE PRINT. UNLESS SPECIFIED DIMENSIONS IN mm [INCHES] TOLERANCES ON: 2 PLC DEC ± 0.25 [.010] 3 PLC DEC ± - ANGLES ± -		AMP AMP Incorporated Harrisburg, PA 17105-3608	
MATERIAL H04 BRASS		NAME RING, ANTI-ROTATIONAL, EXTERNAL	
FINISH -		SIZE B	CAGE CODE 00779
		DRAWING NO C-63707	
		SCALE 4:1	SHEET 1 OF 1