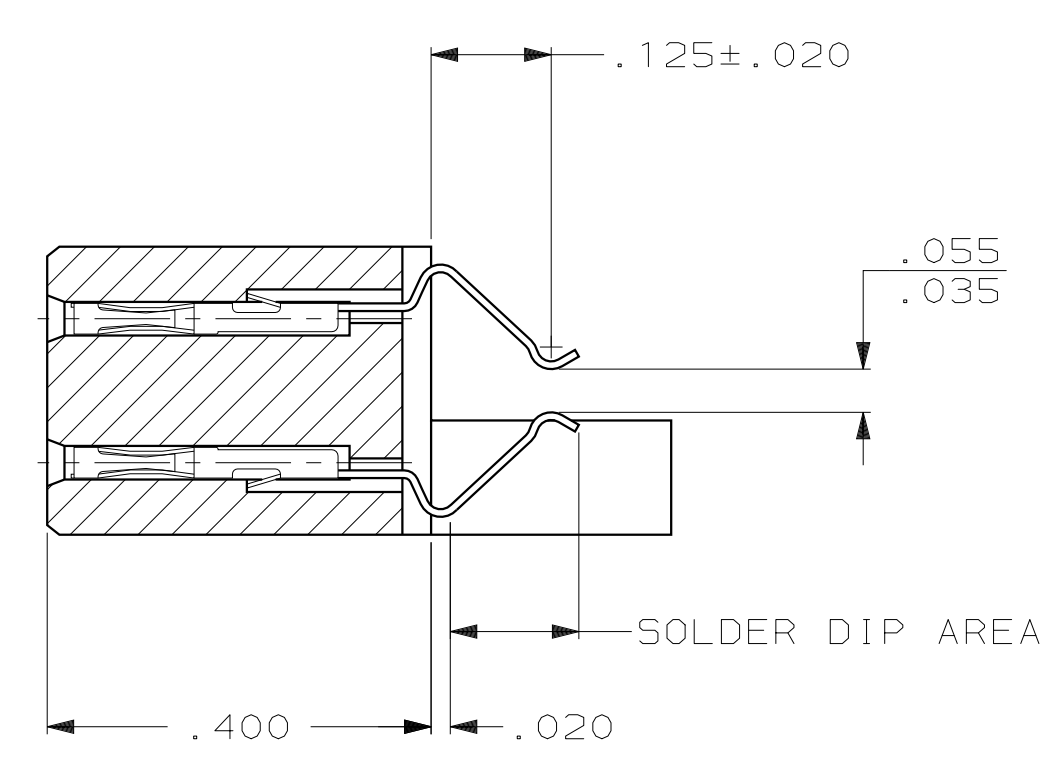
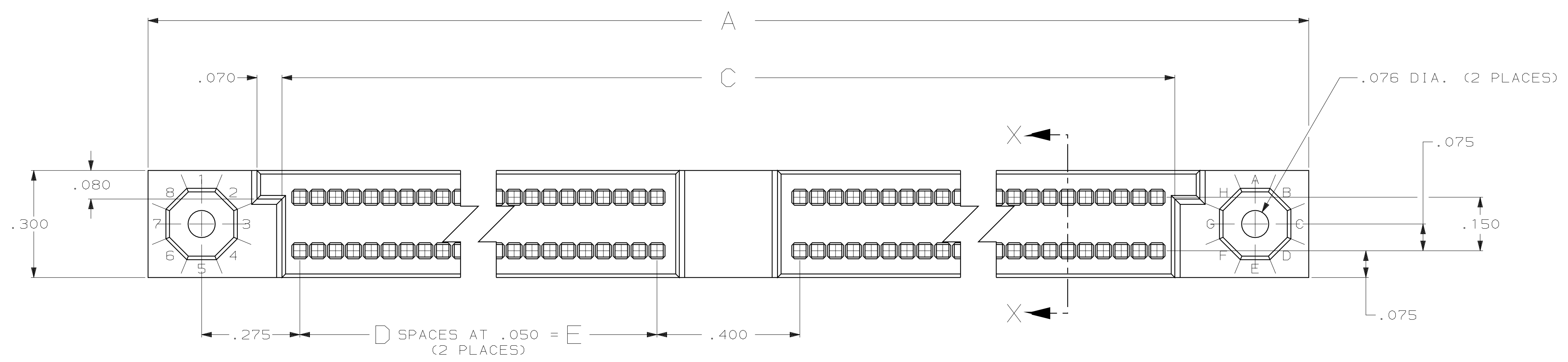
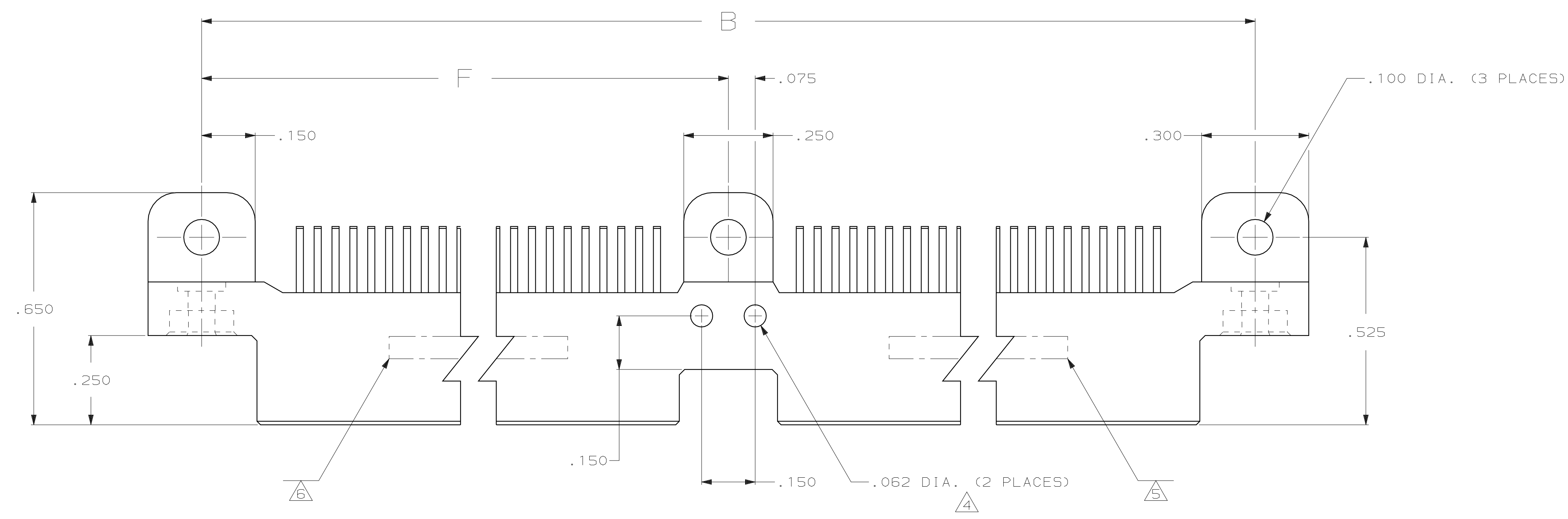


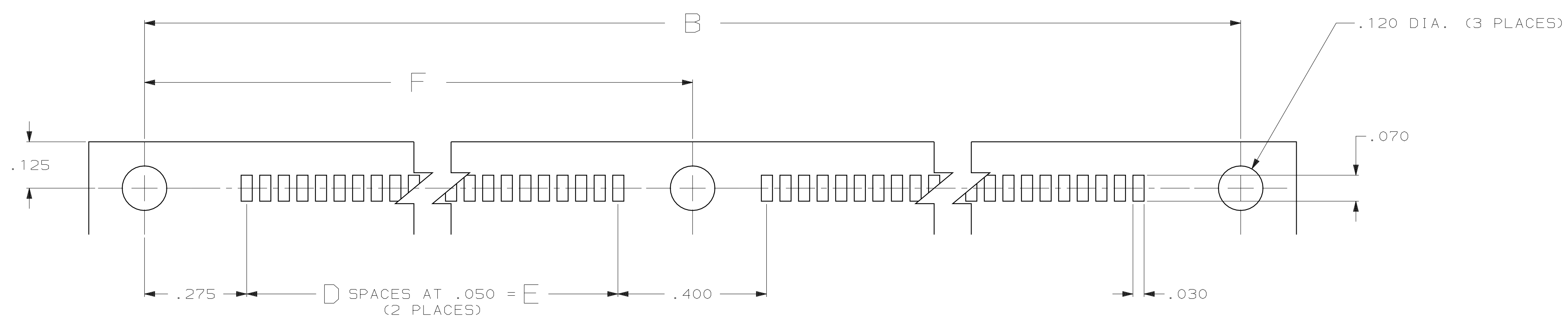
DRAWING MADE IN THIRD ANGLE PROJECTION
 THIS DRAWING IS UNPUBLISHED. RELEASED FOR PUBLICATION, 19...
 © COPYRIGHT 19... BY AMP INCORPORATED, HARRISBURG, PA. ALL INTERNATIONAL RIGHTS RESERVED. AMP PRODUCTS MAY BE COVERED BY U.S. AND FOREIGN PATENTS AND/OR PATENTS PENDING.

LOC		DIST		P		ZONE		LTR		REVISIONS		DATE	APPD
DF	TO									DESCRIPTION			
									J	REV PER ECO 05-10076	CT	10-6-05	DN



UNLESS OTHERWISE SPECIFIED DIMENSIONS ARE IN INCHES TOLERANCES ON:	DR 10/16/86	AMP INCORPORATED Harrisburg, Pa. 17105
	R. SEIFRIED	
2 PL DEC ± 3 PL DEC ±.005 ANGLES ±	CHK 10/16/86	NAME HDI SERIES 050, RECEPTACLE SURFACE MOUNT ASSEMBLY, 2 ROW, POLARIZER AND OCTOGANAL KEYING, ONE CENTER MOUNTING HOLE, .000050 GOLD, .050 x .150C/L, .125 TAILS, .062 BOARD
	R. SEIFRIED	
MATERIAL	APPD 10/16/86	SIZE FSCM NO DRAWING NO D 00779 534467
	R. SEIFRIED	
FINISH	PRODUCT SPEC	SCALE 5:1 SHEET 1 of 2
	APPLICATION SPEC	
	WEIGHT	

LOC		DIST		P		F		ZONE		LTR		REVISIONS			
DF	TO											DESCRIPTION	DATE	APPD	
												J	SEE SHEET 1		



RECOMMENDED P.C. BOARD LAYOUT

- ① HOUSING MATERIAL: PLOYPHENYLENE SULFIDE, COLOR-NATURAL (BROWN).
- ② CONTACT MATERIAL: BERYLLIUM COPPER.
- ③ CONTACT FINISH: .000050 GOLD IN CONTACT AREA, OVER .000050-.000100 NICKEL UNDERPLATE. TIN-LEAD PLATED TAILS.
- ④ TOOL HOLE FOR SUB-ASSEMBLY ALIGNMENT FIXTURE OR 1/16 ROLL PIN.
- ⑤ MARK AMP, PART NUMBER, AND DATE CODE IN APPROXIMATE AREA SHOWN, PER AMP SPEC 115-9009.
- ⑥ MARK 5188913-001 IN APPROXIMATE AREA SHOWN PER AMP SPEC 115-9009.

2.925	2.450	49	5.400	5.850	6.150	200	534467-4
2.025	1.550	31	3.600	4.050	4.350	128	⑥ 534467-1
F	E	D	C	B	A	POS	PART NUMBER

UNLESS OTHERWISE SPECIFIED DIMENSIONS ARE IN INCHES TOLERANCES ON : 2 PL DEC ± 3 PL DEC ±.005 ANGLES ±	DR 10/16/86 R. SEIFRIED	AMP INCORPORATED Harrisburg, Pa. 17105
	CHK 10/16/86 R. SEIFRIED	
MATERIAL ① ②	APPD 10/16/86 R. SEIFRIED	NAME HDI SERIES 050, RECEPTACLE SURFACE MOUNT ASSEMBLY, 2 ROW, POLARIZER AND OCTOGANAL KEYING, ONE CENTER MOUNTING HOLE, .000050 GOLD, .050 x .150C/L, .125 TAILS, .062 BOARD
	APPD 10/16/86 R. SEIFRIED	
FINISH ③	PRODUCT SPEC	SIZE FSCM NO DRAWING NO D 00779 534467
	APPLICATION SPEC	SCALE 5:1 SHEET 2 of 2
	WEIGHT	