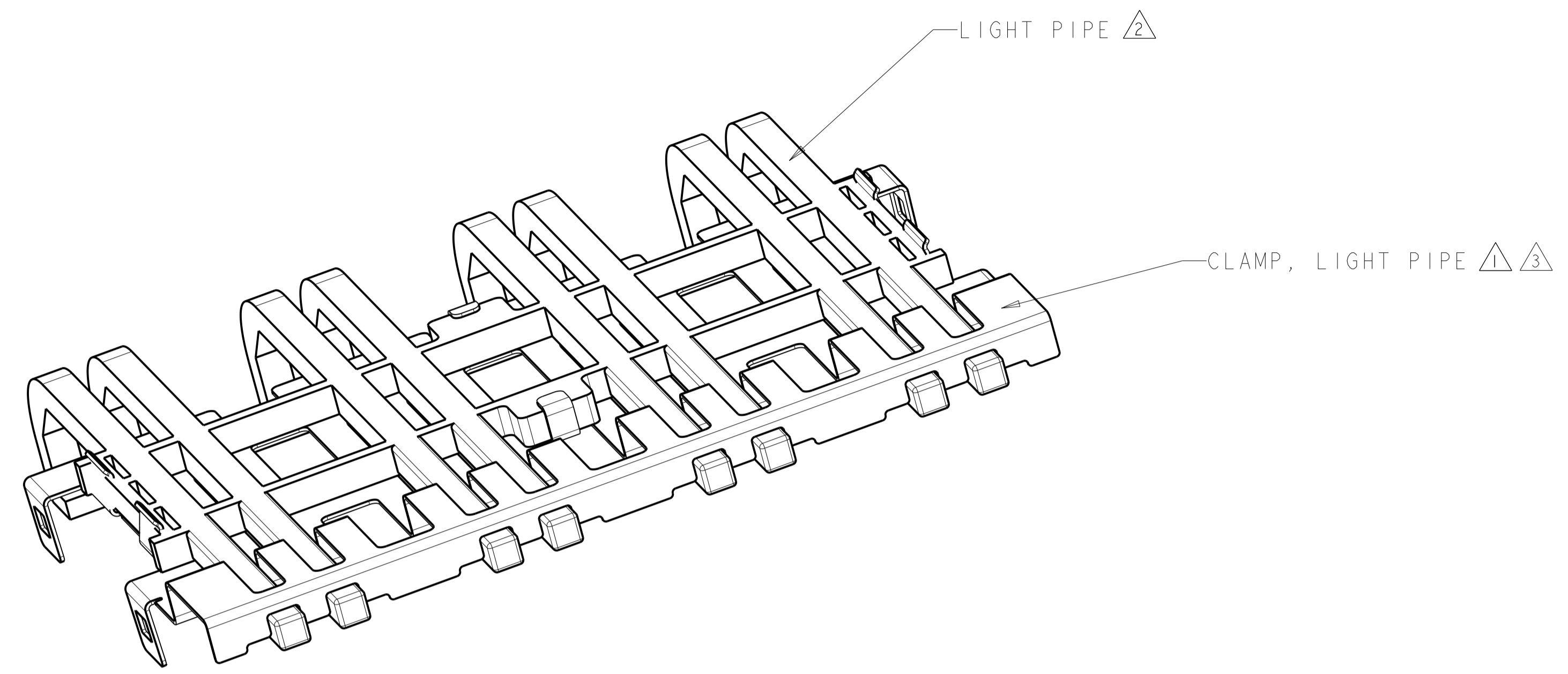
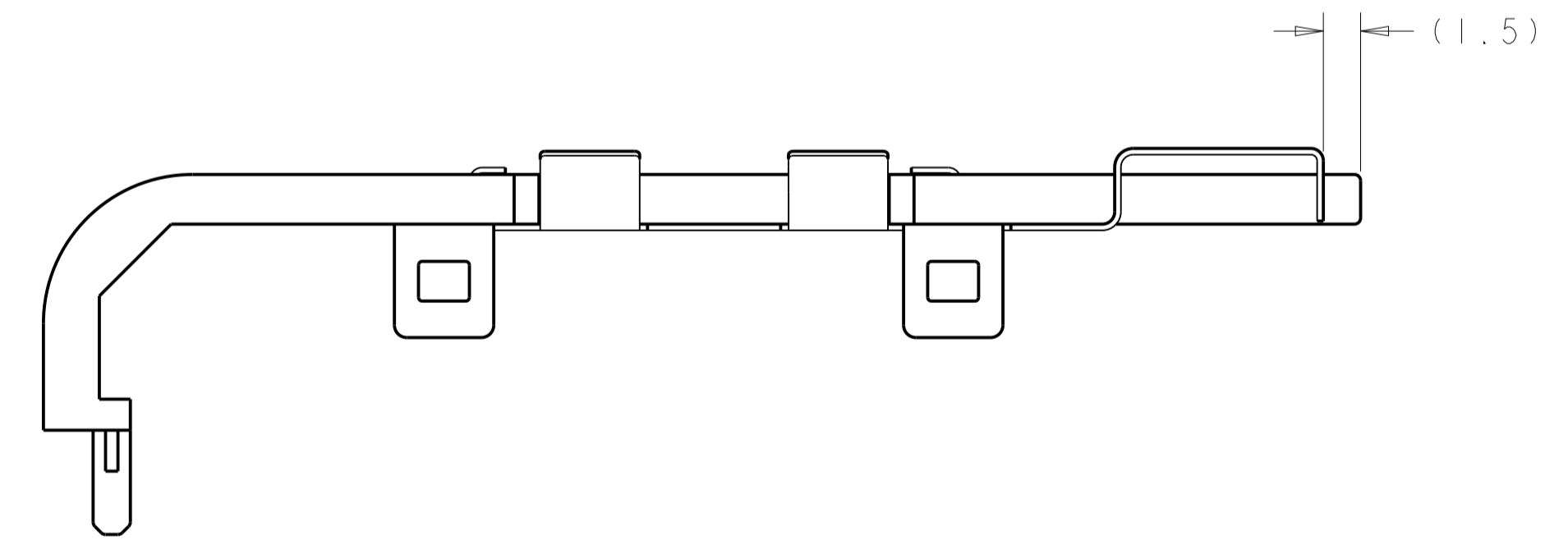
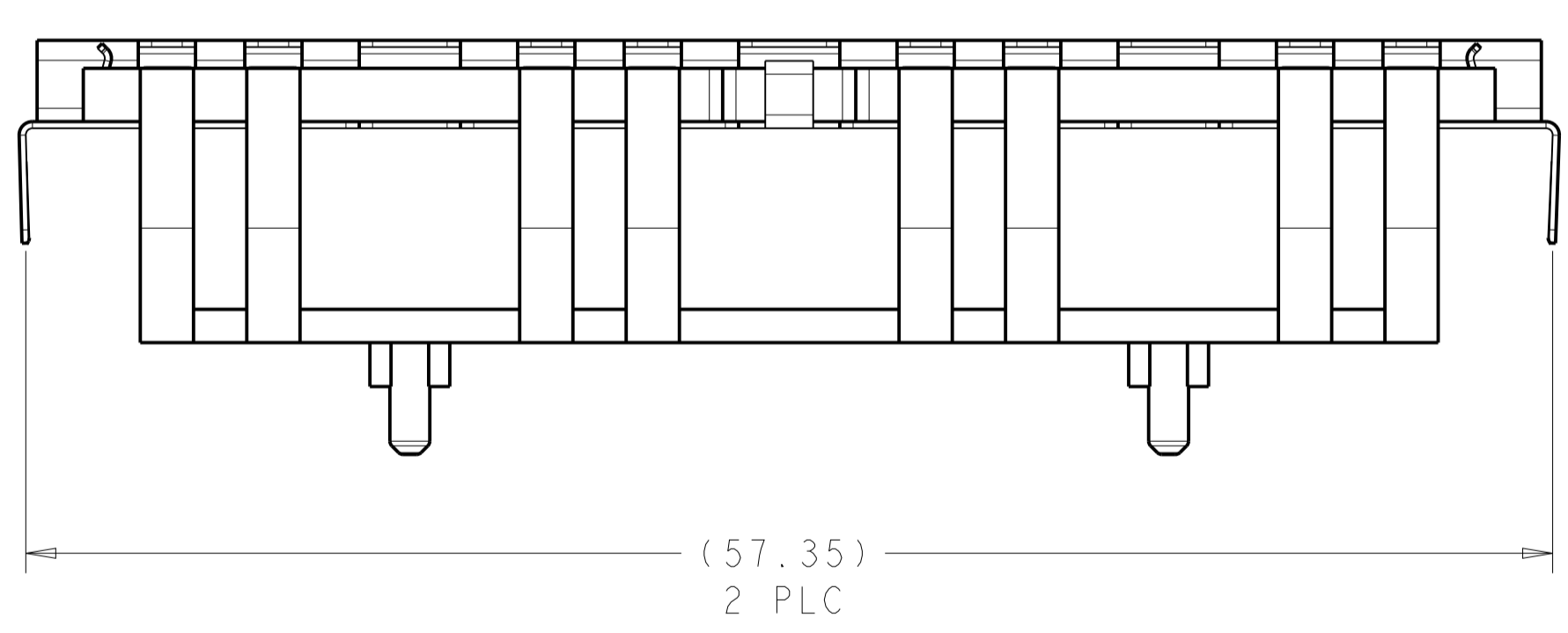


LOC	DIST	REVISIONS					
		P.	LTN	DESCRIPTION	DATE	DWN	APVD
GP	00			PROPOSED DESIGN	09MAR2004	WVS	MJP
		A		RELEASED PER EC-OS13-0325-04	08JUL2004	MHC	JRK
		A1		REVISED PER ECO-07-011809	21MAY2007	ZMR	JRK
		A2		REVISED PER ECO-14-010419	11JUL2014	JW	SH



- △ COPPER ALLOY, TIN PLATED PER ASTM B 545, 1.25 μm MINIMUM THICKNESS, OVER NICKEL FLASH PER QQ-N-290. NON PLATED EDGES ARE PERMISSIBLE
- △ POLYCARBONATE, CLEAR.
- △ NICKEL SILVER ALLOY (NO PLATING)



CLAMP MATERIAL	DESCRIPTION	PART NO
△3	1X4 LIGHT PIPE KIT	1761012-3
△1	1X4 LIGHT PIPE KIT	1761012-1

THIS DRAWING IS A CONTROLLED DOCUMENT.		DWN W. VAN SCOY 09MAR2004		
DIMENSIONS:		CHK M. J. PHILLIPS 09MAR2004		
mm	TOLERANCES UNLESS OTHERWISE SPECIFIED:	APVD M. J. PHILLIPS 09MAR2004	NAME ASSEMBLY, LIGHT PIPE KIT 1X4, SFP	
0 PLC ±	1 PLC ±0.10	PRODUCT SPEC	SIZE A1	CAGE CODE C=1761012
2 PLC ±	3 PLC ±	APPLICATION SPEC	RESTRICTED TO	
4 PLC ±	ANGLES ±2°	114-13120	SCALE 4:1	SHEET 1 OF 1
MATERIAL	FINISH	WEIGHT	REV A2	
CUSTOMER DRAWING				