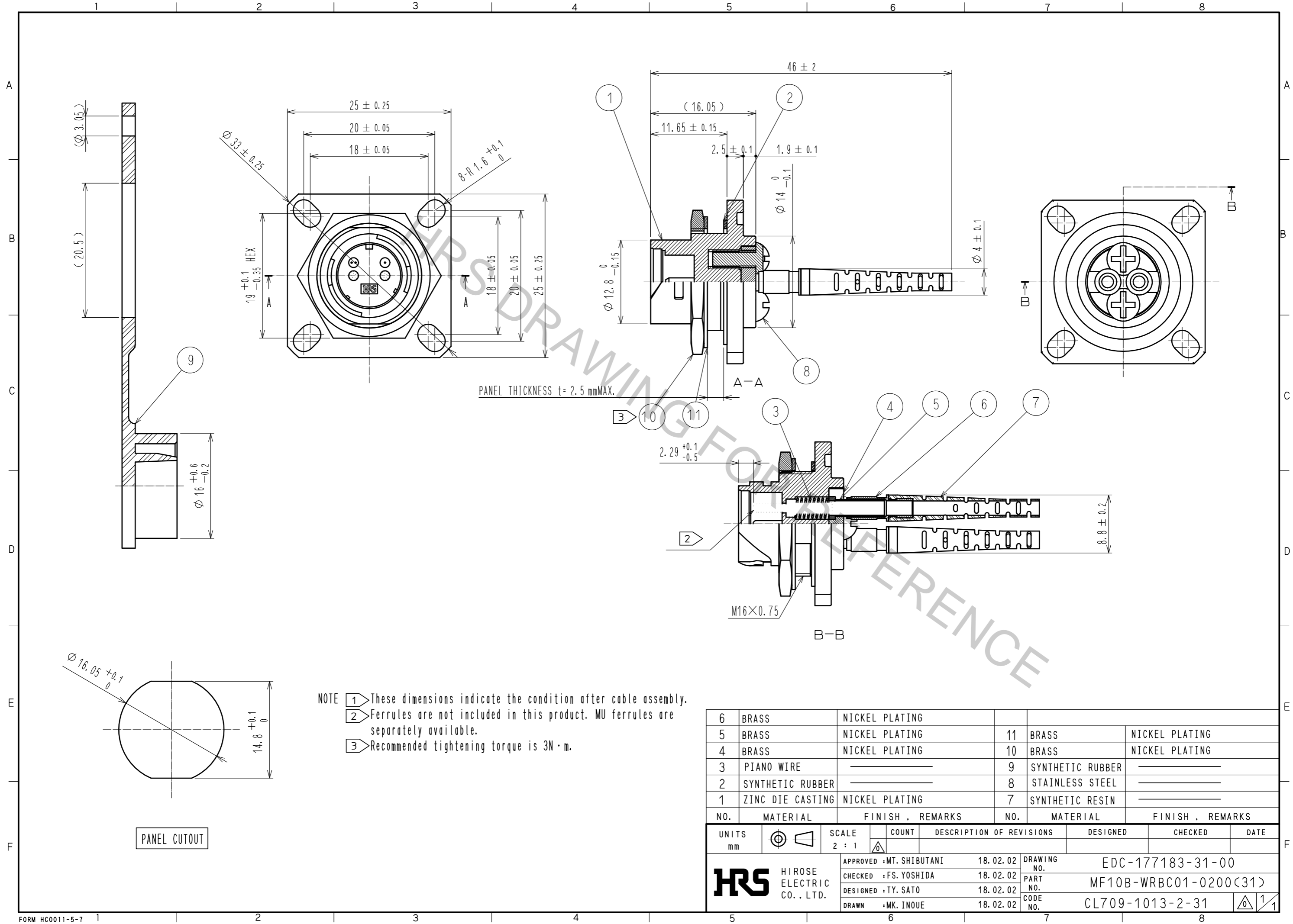


Aug.1.2018 Copyright 2018 HIROSE ELECTRIC CO., LTD. All Rights Reserved.
 In case that the application demands a high level of reliability, such as automotive,
 please contact a company representative for further information.



NOTE
 ① These dimensions indicate the condition after cable assembly.
 ② Ferrules are not included in this product. MU ferrules are separately available.
 ③ Recommended tightening torque is 3N·m.

6	BRASS	NICKEL PLATING			
5	BRASS	NICKEL PLATING	11	BRASS	NICKEL PLATING
4	BRASS	NICKEL PLATING	10	BRASS	NICKEL PLATING
3	PIANO WIRE		9	SYNTHETIC RUBBER	
2	SYNTHETIC RUBBER		8	STAINLESS STEEL	
1	ZINC DIE CASTING	NICKEL PLATING	7	SYNTHETIC RESIN	
NO.	MATERIAL	FINISH . REMARKS	NO.	MATERIAL	FINISH . REMARKS

UNITS mm		SCALE 2 : 1	COUNT 	DESCRIPTION OF REVISIONS	DESIGNED	CHECKED	DATE
HRS HIROSE ELECTRIC CO., LTD.		APPROVED : MT. SHIBUTANI	18.02.02	DRAWING NO.	EDC-177183-31-00		
		CHECKED : FS. YOSHIDA	18.02.02	PART NO.	MF10B-WRBC01-0200(31)		
		DESIGNED : TY. SATO	18.02.02	CODE NO.	CL709-1013-2-31		
		DRAWN : MK. INOUE	18.02.02		1/1		