

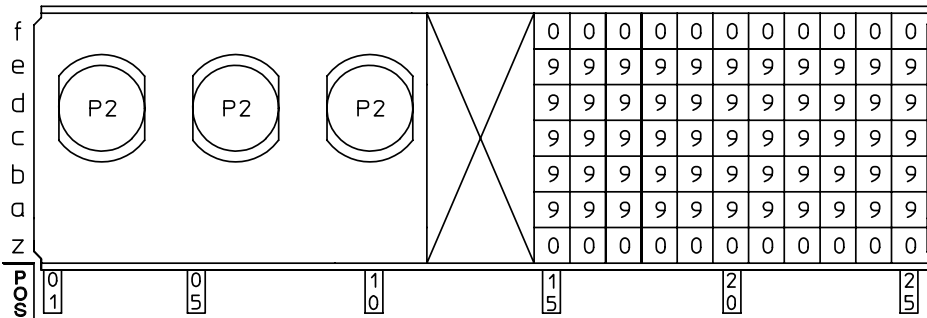
BS,C ,202498,019

C

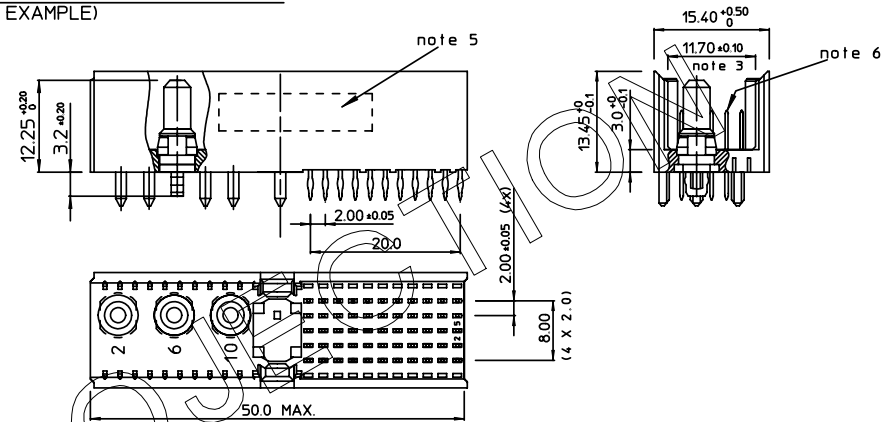
GEN. ST.	01	02	03	04	05	06	07	08	0D	50	60	70	80	90																	
INT. ST.	10	11	12	13	14	18	20	31	32	33	34	38	39	40	42	43	44	45	46	48	56	70	72	73	75	76	81	82	83	84	88

REV.	DATE	DESCRIPTION	BY	C'K'D'
A	2005-04-20	105-0060	ALEX B	BKP
B	2005-08-12	105-0140	ALEX B	BKP
C	2006-08-08	106-0144	VIVEK	BKP

LOADING PATTERN MATING SIDE



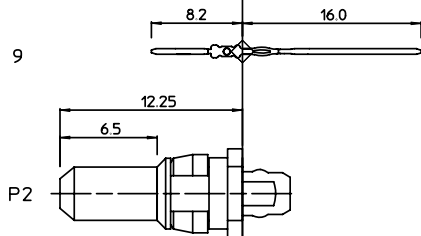
LOADED CONNECTOR ASSEMBLY (FOR EXAMPLE)



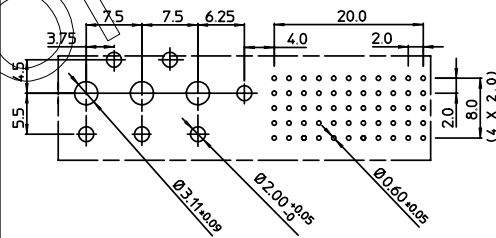
SHEET NR. : 8

CONTACT OVERVIEW

SEATING PLANE FOR CONNECTOR



LAY-OUT P.C.B.-HOLE



PLATING

POWER CONTACTS -> 1.5 µm Au over 2.0 µm Ni
LEAD FREE INDICATOR : LF-LEAD FREE (DIGIT 15 & 16)

-SIGN.CONT.-> HM2A31PG60W0

PLATING CODE (DIGIT 13 AND 14)
(REF DRW No BS,C ,2018444,003)

NOTES

- THIS PRODUCT IS CSA APPROVED.
- THIS PRODUCT IS UL RECOGNIZED.
- MEASURED AT THE BOTTOM.
- MATERIAL CONTACT: PHOSPHORBRONZE
HOUSING: CREAM WHITE GLASFILLED POLYESTER UL-94V0
- CONNECTOR PRINTED WITH P/N AND DATE CODE.
- FOR ACTUAL CONTACT LOADINGS, SEE LOADING PATTERN MATING SIDE.
- THE PRODUCT (LF) MEETS EUROPEAN UNION DIRECTIVES AND OTHER COUNTRY REGULATIONS AS DESCRIBED IN GS-22-008
- PCB HOLE DEFINITION
- 1 FOR PTH DETAILS OF SIGNAL CONTACTS REFER BS,A ,201572,001
- 2 FOR PTH DETAILS OF POWER CONTACTS

Ø drilled hole	Cu plating	SnPb/Sn plating	Ø finished hole
3.19 - 3.25	25 µm min.	5 µm min.	3.02 - 3.20

EUROPEAN

THIS IS OUR EXCLUSIVE PROPERTY. IT IS NOT TO BE COPIED, REPRINTED OR DISCLOSED TO A THIRD PARTY, NOR USED FOR MANUFACTURING WITHOUT OUR WRITTEN CONSENT, AND HAS TO BE RETURNED TO US IN CASE OF NO USAGE

DIT IS ONZE EIGENDOM EN HAN HOCH NAGEMAAKT. HERDRUKT, OVERGEMAAKT AAN DERDEN, NOCH VOOR FABRIKANTE GEBRUIKT WORDEN, ZONDER ONZE SCHRIFTELIJKE TOELATING, BIJ NIET GEBRUIK IS TERUGZENDING VERPLICHT.

1DEC ±0.2 2DEC ±0.1 ANGLES ±1°	APPR. DRAFT CHECKED	DATE 2005-04-20	SIGN. ALEX B	LOADING PATTERN / TYPE M / PRE-ASS. CONN. CAT. No. HM2A31PG60W0----
WE RESERVE THE RIGHT TO CHANGE DIMENSIONS OR REQUIREMENTS WITHOUT PRIOR NOTICE.	PROD. MGR. PR. ENG. MGR. PR. MGT. MGR.			SCALE
ALL DIMENSIONS IN MM	REFERENCES			www.fciconnect.com
				BS,C ,202498,019 DRAWING No. CUSTOMER DRAWING
				C REVISION