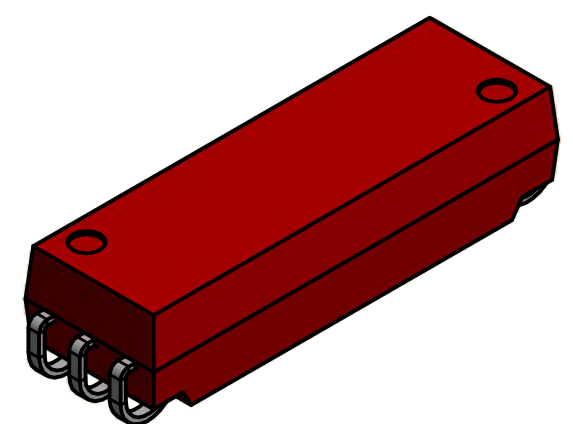
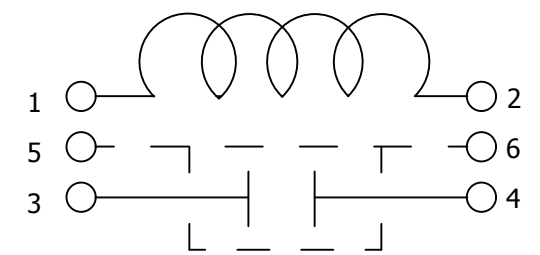
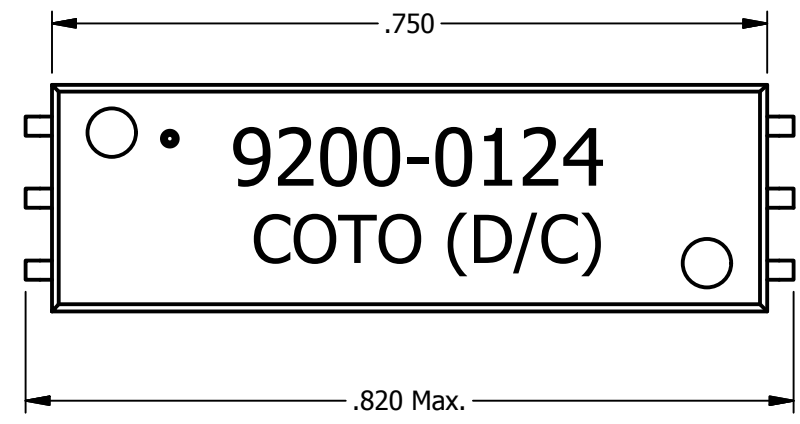
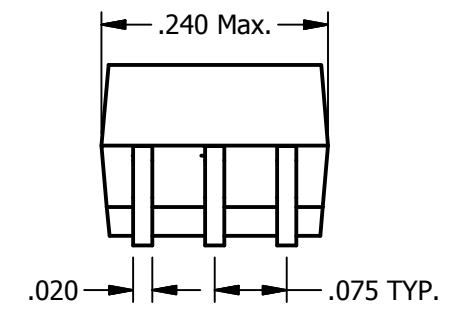
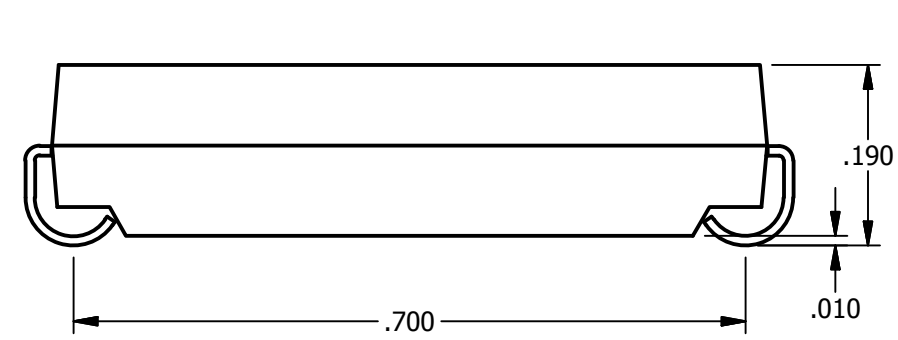


TEST PARAMETERS		CONDITIONS	MIN	NOM	MAX	UNITS
ELECTRICAL						
COIL RESISTANCE			135	150	165	Ω
NOMINAL VOLTAGE				5.0		V
MUST OPERATE					3.75	V
MUST RELEASE			0.4			V
SWITCHING VOLTAGE					200	V
SWITCHING CURRENT					0.5	A
CARRY CURRENT					1.5	A
CONTACT RATING	SWITCHING				10.0	W
LIFE EXPECTANCY	SIGNAL LOAD	1 VOLT 30 mAmps		10 ⁹		OPERATIONS
	MEDIUM LOAD	CONTACT FACTORY		N/A		
	HIGH LOAD	CONTACT FACTORY		N/A		
STATIC CONTACT RESISTANCE		0.5 V, 10 mA, 50 mSEC AFTER COIL ENERG.			0.150	Ω
DYNAMIC CONTACT RESISTANCE		0.50 V, 50 mA, 100 Hz, 1.5 mSEC			0.200	Ω
INSULATION RESISTANCE	ACROSS OPEN CONTACTS	AT 100 VDC	10 ¹²			Ω
	CONTACT TO COIL		10 ¹²			Ω
	COIL TO SHIELD		N/A			Ω
	CONTACT TO SHIELD		N/A			Ω
CAPACITANCE	CONTACT GAP		0.8			pF
	CONTACT TO COIL		0.1			
DIELECTRIC STRENGTH	CONTACT GAP	DC / PEAK AC	300			V
	CONTACT TO SHIELD		1500			
	CONTACT TO COIL		1500			
OPERATE TIME	INCLUDING BOUNCE	AT NOMINAL VOLTAGE		0.4		mSEC
RELEASE TIME	ZENER DIODE DAMPED	30 Hz SQUARE WAVE		0.1		

NOTES:
 1 ALL PARAMETERS SPECIFIED PER EIA/MWM STANDARDS FOR DRY REED RELAYS, NO IBS-421 & RS-436 UNLESS OTHERWISE NOTED, ALL PARAMETERS SPECIFIED @ 25C & 40% RH.
 2 SURFACE MOUNT COMPONENT PROCESSING TEMPERATURE: 500°F / 260°C MAX FOR 1 MINUTE DWEIL TIME. TEMPERATURE MEASURED ON LEADS WHERE LEAD EXITS MOLDED PACKAGE.
 3 COPLANARITY WITHIN .005 ALL LEADS
 4 SKEW WITHIN .005 ALL LEADS
 5 LEAD FRAME .010 ± .001 THICK
ENVIRONMENTAL RATINGS
 STORAGE TEMPERATURE: -35C TO +100C
 OPERATING TEMPERATURE: -20C TO +85C

REVISION HISTORY					
ZONE	REV	ECN	DESCRIPTION	DATE	REV BY
n/a	A	15-0012	NEW CUSATOM P/N DERIVATIVE	01/16/15	I.D.



APPROVALS REQUIRED		UNLESS OTHERWISE SPECIFIED ALL DIMENSIONS ARE IN INCHES XX = ± .010 XXX = ± .005 XXXX = ± .001 FRACTIONS = 1/64 ANGLES = ± 2° THIRD ANGLE PROJECTION DO NOT SCALE THIS DRAWING	66 WHITECAP DRIVE NORTH KINGSTOWN, RI 02886 USA PH: 401.943.2686 www.COTORELAY.com	
DRAWN BY Ivan Diaz	DATE 1/12/2015			
CHECKED BY	DATE			
QA APPROVAL BY REF. LATEST ECO	DATE	COTO DWG NAME ANSI B TEMPLATE		
MFG APPROVAL BY REF. LATEST ECO	DATE	COTO DWG# 9200-0124		
ENG APPROVAL BY REF. LATEST ECO	DATE	CUST./SPL. NAME G. E.		
MATERIAL	FINISH	CUST./SPL. DWG# 9200-0124		
		SIZE B	SCALE FOR SERIES 9202	SHEETS 1 OF 1