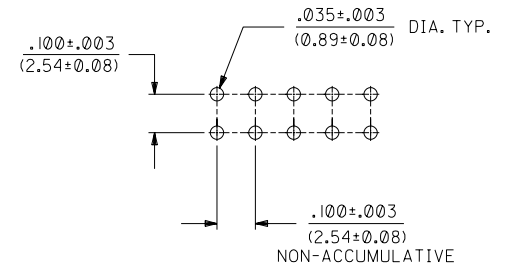


NOTES:

- 1 - HOUSING MATERIAL: GLASS FILLED POLYESTER, UL 94V-0. COLOR: BLACK
- 2 - TERMINAL MATERIAL: PHOSPHOR BRONZE
- 3 - SEE ADDITIONAL SHEETS FOR CHARTS, PLATINGS, AND OVERALL DIMENSIONS
- 4 - THIS PRODUCT CONFORMS TO PS-70181.

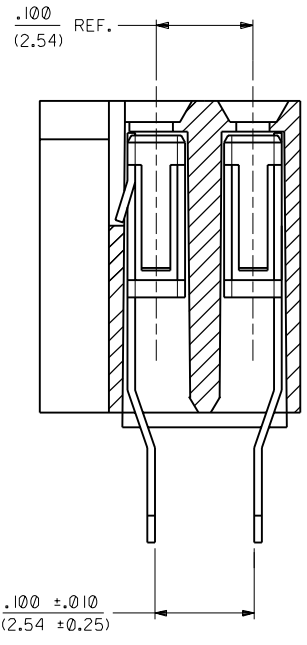
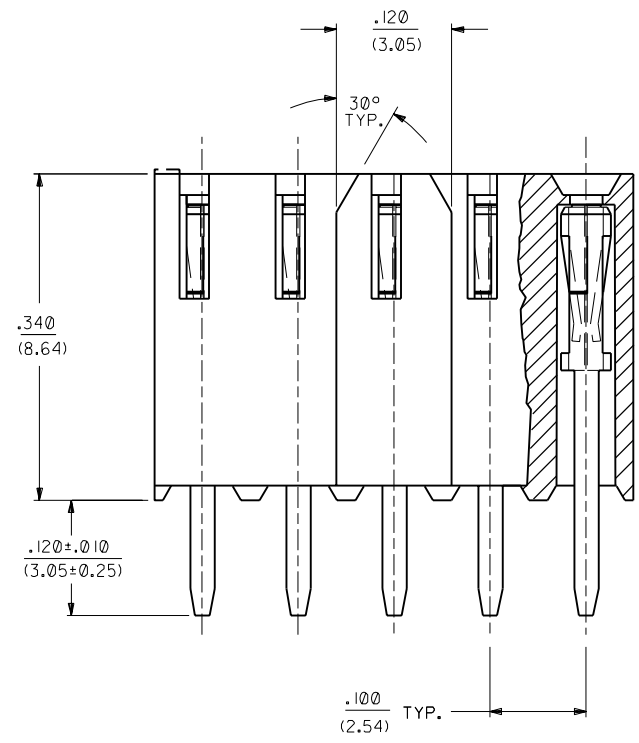
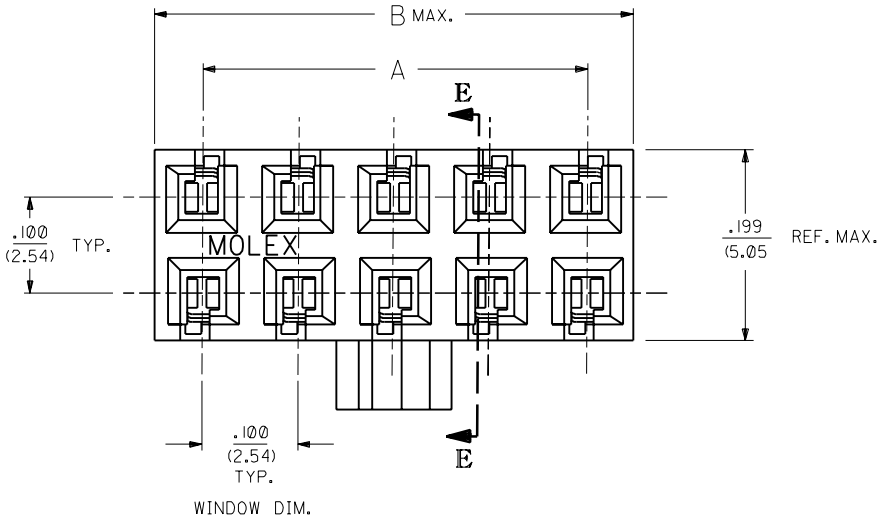


RECOMMENDED P.C. BOARD HOLE LAYOUT
SCALE = 4:1

| | |
|---|---|
| C | LEAD FREE UCP2004-1770 RWHITE 04/04/28 |
| B | CHANGE PACK SPEC ECN# UDT2000-0503 DMORGAN 99/12/09 |
| A | REVISE PLATE & BOX PER U3 0572 09/10/93 MURPHY |

| MFG. | SH. | REV. | LTR. | REVISIONS |
|------|-----|------|------|-----------|
| 3 | C | | | |
| 2 | A | | | |
| 1 | C | | | |

| DIMENSIONS SHOWN (METRIC) INCH UNLESS OTHERWISE SPECIFIED TOLERANCES: ANGULAR ± 1/2° | | ▽ = 0 ▼ = 0 | | REVISE ONLY ON CAD SYSTEM | | | | | | | | | | | | | |
|--|--------|--|------|-----------------------------|---------|--------|-----|---------|--------|--------|---------|-----|--------|---|--|-------------------------------------|--|
| <table border="1"> <tr> <th></th> <th>INCH</th> <th>METRIC</th> </tr> <tr> <td>3 PLACE</td> <td>± .010</td> <td>---</td> </tr> <tr> <td>2 PLACE</td> <td>± .014</td> <td>± 0.25</td> </tr> <tr> <td>1 PLACE</td> <td>---</td> <td>± 0.35</td> </tr> </table> | | | INCH | METRIC | 3 PLACE | ± .010 | --- | 2 PLACE | ± .014 | ± 0.25 | 1 PLACE | --- | ± 0.35 | TITLE CONNECTOR VERT MOUNT DUAL ROW (TOP ENTRY) .100 X .10 P.C TAIL GRID | | SHEET NO. U.S.A. 1 OF 3 09/10/93 | |
| | INCH | METRIC | | | | | | | | | | | | | | | |
| 3 PLACE | ± .010 | --- | | | | | | | | | | | | | | | |
| 2 PLACE | ± .014 | ± 0.25 | | | | | | | | | | | | | | | |
| 1 PLACE | --- | ± 0.35 | | | | | | | | | | | | | | | |
| DRAFT WHERE APPLICABLE MUST REMAIN WITHIN DIMENSIONS | | PART NO. MOLEX INCORPORATED LISLE, ILL. 60532 | | DATE U.S.A. 09/10/93 | | | | | | | | | | | | | |
| DRWG. BY: PM APP'D. BY: PM | | CHK'D. BY: PM SCALE: 10:1 | | SEE CHART SDA-70192-**** | | | | | | | | | | | | | |
| FILE NAME SA70192X1 DGN | | THIS DRAWING CONTAINS INFORMATION THAT IS PROPRIETARY TO MOLEX INC. AND SHOULD NOT BE USED WITHOUT WRITTEN PERMISSION | | DIV. DA SIZE C | | | | | | | | | | | | | |



NOTES:
1 - SEE SHEET I FOR APPLICABLE NOTES.

**SINGAPORE ONLY
OPTION -F-
WITH POLARIZING KEY**

A SEE SHEET I

| | | | | | |
|--|--|----------------------------------|--|--|--|
| DIMENSIONS SHOWN (METRIC) INCH | | ▽ = 0 ▼ = 0 | | REVISE ONLY ON CAD SYSTEM | |
| UNLESS OTHERWISE SPECIFIED TOLERANCES ANGULAR ± 1/2° | | TITLE | | | |
| 3 PLACE ± | | CONNECTOR, VERT. MOUNT, DUAL ROW | | | |
| 2 PLACE ± | | (TOP ENTRY) .100 X .100 | | | |
| 1 PLACE ± | | P.C. TAIL GRID | | | |
| DRAFT WHERE APPLICABLE MUST REMAIN WITHIN DIMENSIONS | | MOLEX INCORPORATED | | SHEET NO. DATE | |
| | | L15LEJLL 69532 U.S.A. | | 2 07/17/90 | |
| DRAWN BY: PM | | CHK'D BY: PM | | PART NO. DRWG. NO. | |
| APP'D BY: PM | | SCALE: : | | SEE CHART SDA-70192-0000 | |
| | | FILE NAME: SA70192X2.DWG | | THIS DRAWING CONTAINS INFORMATION THAT IS PROPRIETARY TO MOLEX INC. AND SHOULD NOT BE USED WITHOUT WRITTEN PERMISSION. | |

