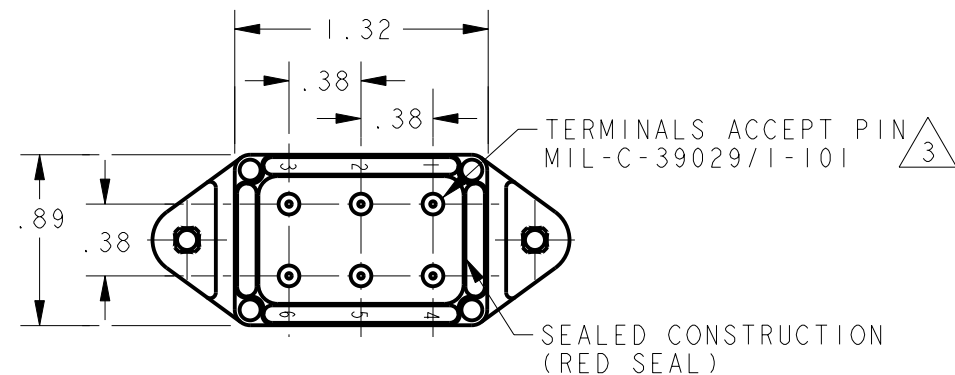
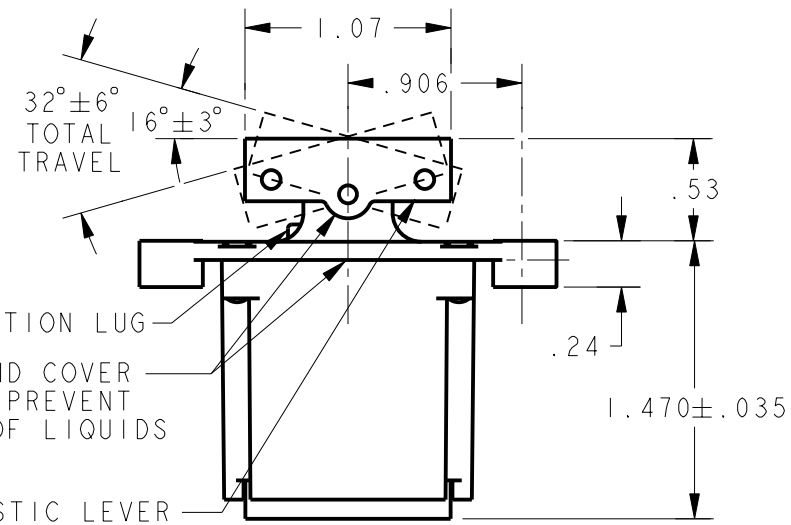
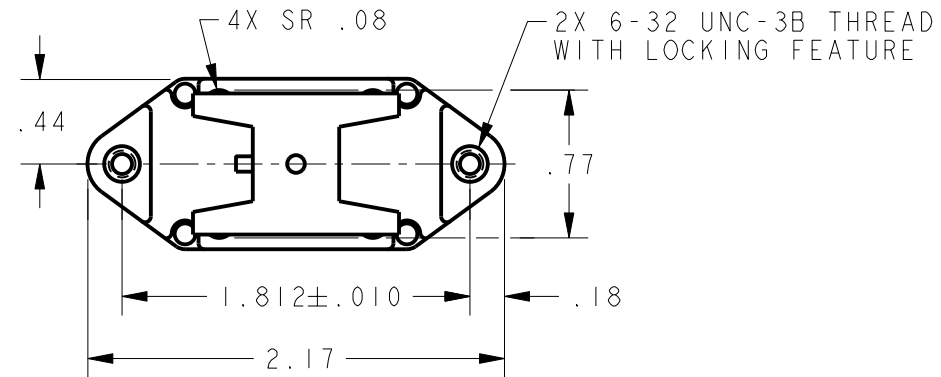
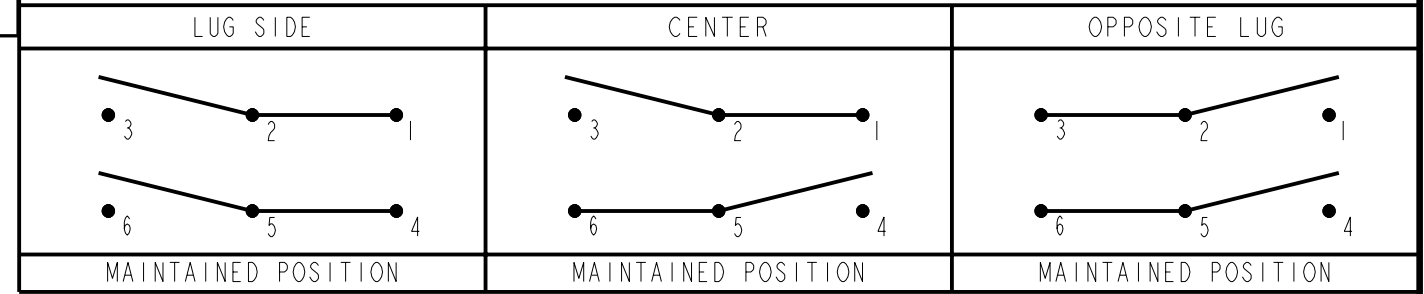


**SWITCH-TOGGLE  
ABOVE PANEL MOUNT**

CATALOG LISTING  
**102TP82-10**

THIS DRAWING COVERS A PROPRIETARY ITEM AND IS THE PROPERTY OF MICRO SWITCH. A DIVISION OF HONEYWELL. THIS DRAWING IS NOT TO BE COPIED OR USED WITHOUT THE APPROVAL OF MICRO SWITCH

CIRCUIT MADE WITH TOGGLE LEVER IN



ELECTRICAL DATA
L191 15A 125, 250, 277 VAC 1/2HP 125 VAC 1HP 250, 277 VAC 5A 125 VAC "L"

- NOTES
- 1 - CIRCUIT DESIGNATION AND MICRO SWITCH CATALOG LISTING MARKED ON SIDE OF SWITCH
  - 2 - SWITCHES ARE CAPABLE OF WITHSTANDING A TEMPERATURE OF 160°F CONTINUOUSLY AT FULL RATED LOAD
  - 3 - THE SEALING GROMMET SHALL SEAL ON A SMOOTH WIRE INSULATION OF  $\phi .040$  TO  $\phi .083$  (16-20 GAGE)
  - 4 - UNUSED TERMINAL HOLES MAY BE SEALED WITH PLUGS M83723/28-20

THIRD ANGLE PROJECTION	
SCALE	FULL
DO NOT SCALE PRINT	
UNLESS OTHERWISE SPECIFIED TOLERANCES ARE	
ONE PLACE	(.0) ±.030
TWO PLACE	(.00) ±.015
THREE PLACE	(.000) ±.005
ANGLES	±
WEIGHT	

102TP82-10  
 CATALOG LISTING  
 PAGE 1 OF 1  
 RELEAS NO. PR-20331  
 ISSUE 4  
 REVISIONS  
 A 204633 TRF 08 JAN02  
 DRAWN JLH  
 PTC/CAD 2D  
 CHECK IODECO1  
 CHECK SAV  
 CHECK IODECO1