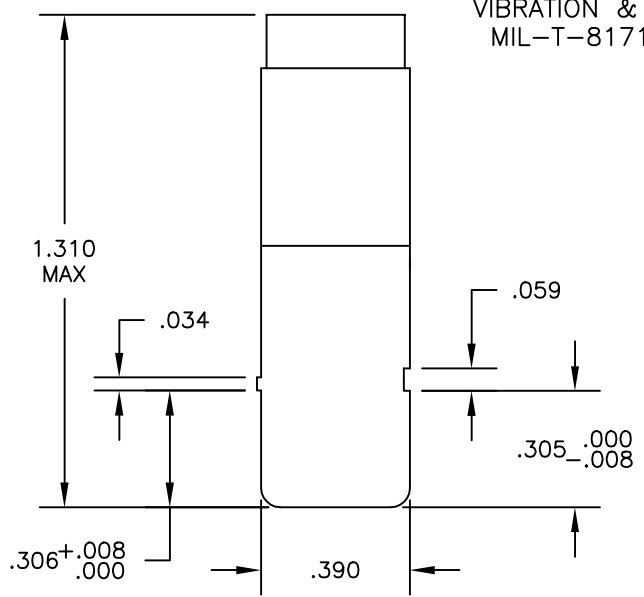
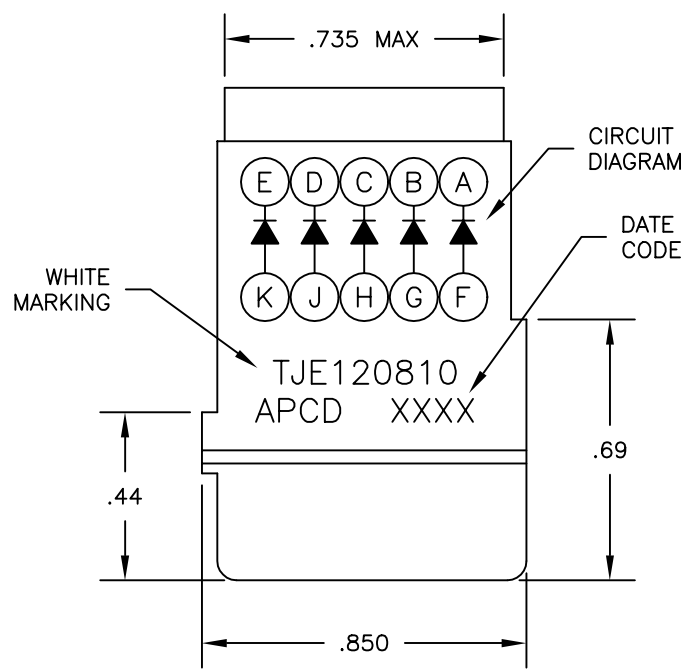
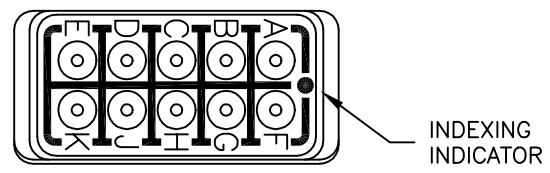


REV	ECN	APP'D
B	2773	JR 7/3/96

NOTES:

- MATERIALS:
 HOUSING – POLYETHERIMIDE, COLOR: BLACK.
 GROMMET – SILICONE ELASTOMER, COLOR: BLUE
 DIODE – JANTX1N5552, QTY. 5.
- REQUIRES PIN CONTACTS, M39019/1-101;
 (NOT INCLUDED)
- OPERATING RANGE (SUBJECT TO LIMITATIONS OF
 ELECTRONIC COMPONENTS):
 TEMPERATURE: -65°C TO 200°C
 INSULATION RESISTANCE: 5000 MEGOHMS @25°C
 DIELECTRIC WITHSTANDING VOLTAGE:
 1500 VRMS @ SEA LEVEL
 100 VRMS @ 100,000 FEET
 CURRENT RATING: 7.5 AMPS
 VIBRATION & SHOCK:
 MIL-T-81714 PARA 3.5.5 & 3.5.8



DIMENSIONS ANSI Y14.5M UNITS: INCHES ACAD FILE	TOLERANCES .XX ±.01 .XXX ±.005 ANGLES ±2°	PROJECTION 	Amphenol Pcd SPECIFICATION DRAWING		TITLE ELECTRONIC MODULE ASSEMBLY, DIODE, JANTX1N5552		
			ENGR A. PATRIE 8/19/95		SIZE A	DWG NO. TJE120810	REV B
ORIGINAL	THIS DOCUMENT CONTAINS PROPRIETARY INFORMATION WHICH IS THE CONFIDENTIAL PROPERTY OF AMPHENOL PCD INC. PEABODY, MA		CHKD J. RUTKOWSKI		CODE: 58982	SCALE: 2X	SHEET 1 OF 1
			APPD J. RUTKOWSKI 7/3/96				