

THIS DRAWING IS UNPUBLISHED.

RELEASED FOR PUBLICATION

2011

© COPYRIGHT 2011

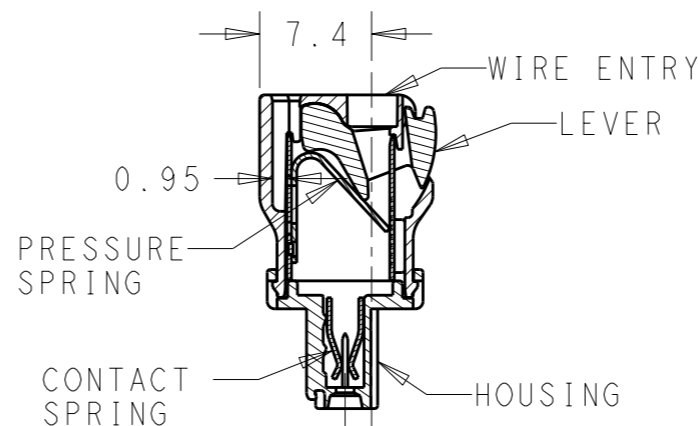
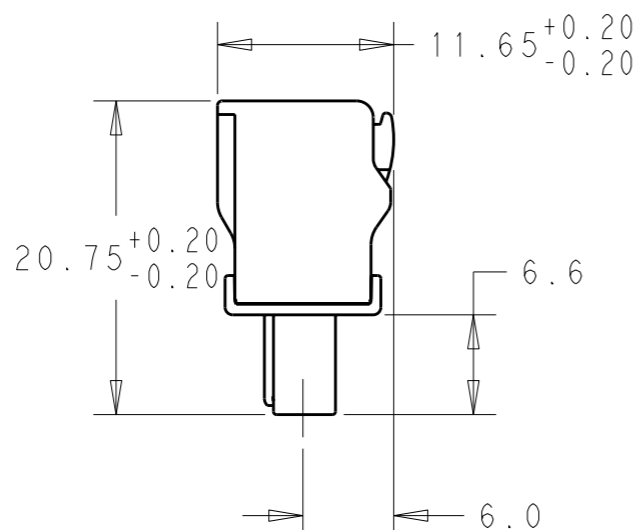
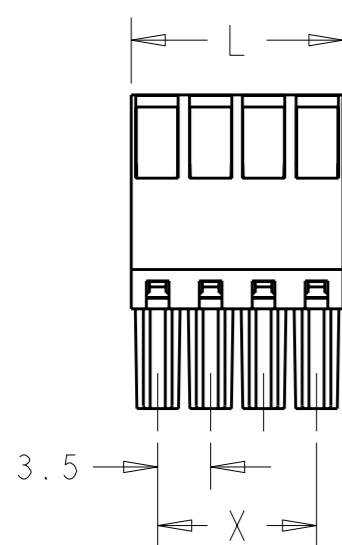
ALL RIGHTS RESERVED.

LOC  
AI

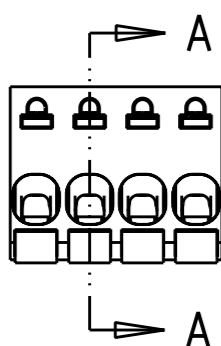
DIST  
-

REVISIONS

P	LTR	DESCRIPTION	DATE	DWN	APVD
	A	REVISED PER ECO-12-002880	14FEB12	KH	MS



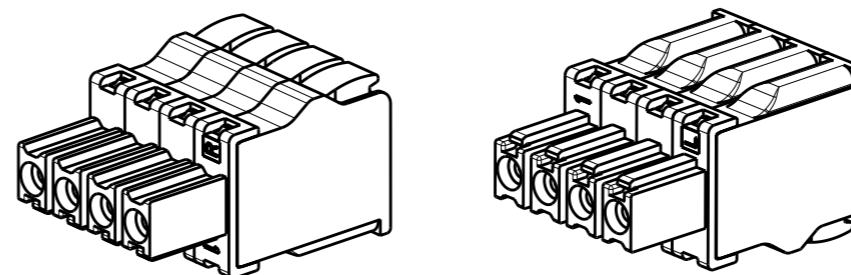
SECTION A-A



**MATERIALS:**  
 HOUSING-POLYAMIDE, COLOR-GREEN  
 LEVER-POLYAMIDE, COLOR ORANGE  
 CONTACT SPRING-COPPER ALLOY-LEAD FREE TIN PLATED  
 CLAMPING SPRING-STEEL

**MECHANICAL**  
 INSERTION FORCE PER POLE- 3 NEWTON MAX  
 WITHDRAWAL FORCE PER POLE- 1.5 NEWTON MIN  
 STRIPPING LENGTH- 10.5 TO 11.5 MM  
 OPERATING TEMPERATURE--40°C TO +110°C

**ELECTRICAL**  
 WIRE SIZE= 30 TO 14 AWG SOLID OR STRANDED  
 VOLTAGE RATING- 300 VOLTS  
 CURRENT RATING- 11 AMP STRANDED; 9AMP SOLID  
 CONTACT RESISTANCE-15 MILLOHM MAX  
 INSULATION RESISTANCE-10<sup>9</sup> OHMS MIN (500V DC)



84.00	87.50	25	2-1986693-5
80.50	84.00	24	2-1986693-4
77.00	80.50	23	2-1986693-3
73.50	77.00	22	2-1986693-2
70.00	73.50	21	2-1986693-1
66.50	70.00	20	2-1986693-0
63.00	66.50	19	1-1986693-9
59.50	63.00	18	1-1986693-8
56.00	59.50	17	1-1986693-7
52.50	56.00	16	1-1986693-6
49.00	52.50	15	1-1986693-5
45.50	49.00	14	1-1986693-4
42.00	45.50	13	1-1986693-3
38.50	42.00	12	1-1986693-2
35.00	38.50	11	1-1986693-1
31.50	35.00	10	1-1986693-0
28.00	31.50	9	1986693-9
24.50	28.00	8	1986693-8
21.00	24.50	7	1986693-7
17.50	21.00	6	1986693-6
14.00	17.50	5	1986693-5
10.50	14.00	4	1986693-4
7.00	10.50	3	1986693-3
3.50	7.00	2	1986693-2
DIM X	DIM L	POLE	PART NUMBER

THIS DRAWING IS A CONTROLLED DOCUMENT.		DWN 12JAN2012 KIRAN HOLAL	<b>TE Connectivity</b>															
DIMENSIONS: mm		CHK 12JAN2012 MIKE SARVER																
TOLERANCES UNLESS OTHERWISE SPECIFIED:		APVD 12JAN2012 MIKE SARVER	NAME STRAIGHT SPRING TYPE PLUG CONNECTOR, SIDE STACKABLE LEFT, 02 - 25 POLES, PITCH 3.50mm															
<table border="1"> <tr><td>0 PLC</td><td>±-</td></tr> <tr><td>1 PLC</td><td>±0.40</td></tr> <tr><td>2 PLC</td><td>±0.20</td></tr> <tr><td>3 PLC</td><td>±-</td></tr> <tr><td>4 PLC</td><td>±-</td></tr> <tr><td>ANGLES</td><td>±1°</td></tr> </table>		0 PLC	±-	1 PLC	±0.40	2 PLC	±0.20	3 PLC	±-	4 PLC	±-	ANGLES	±1°	PRODUCT SPEC -	SIZE A3	CAGE CODE 00779	DRAWING NO C-1986693	RESTRICTED TO -
0 PLC	±-																	
1 PLC	±0.40																	
2 PLC	±0.20																	
3 PLC	±-																	
4 PLC	±-																	
ANGLES	±1°																	
MATERIAL -		FINISH -	WEIGHT -	SCALE 2:1		SHEET 1 OF 1	REV A											
CUSTOMER DRAWING																		