

MODEL SWTW

Tactile Switches
6 x 6 mm and 8 x 8mm
Sealed, Washable
RoHS Compliant



STYLES AVAILABLE

| | |
|---|--------|
| Top Actuation SMD – G Pin, 6 x 6 mm | SWTW-G |
| Top Actuation SMD – G pin with Ground, 6 x 6 mm | SWTW-X |
| Top Actuation SMD – J pin, 6 x 6 mm | SWTW-J |
| Side Actuation SMD – J pin, 6 x 6 mm | SWTW-S |
| Top Actuation Through Hole, 6 x 6 mm | SWTW-H |
| Side Actuation Through Hole, 8 x 8 mm | SWTW-R |
| Top Actuation Through Hole, 8 x 8 mm | SWTW-K |

ELECTRICAL

| | |
|-----------------------|--|
| Contact Resistance | 100 milli Ω max |
| Insulation Resistance | 100 M Ω min. at 500VDC |
| Dielectric Strength | AC 250VAC / Minute |
| Rating | DC 12V / 50 mA (DC 50V/50mA for SWTW-R only) |

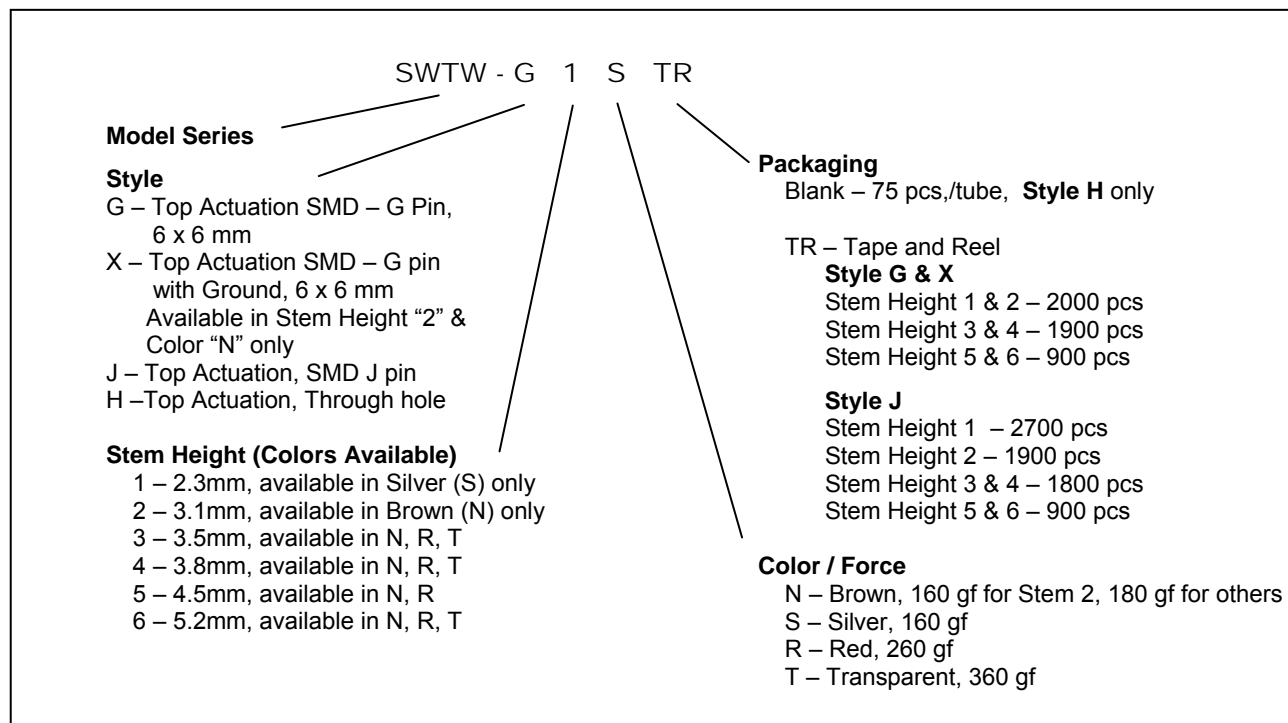
ENVIRONMENTAL (MIL-R-39023)

| | |
|---|---|
| Life Mechanical (range) | 100K Cycles : Stem heights 1 & 2, 500K Cycles : Others (200K cycles : SWTW-S only) (1 Millions cycles : SWTW-R and SWTW-K only) |
| Operating Force Range (refer to ordering information) | 130 gf – 360 gf |
| Operating Temperature Range | -25°C – 70°C, (-40°C to +90°C for SWTW-R and SWTW-K only) |
| Storage Temperature Range | -30°C – 80°C, (-40°C to +90°C for SWTW-R and SWTW-K only) |
| Stop Strength | Vertical Static Load of 3Kg continuously for 15 sec |
| Vibration | Mil-STD-202F, Method 201A |
| Shock | Mil-STD-202F, Method 213B Condition A |
| Soldering | Profile available upon request |

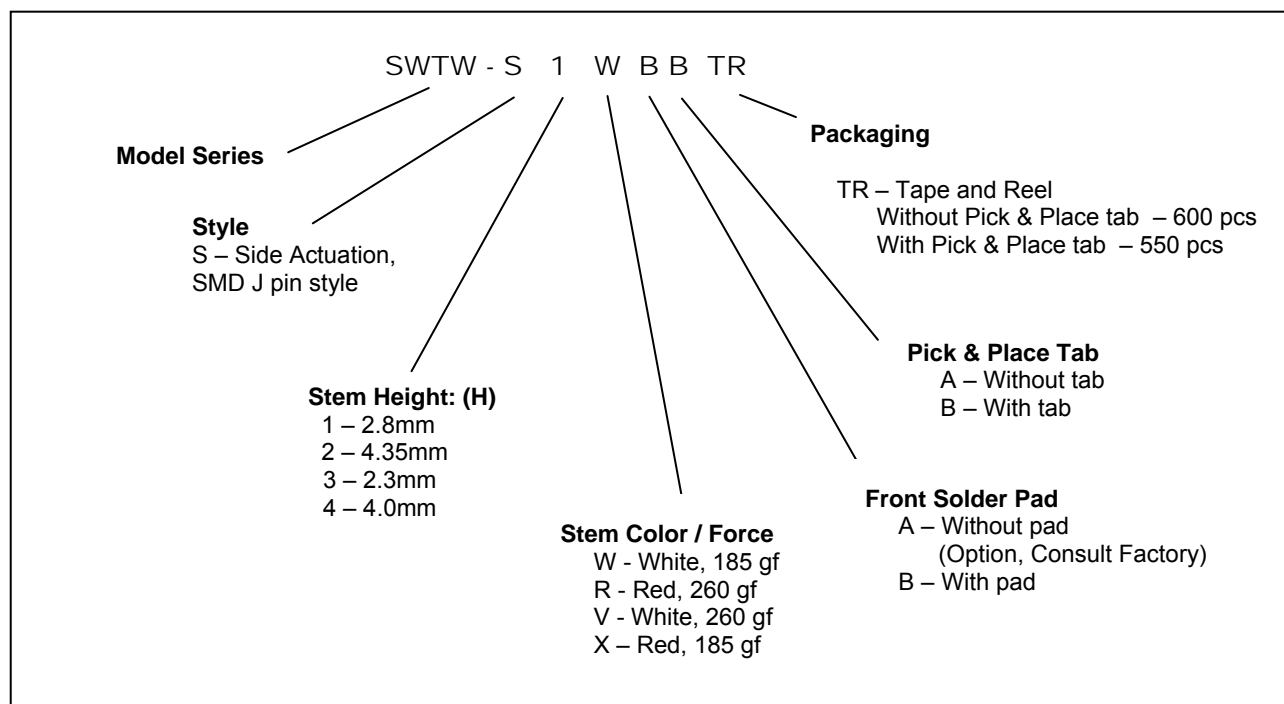
MODEL SWTW

ORDERING INFORMATION¹

6 x 6 mm (G, X, J, and H styles only)



6 x 6 mm (S style only)

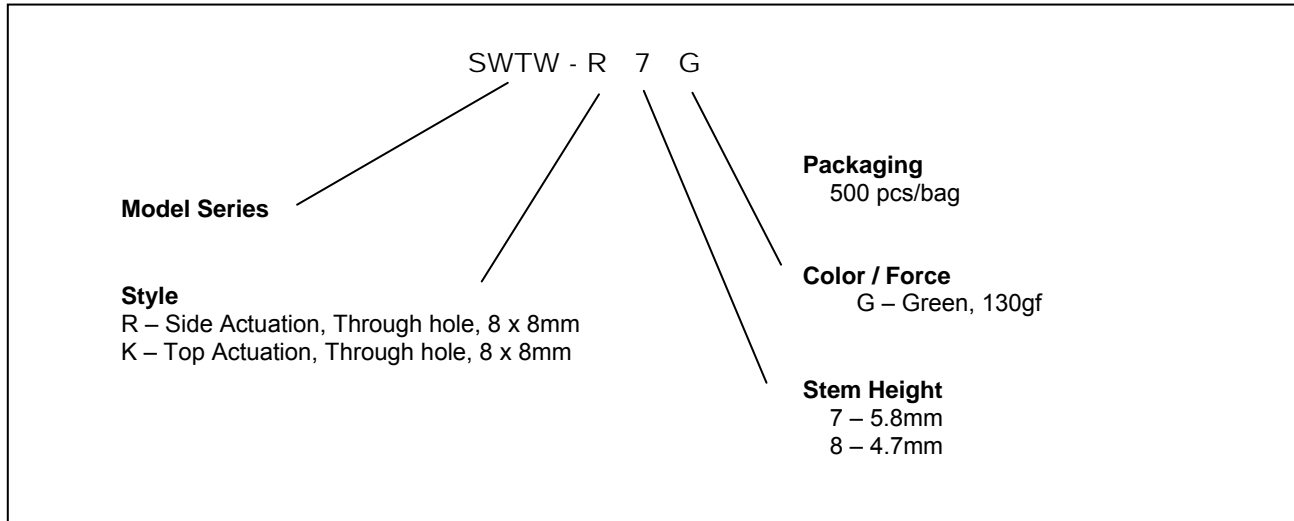


¹ Contact our customer service for custom designs and features.

MODEL SWTW

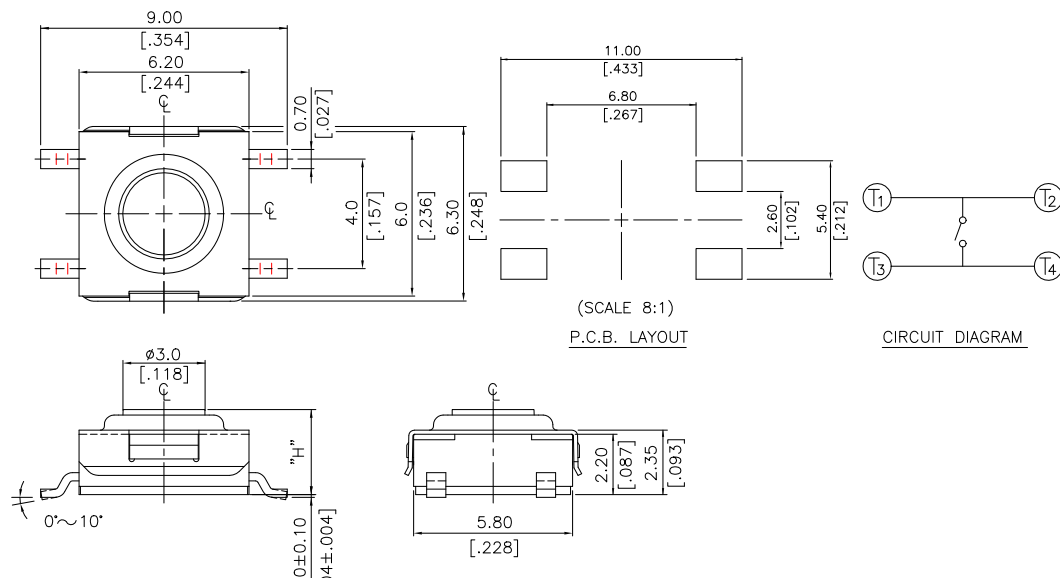
ORDERING INFORMATION

8 x 8 mm (R and K styles only)



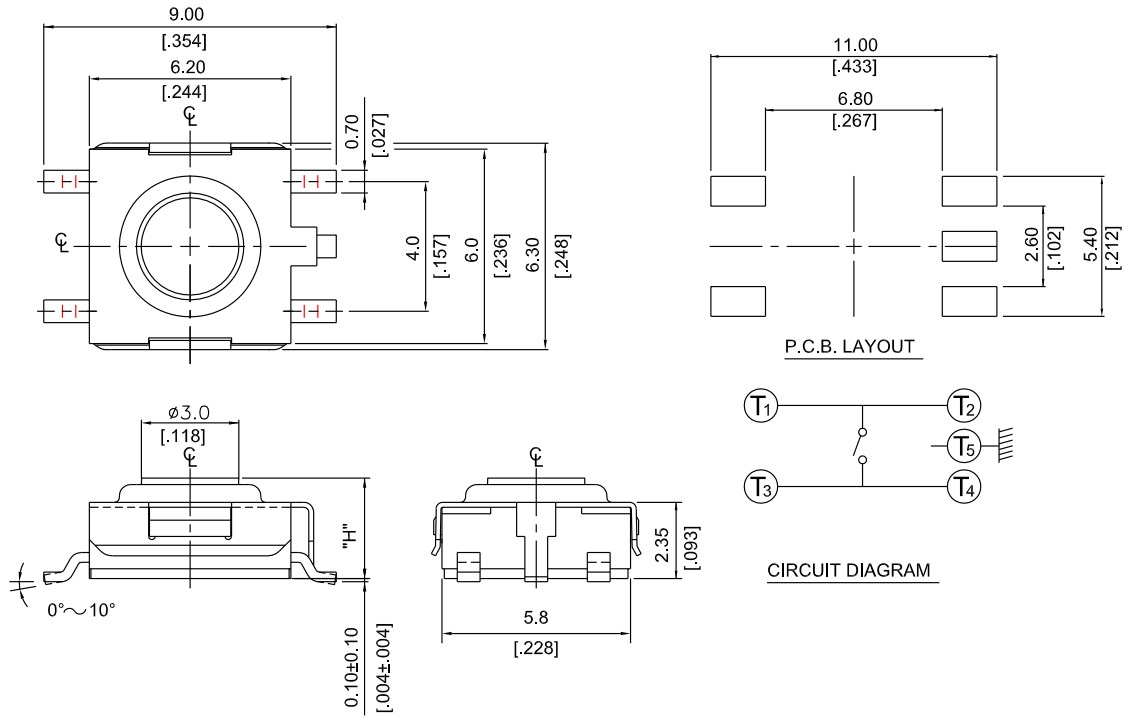
OUTLINE DRAWINGS

Model SWTW-G (Top Actuation, SMD G pin style, 6 x 6 mm)

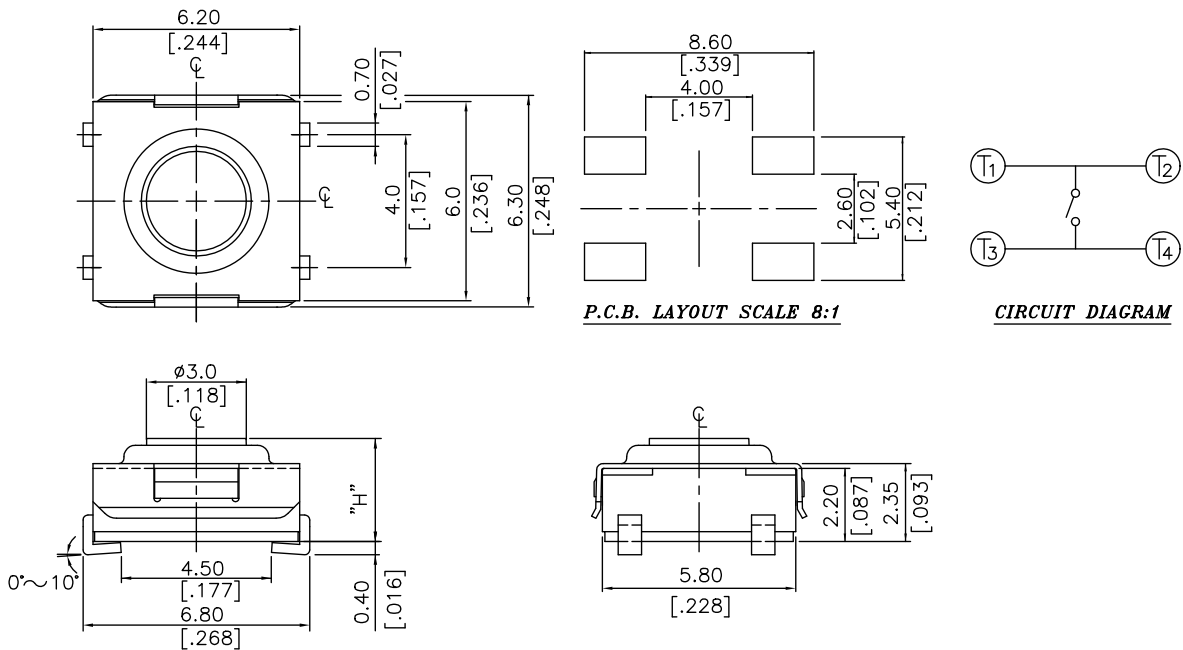


MODEL SWTW

Model SWTW-X (Top Actuation, SMD G pin style with ground, 6 x 6 mm, Stem Height 2, H = 3.1 mm)

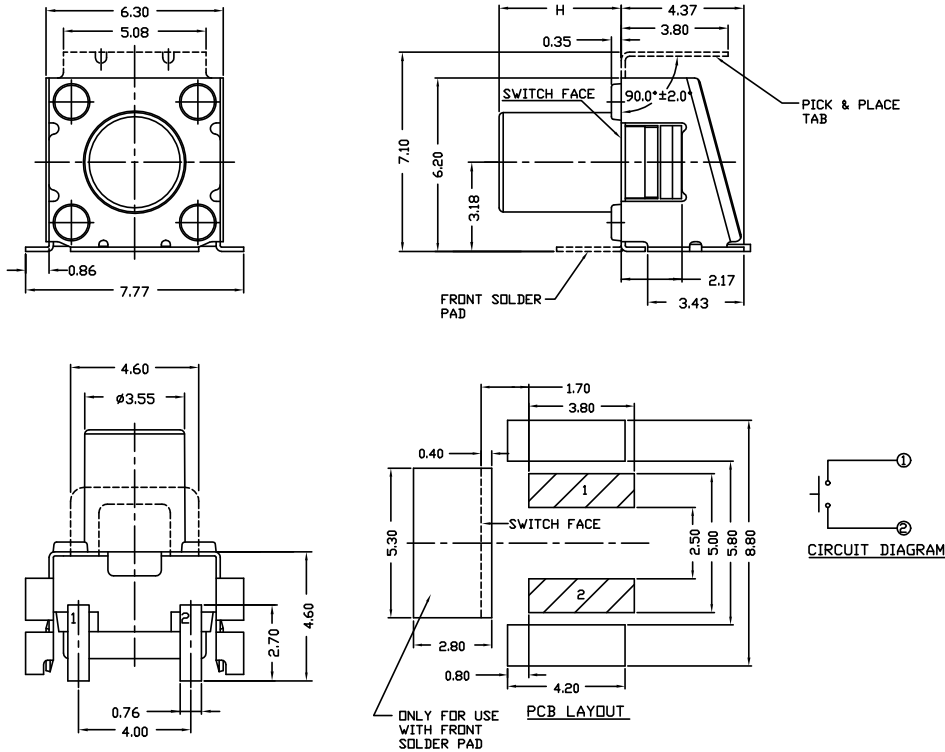


Model SWTW-J (Top Actuation, SMD J pin style, 6 x 6 mm)

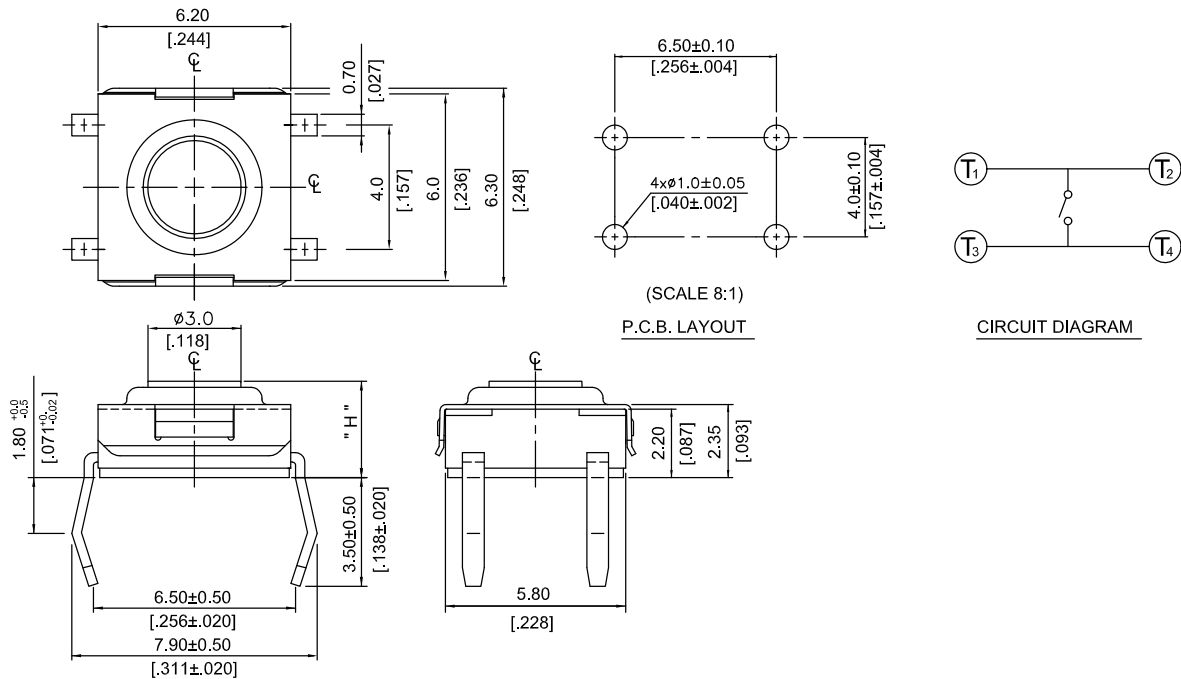


MODEL SWTW

Model SWTW-S (Side Actuation, SMD J pin style , 6 x 6 mm)

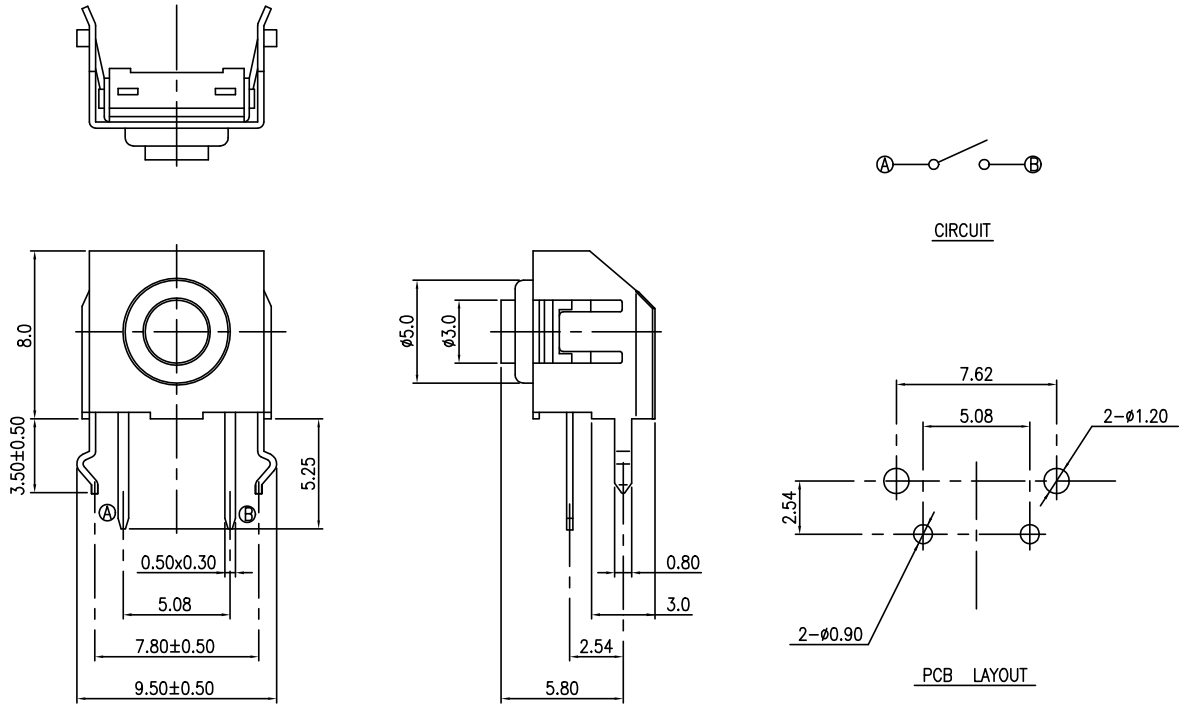


Model SWTW-H (Top Actuation, Through hole, 6 x 6 mm)



MODEL SWTW

Model SWTW-R (Side Actuation, Through hole, 8 x 8mm)



Model SWTW-K (Top Actuation, Through hole, 8 x 8mm)

