

4

3

2

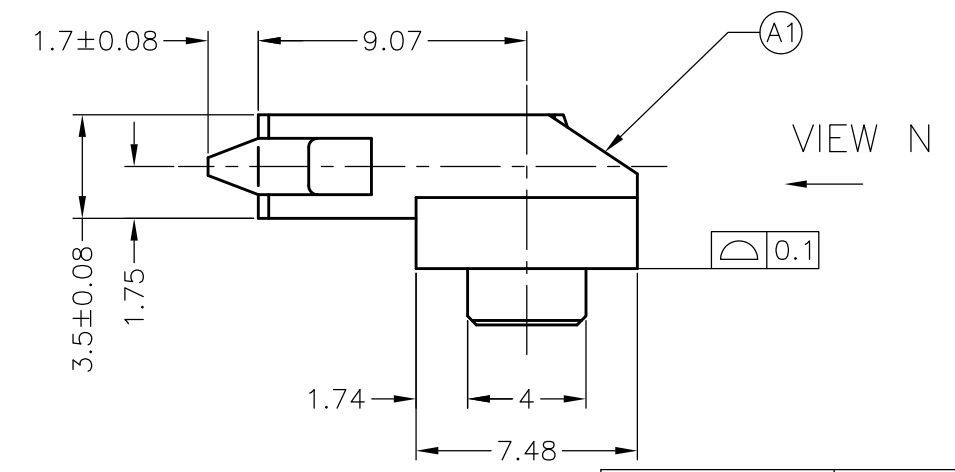
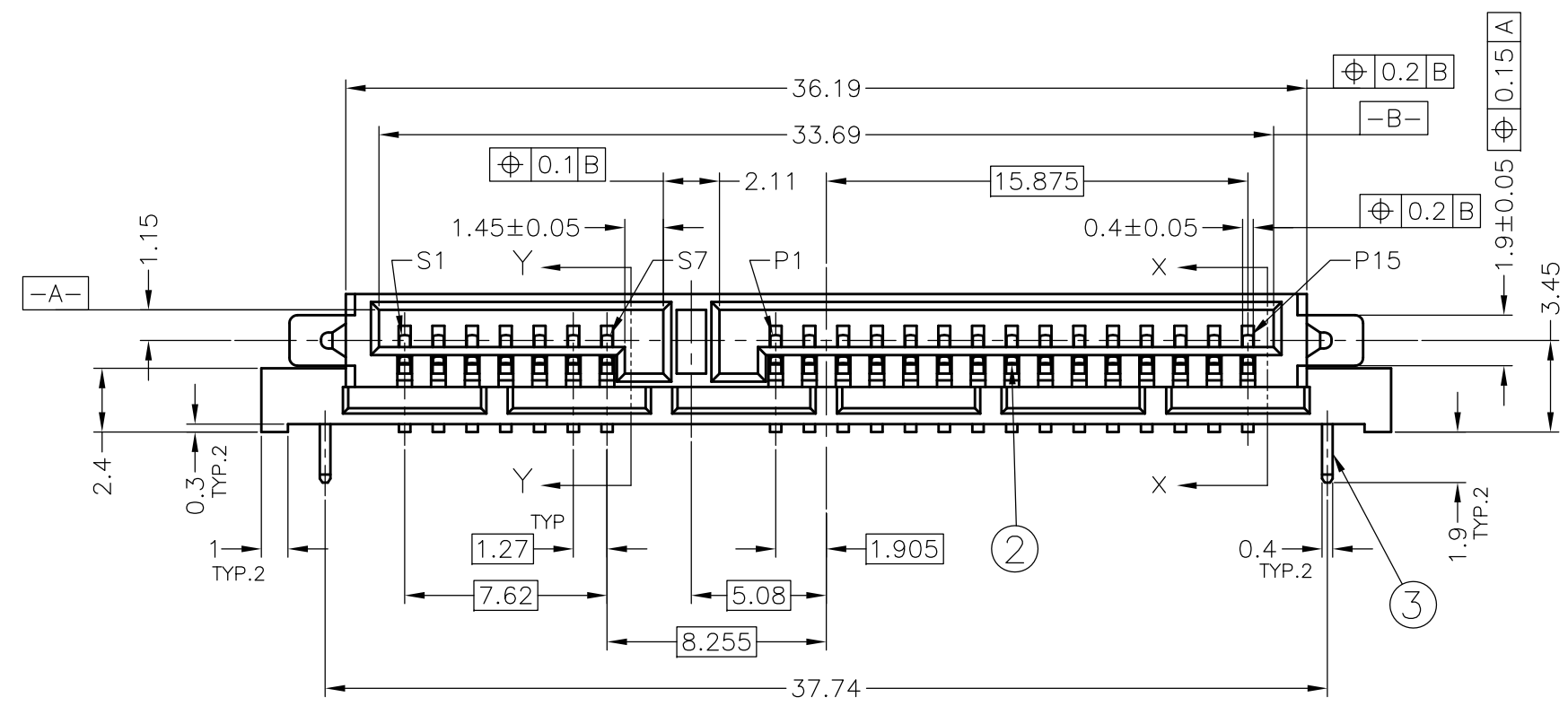
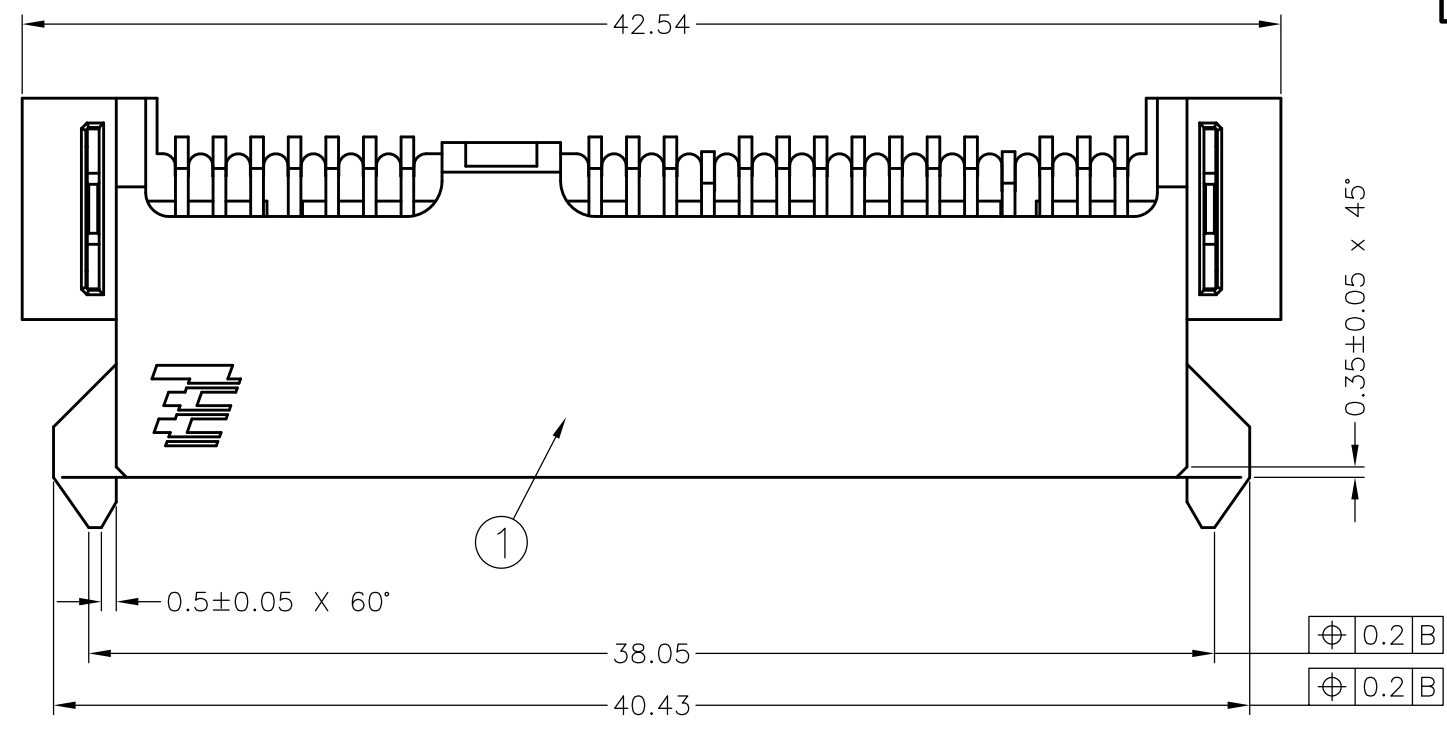
1

THIS DRAWING IS UNPUBLISHED. RELEASED FOR PUBLICATION
 © COPYRIGHT BY TYCO ELECTRONICS CORPORATION. ALL RIGHTS RESERVED.

LOC	DIST	REVISIONS			
P	LTR	DESCRIPTION	DATE	DWN	APVD
DW		A1	REVISED (ECR-10-004449)	23FEB2010	V.P. H.K

2023246-1~-3: AS SHOWN

1. MATERIAL:
 ① HOUSING: HIGH TEMPERATURE THERMOPLASTIC
 UL94V-0, COLOR:BLACK
 ② CONTACT: COPPER ALLOY
 ③ SOLDER LEG: COPPER ALLOY
2. FINISH:
 CONTACT: (SEE TABLE) GOLD PLATED ON CONTACT AREA,
 2.54μm MIN. MATTE-TIN PLATING ON SOLDER TAILS.
 1.27μm MIN. NICKEL UNDER PLATING OVER ALL.
 SOLDER LEG: 2.54μm MIN. MATTE-TIN PLATED
 1.27μm MIN. NICKET PLATED.



2023246-3	0.76μm
2023246-2	0.30μm
2023246-1	0.05μm
PART NUMBER	CONTACT Au PLATED

THIS DRAWING IS A CONTROLLED DOCUMENT.		DWN	V.PENG	14NOV2008	Tyco Electronics Corporation Taipei, Taiwan
DIMENSIONS: mm		CHK	H.KODAMA	14NOV2008	
TOLERANCES UNLESS OTHERWISE SPECIFIED:		APVD	H.KODAMA	14NOV2008	NAME SATA RECEPTACLE R/A SMT TYPE, 3.45MM
8 PLC ± 1 PLC ± ±0.25 2 PLC ± ±3° 3 PLC ± ± 4 PLC ± ± ANGLES ± ±		PRODUCT SPEC	108-99017		
MATERIAL		APPLICATION SPEC	A3 00779		RESTRICTED TO
FINISH		WEIGHT	2.1 gm		SIZE
		CUSTOMER DRAWING	SCALE 4:1		CAGE CODE
			SHEET 1 OF 4		DRAWING NO
			REV A1		DRAWING NO

4

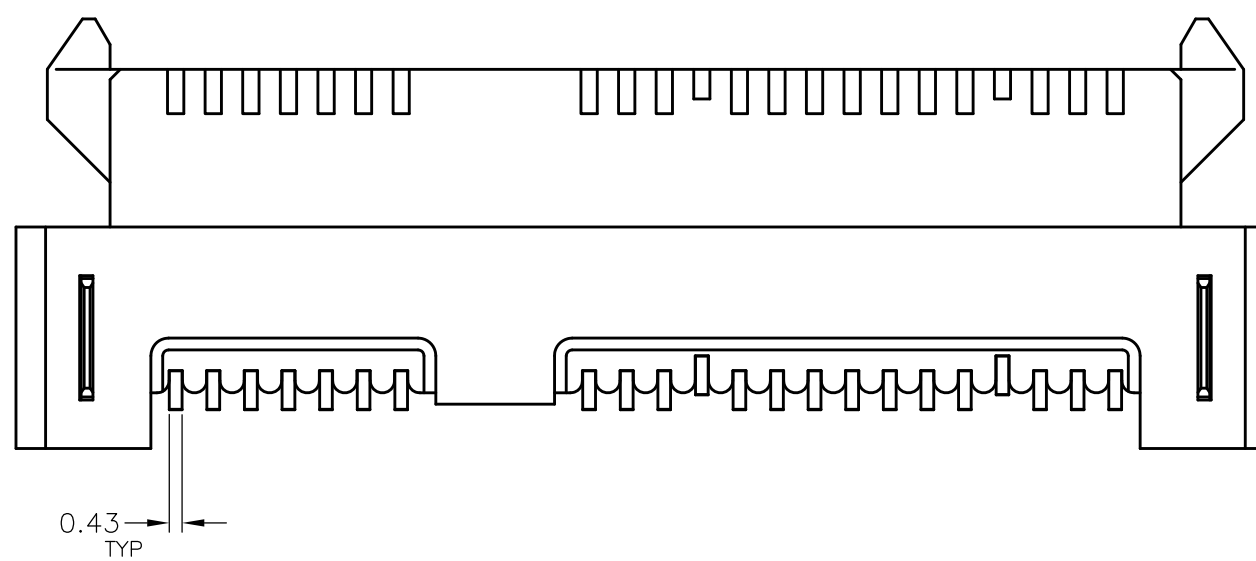
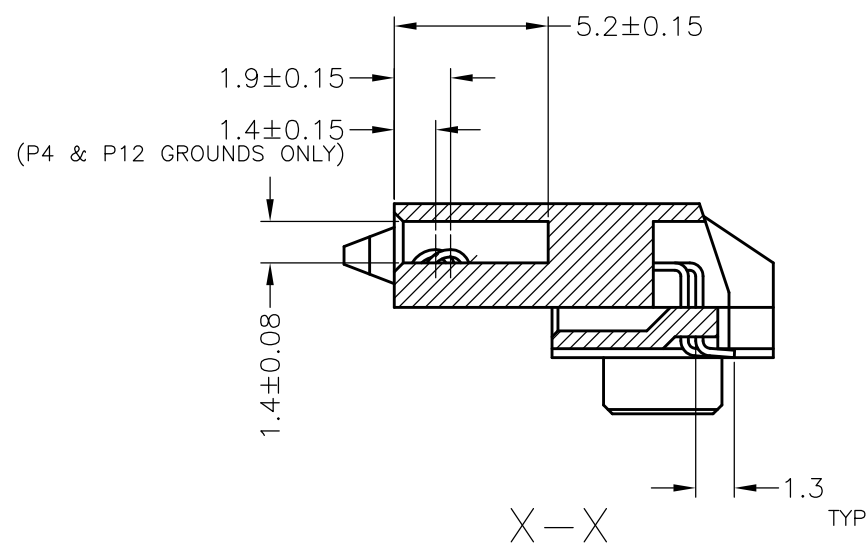
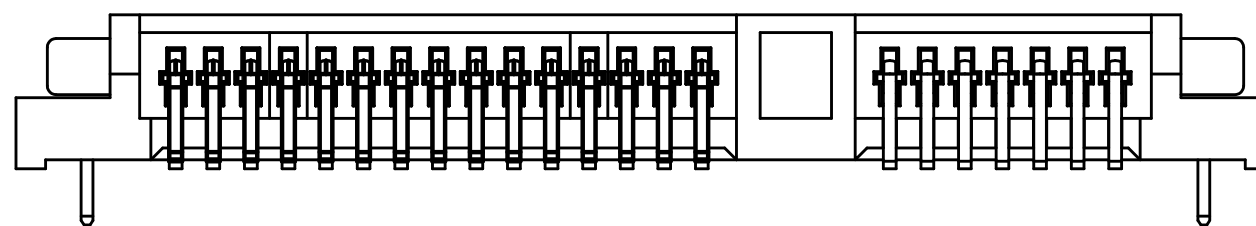
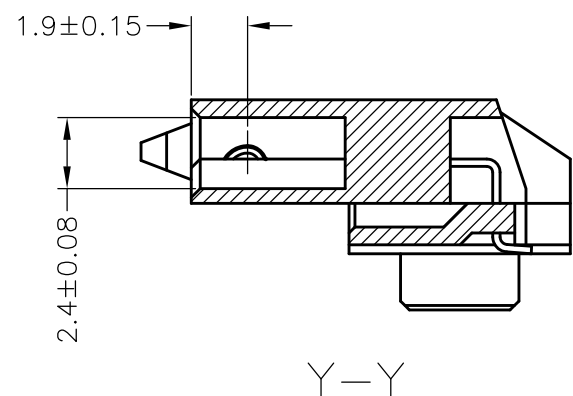
3

2

1

THIS DRAWING IS UNPUBLISHED. RELEASED FOR PUBLICATION
© COPYRIGHT BY TYCO ELECTRONICS CORPORATION. ALL RIGHTS RESERVED.

LOC	DIST	REVISIONS			
P	LTR	DESCRIPTION	DATE	DWN	APVD
		SEE SHEET 1	-	-	-



THIS DRAWING IS A CONTROLLED DOCUMENT.		DWN		Tyco Electronics Corporation Taipei, Taiwan																			
DIMENSIONS: mm		CHK		NAME																			
TOLERANCES UNLESS OTHERWISE SPECIFIED:		APVD		SATA RECEPTACLE R/A SMT TYPE, 3.45MM																			
<table border="1"> <tr><td>8 PLC</td><td>±</td><td></td></tr> <tr><td>1 PLC</td><td>±</td><td>±0.25</td></tr> <tr><td>2 PLC</td><td>±</td><td>±3°</td></tr> <tr><td>3 PLC</td><td>±</td><td></td></tr> <tr><td>4 PLC</td><td>±</td><td></td></tr> <tr><td>ANGLES</td><td>±</td><td></td></tr> </table>		8 PLC	±		1 PLC	±	±0.25	2 PLC	±	±3°	3 PLC	±		4 PLC	±		ANGLES	±		PRODUCT SPEC		SIZE	
8 PLC	±																						
1 PLC	±	±0.25																					
2 PLC	±	±3°																					
3 PLC	±																						
4 PLC	±																						
ANGLES	±																						
MATERIAL		APPLICATION SPEC		CAGE CODE																			
FINISH		WEIGHT		DRAWING NO																			
		CUSTOMER DRAWING		A3 00779 C-2023246																			
		SCALE		RESTRICTED TO																			
		4:1		-																			
		SHEET		REV																			
		2 OF 4		A1																			

4

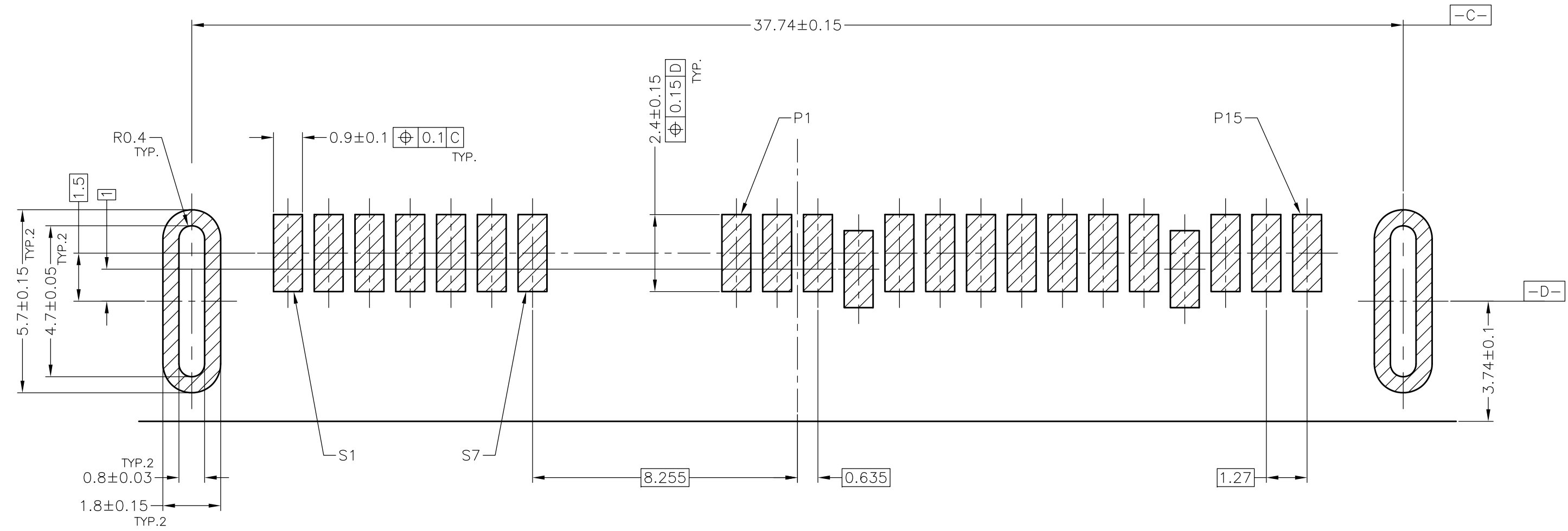
3

2

1

THIS DRAWING IS UNPUBLISHED. RELEASED FOR PUBLICATION
 © COPYRIGHT BY TYCO ELECTRONICS CORPORATION. ALL RIGHTS RESERVED.

LOC	DIST	REVISIONS					
DW	/	P	LTR	DESCRIPTION	DATE	DWN	APVD
		-		SEE SHEET 1	-	-	-



THIS DRAWING IS A CONTROLLED DOCUMENT.		DWN	Tyco Electronics Corporation Taipei, Taiwan																			
DIMENSIONS: mm		CHK	NAME																			
TOLERANCES UNLESS OTHERWISE SPECIFIED:		APVD	SATA RECEPTACLE R/A SMT TYPE, 3.45MM																			
<table border="1"> <tr><td>8 PLC</td><td>±</td><td></td></tr> <tr><td>1 PLC</td><td>±</td><td>±0.05</td></tr> <tr><td>2 PLC</td><td>±</td><td>±3°</td></tr> <tr><td>3 PLC</td><td>±</td><td></td></tr> <tr><td>4 PLC</td><td>±</td><td></td></tr> <tr><td>ANGLES</td><td>±</td><td></td></tr> </table>		8 PLC	±		1 PLC	±	±0.05	2 PLC	±	±3°	3 PLC	±		4 PLC	±		ANGLES	±		PRODUCT SPEC	SIZE	CAGE CODE
8 PLC	±																					
1 PLC	±	±0.05																				
2 PLC	±	±3°																				
3 PLC	±																					
4 PLC	±																					
ANGLES	±																					
MATERIAL		APPLICATION SPEC	A3	00779																		
FINISH		WEIGHT	2023246	DRAWING NO																		
		CUSTOMER DRAWING	RESTRICTED TO																			
		SCALE	8:1	SHEET 3 OF 4																		
		REV	A1																			

4

3

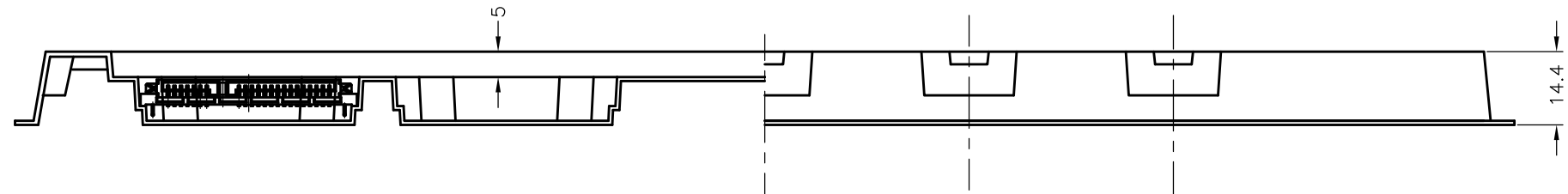
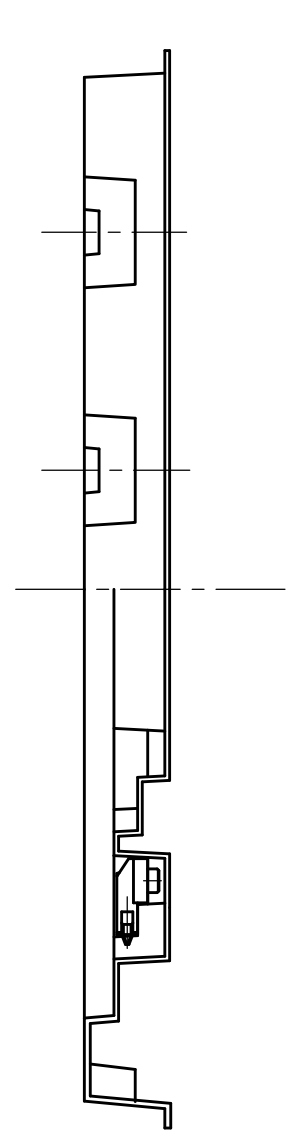
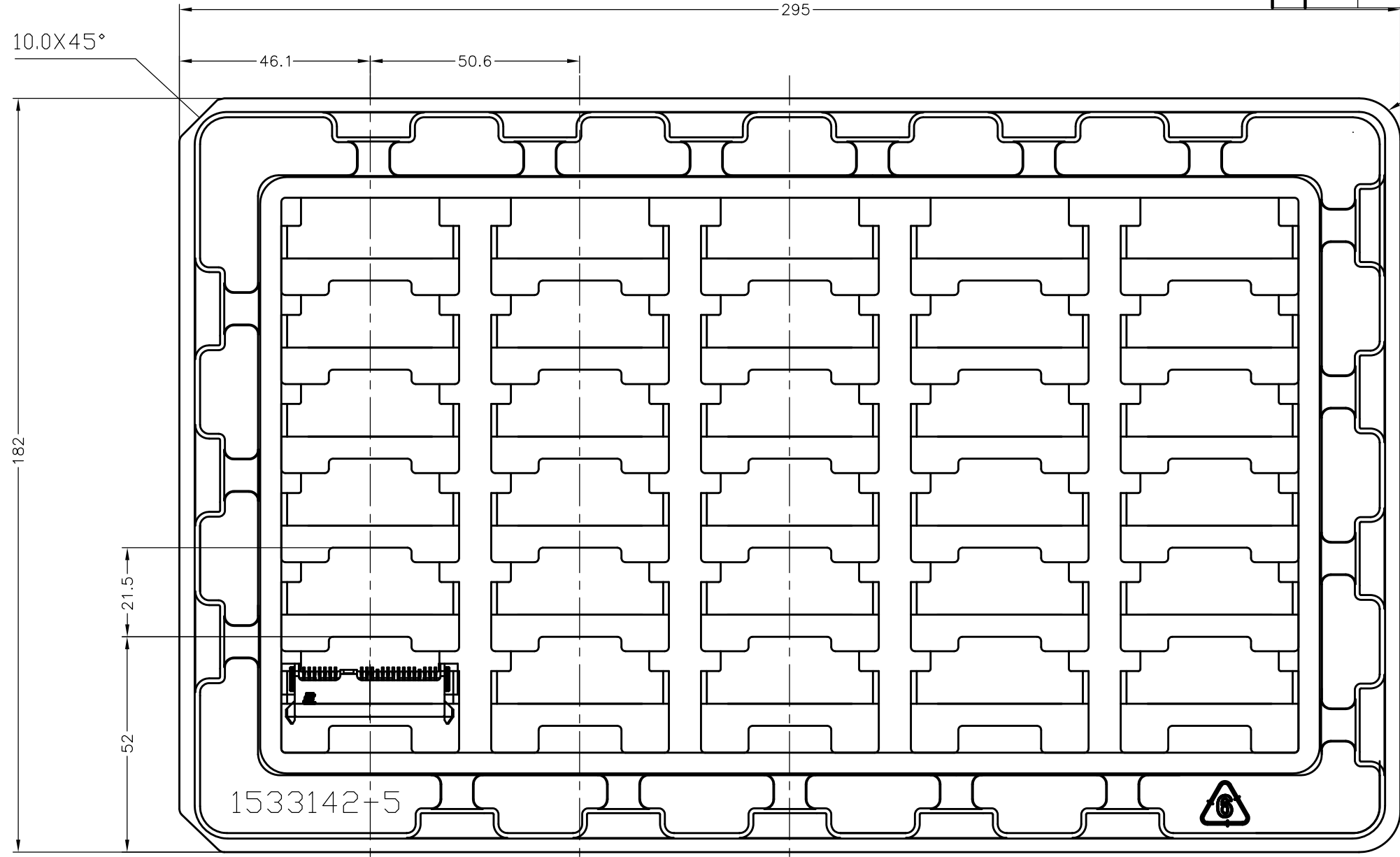
2

1

THIS DRAWING IS UNPUBLISHED. RELEASED FOR PUBLICATION
 © COPYRIGHT BY TYCO ELECTRONICS CORPORATION. ALL RIGHTS RESERVED.

LOC	DIST	REVISIONS			
P	LTR	DESCRIPTION	DATE	DWN	APVD
		SEE SHEET 1	-	-	-

D
C
B
A



3. QUANTITY: 30 PCS/PER TRAY

THIS DRAWING IS A CONTROLLED DOCUMENT.		DWN		Tyco Electronics Corporation	
DIMENSIONS: mm		CHK		Taipei, Taiwan	
TOLERANCES UNLESS OTHERWISE SPECIFIED:		APVD		NAME	
<ul style="list-style-type: none"> 6 PLC ± 1 PLC ±- 2 PLC ±- 3 PLC ±- 4 PLC ±- ANGLES ±- FINISH 		PRODUCT SPEC		SATA RECEPTACLE	
MATERIAL		APPLICATION SPEC		R/A SMT TYPE, 3.45MM	
		WEIGHT		SIZE	RESTRICTED TO
		CUSTOMER DRAWING		A3	
		SCALE 4:1		CAGE CODE 00779	DRAWING NO. 2023246
		SHEET 4 OF 4		REV A1	