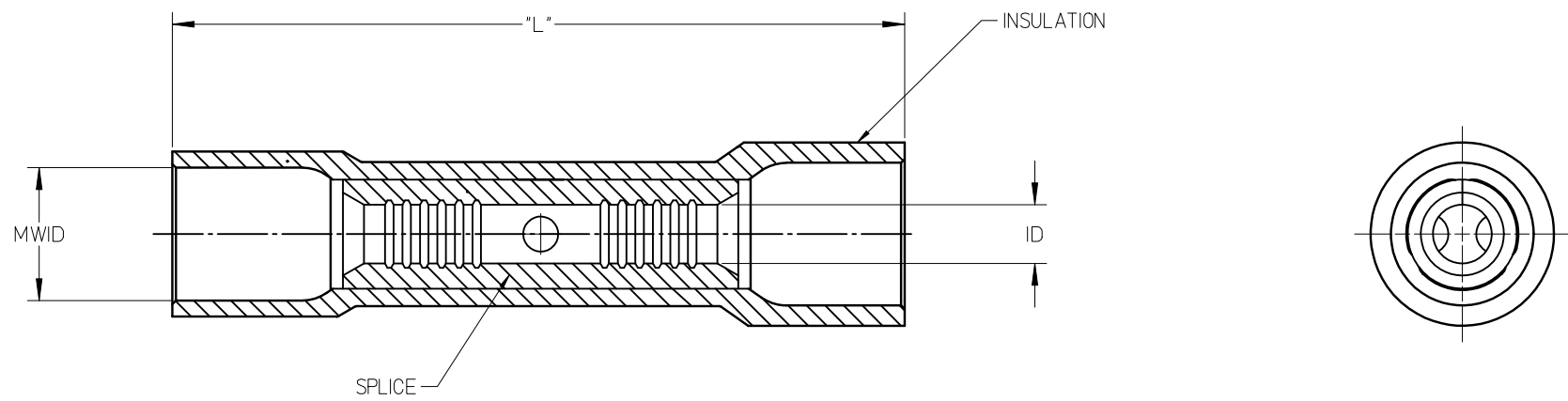


MATERIAL NUMBER	ENGINEERING NUMBER	WIRE SIZE AWG	INSULATION COLOR	SPLICE ID MIN	MWID	LENGTH "L" MAX
192020271	A-945X	22-18	RED	.055/ 1.40	.147/3.74	1.070/27.18
192020272	B-931X	16-14	BLUE	.078/ 1.98	.185/4.70	1.070/27.18
192020273	C-946X	12-10	YELLOW	.124/ 3.15	.261/6.63	1.150/29.21



- NOTES:
- SPLICE MATERIAL: COPPER
  - SPLICE FINISH: TIN
  - INSULATION MATERIAL: NYLON 6/6
  - MWID = MAXIMUM WIRE INSULATION DIAMETER
  - ASSEMBLY IS ROHS COMPLIANT.

INITIAL RELEASE EC NO: WNA2011-0271 DRAWN BY: ETHRODAHL 2011/02/07 CHKD: JMACNEIL 2011/02/08 APPR: JMACNEIL 2011/02/25	DESCRIPTION A	QUALITY SYMBOLS	GENERAL TOLERANCES (UNLESS SPECIFIED)	DIMENSION STYLE IN/MM		SCALE ---	DESIGN UNITS INCH	THIRD ANGLE PROJECTION																												
		$\nabla=0$ $\nabla 7=0$	<table border="1"> <tr> <th></th> <th>mm</th> <th>INCH</th> </tr> <tr> <td>4 PLACES</td> <td>±---</td> <td>±---</td> </tr> <tr> <td>3 PLACES</td> <td>±---</td> <td>±.005</td> </tr> <tr> <td>2 PLACES</td> <td>±0.13</td> <td>±.010</td> </tr> <tr> <td>1 PLACE</td> <td>±0.25</td> <td>±.020</td> </tr> </table>		mm	INCH	4 PLACES	±---	±---	3 PLACES	±---	±.005	2 PLACES	±0.13	±.010	1 PLACE	±0.25	±.020	<table border="1"> <tr> <td>DRAWN BY</td> <td>DATE</td> </tr> <tr> <td>ETHRODAHL</td> <td>2011/02/07</td> </tr> <tr> <td>CHECKED BY</td> <td>DATE</td> </tr> <tr> <td>JMACNEIL</td> <td>2011/02/08</td> </tr> <tr> <td>APPROVED BY</td> <td>DATE</td> </tr> <tr> <td>JMACNEIL</td> <td>2011/02/25</td> </tr> </table>	DRAWN BY	DATE	ETHRODAHL	2011/02/07	CHECKED BY	DATE	JMACNEIL	2011/02/08	APPROVED BY	DATE	JMACNEIL	2011/02/25	TITLE		BUTT CONNECTOR, SEAMED NYLAKRIMP, 22-10 AWG EXPANDED FLARE		
			mm	INCH																																
		4 PLACES	±---	±---																																
3 PLACES	±---	±.005																																		
2 PLACES	±0.13	±.010																																		
1 PLACE	±0.25	±.020																																		
DRAWN BY	DATE																																			
ETHRODAHL	2011/02/07																																			
CHECKED BY	DATE																																			
JMACNEIL	2011/02/08																																			
APPROVED BY	DATE																																			
JMACNEIL	2011/02/25																																			
DRAFT WHERE APPLICABLE MUST REMAIN WITHIN DIMENSIONS		SEE CHART		MATERIAL NO.		DOCUMENT NO.		SHEET NO.																												
		SIZE B		THIS DRAWING CONTAINS INFORMATION THAT IS PROPRIETARY TO MOLEX INCORPORATED AND SHOULD NOT BE USED WITHOUT WRITTEN PERMISSION				1 OF 1																												