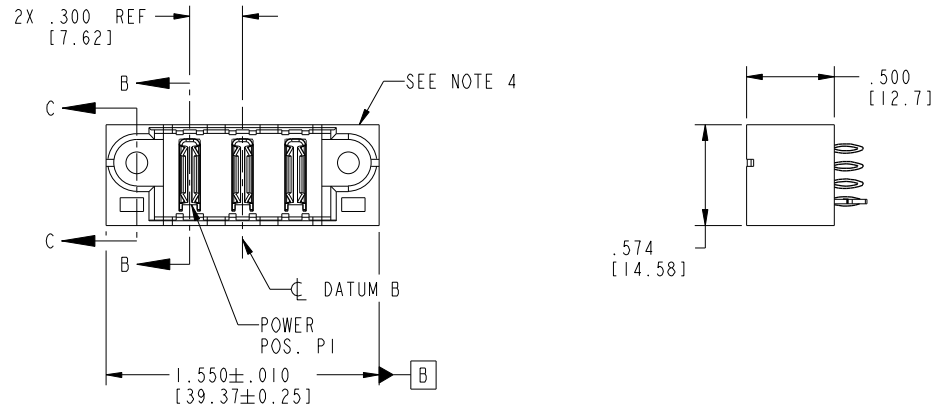


Tous droits strictement reserves. Reproduction ou communication a des tiers interdite sous quelque forme que ce soit sans autorisation écrite du propriétaire. Propriete de c FCI. Droits de reproduction FCI.



All rights strictly reserved. Reproduction or issue to third parties in any form whatever is not permitted without written authority from the proprietor. Property of FCI. Copyright FCI.

| | | | | | |
|---------------------|-------|----|----|----|----|
| PRODUCT NO. | POWER | | | | |
| | E1 | P1 | P2 | P3 | E2 |
| 51952-121 NOTE ③ | | PC | PC | PC | |



| CODE | DIM "M" MATING LENGTH | | CONTACT TYPE |
|------|-----------------------|-------|--------------|
| PC | [N/A] | [N/A] | POWER |
| HA | N/A | [N/A] | HOLD-DOWN |

| | | | | | | | | | |
|-------------|----------------|------------|----------|---------------------------------------|-----------------------|------------|--|---------------------------|--|
| mat'l code | | SEE NOTE 2 | | tolerances unless otherwise specified | | CUSTOMER | | | |
| ltr | ecn no. | dr | date | linear | .XX±.01/0.X±0.3 | COPY | | www.fciconnect.com | |
| A | DG07-0321 | JC | 08/07/07 | angles | .XXX±.005/0.XX±0.13 | projection | | title | |
| | | | | | .XXX±.002/0.XXX±0.051 | | | 3ACP | |
| | | | | | 0°±2° | INCH/MM | | VERTICAL PRESS-FIT HEADER | |
| | | | | dr | Jerome Chen 07/10/07 | scale | | product family | |
| | | | | enr | Jerome Chen 07/10/07 | 1:1 | | PwrBlade | |
| | | | | chr | Gary Hsieh 07/10/07 | A | | code | |
| | | | | appd | Joseph Hsia 07/10/07 | | | 213 | |
| sheet index | revision sheet | A | A | A | A | size | | dwg no | |
| | | 1 | 2 | 3 | 4 | 51952-121 | | 1 of 4 | |

cage code 22526

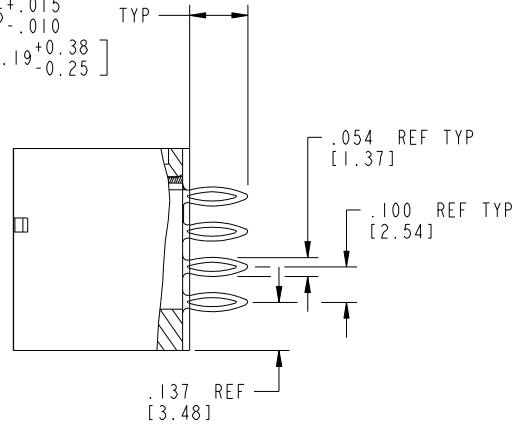
Tous droits strictement reserves. Reproduction ou communication a des tiers interdite sous quelque forme que ce soit sans autorisation ecrite du proprietaire. Propriete de c FCI. Droits de reproduction FCI.



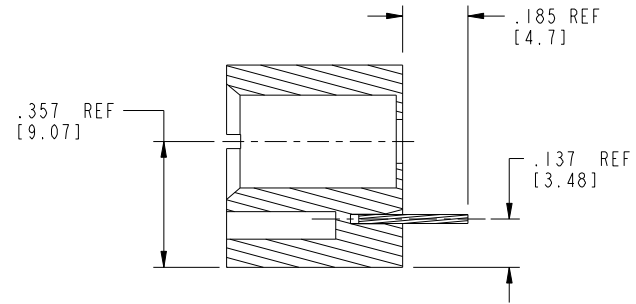
All rights strictly reserved. Reproduction or issue to third parties in any form whatever is not permitted without written authority from the proprietor. Property of FCI. Copyright FCI.

PRODUCT NUMBER
51952-121--
NOTE ③

$.165^{+.015}$
 $-.010$
[4.19^{+0.38}
-0.25]



SECTION B-B
SCALE 2:1



SECTION C-C
SCALE 2:1

| | | | | | | | | | |
|-------------|---------|----------------|------|---------------------------------------|-----------------------|------------|--|---------------------------|--|
| mat'l code | | SEE NOTE 2 | | tolerances unless otherwise specified | | CUSTOMER | | www.fciconnect.com | |
| ltr | ecn no. | dr | date | linear | .XX±.01/0.X±0.3 | COPY | | title | |
| A | | | | | .XXX±.005/0.XX±0.13 | projection | | 3ACP | |
| | | | | angles | .XXX±.002/0.XXX±0.051 | | | VERTICAL PRESS-FIT HEADER | |
| | | | | dr | Jerome Chen 07/10/07 | INCH/MM | | product family | |
| | | | | enr | Jerome Chen 07/10/07 | scale | | PwrBlade | |
| | | | | chr | Gary Hsieh 07/10/07 | 1:1 | | code | |
| | | | | appd | Joseph Hsia 07/10/07 | A | | 213 | |
| sheet index | | revision sheet | | | | | | size | |
| | | | | | | | | dwg no | |
| | | | | | | | | 51952-121 | |
| | | | | | | | | sheet | |
| | | | | | | | | 2 of 4 | |

cage code 22526

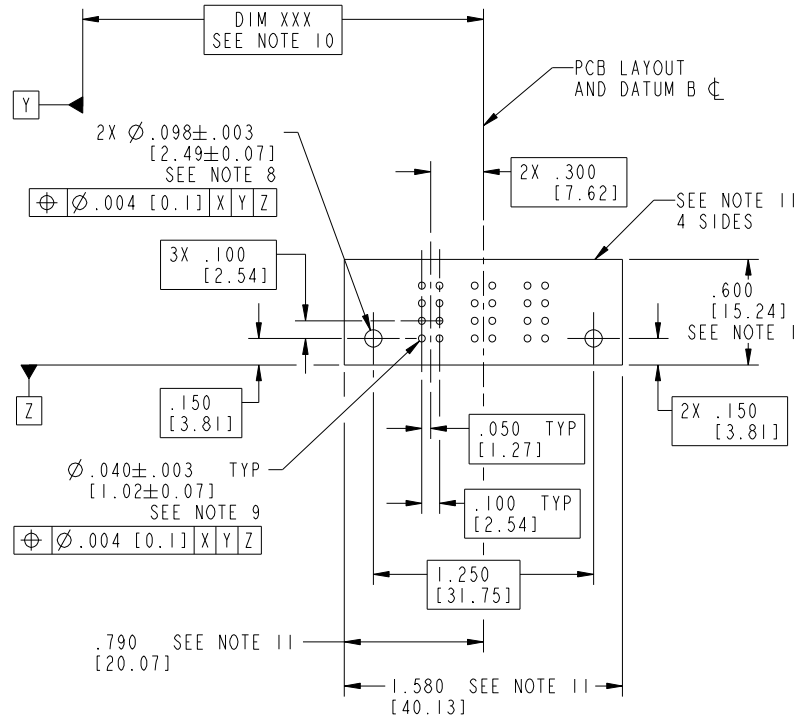
Pro/E

Tous droits strictement reserves. Reproduction ou communication a des tiers interdite sous quelque forme que ce soit sans autorisation écrite du propriétaire. Propriete de c FCI. Droits de reproduction FCI.



All rights strictly reserved. Reproduction or issue to third parties in any form whatever is not permitted without written authority from the proprietor. Property of FCI. Copyright FCI.

PRODUCT NUMBER
51952-121--
NOTE ③



RECOMMENDED PCB LAYOUT

| | | | | | | | | | |
|-------------|----------------|------------|------|---------------------------------------|----------------------|------------|--|---------------------------|--|
| mat'l code | | SEE NOTE 2 | | tolerances unless otherwise specified | | CUSTOMER | | FCI | |
| ltr | ecn no. | dr | date | linear | .XX±.01/0.X±0.3 | COPY | | www.fciconnect.com | |
| A | | | | linear | .XXX±.005/0.XX±0.13 | projection | | title | |
| | | | | angles | .XXX±.002/0.XX±0.051 | | | 3ACP | |
| | | | | dr | 0°±? | INCH/MM | | VERTICAL PRESS-FIT HEADER | |
| | | | | enr | Jerome Chen 07/10/07 | scale | | product family | |
| | | | | chr | Jerome Chen 07/10/07 | 1:1 | | PwrBlade | |
| | | | | appd | Gary Hsieh 07/10/07 | A | | code | |
| | | | | | Joseph Hsia 07/10/07 | size | | 213 | |
| sheet index | revision sheet | | | | | dwg no | | 3 of 4 | |
| | | | | | | 51952-121 | | | |

cage code 22526

Pro/E

Tous droits strictement reserves. Reproduction ou communication a des tiers interdite sous quelque forme que ce soit sans autorisation écrite du propriétaire. Propriete de c FCI. Droits de reproduction FCI.



All rights strictly reserved. Reproduction or issue to third parties in any form whatever is not permitted without written authority from the proprietor. Property of FCI. Copyright FCI.

PRODUCT NUMBER
51952-121--
NOTE ③

NOTES:

1. DIMENSIONS AND TOLERANCES ARE IN ACCORDANCE WITH ASME Y14.5M, 1994 UNLESS OTHERWISE SPECIFIED.

CONNECTOR NOTES:

- ② HOUSING MATERIAL: UL 94 V-0 GLASS FILLED HIGH-TEMP THERMOPLASTIC
POWER CONTACT MATERIAL: COPPER ALLOY
SIGNAL PIN MATERIAL: COPPER ALLOY
- 3. PLATING:
SEE PRINT 10064183 FOR PLATING SPEC OF 51952-121; 51952-121LF
- 4. MANUFACTURER'S NAME, P/N AND DATE CODE TO APPEAR ON THIS SURFACE.
- 5. PRODUCT SPECIFICATION GS-12-149.
APPLICATION SPECIFICATION BUS-20-067.
- 6. PACKAGED IN TRAYS.

PCB NOTES:

- 7. ALL HOLE DIAMETERS ARE FINISHED HOLE SIZE.
- 8. MOUNTING HOLES, WHERE APPLICABLE, ARE UNPLATED.
- 9 $\varnothing .0453 \pm .0010$ [1.151 \pm 0.025] DRILLED HOLES PLATED WITH
.0003 [0.008] MIN SnPb OR Sn OVER .001 [0.03]
TO .003 [0.08] Cu PLATING TO ACHIEVE
 $\varnothing .040 \pm .003$ [1.02 \pm .07] HOLE.
- ⑩ "DIM XXX" TO BE DETERMINED BY THE CUSTOMER.
- ⑪ CONNECTOR KEEP-OUT ZONE.
- 12. FOR PRESS FIT APPLICATION USE FCI
CAM TOOL 430169-038.

| | | | | | | | | | |
|-------------|----------------|------------|------|---------------------------------------|------------------------|----------|---|------------------------|--|
| mat'l code | | SEE NOTE 2 | | tolerances unless otherwise specified | | CUSTOMER | | www.fciconnect.com | |
| ltr | ecn no. | dr | date | linear | .XX±.01/0.X±0.3 | | COPY | | title 3ACP VERTICAL PRESS-FIT HEADER |
| A | | | | | .XXX±.005/0.XX±0.13 | | projection | | |
| | | | | angles | .XXX±.0020/0.XXX±0.051 | | product family PwrBlade code 213 | | |
| | | | | | 0°±2° | | scale | | |
| | | | | dr | Jerome Chen | 07/10/07 | size | | |
| | | | | enr | Jerome Chen | 07/10/07 | dwg no | | |
| | | | | chr | Gary Hsieh | 07/10/07 | A | | |
| | | | | appd | Joseph Hsia | 07/10/07 | 51952-121 | | |
| sheet index | revision sheet | | | | | | sheet | | |
| | | | | | | | 4 of 4 | | |

cage code 22526