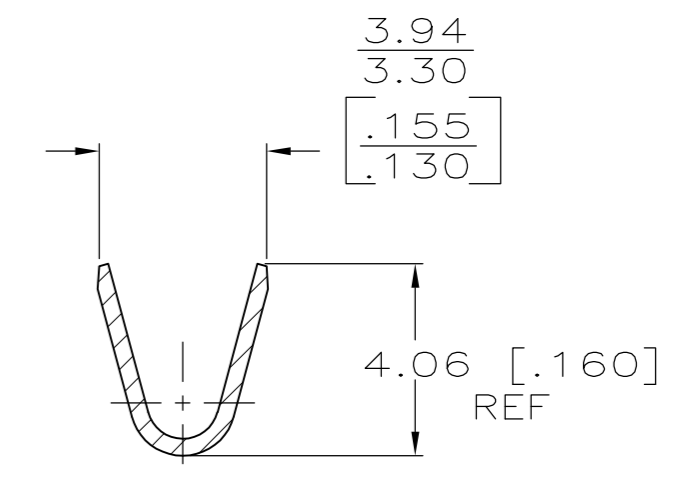
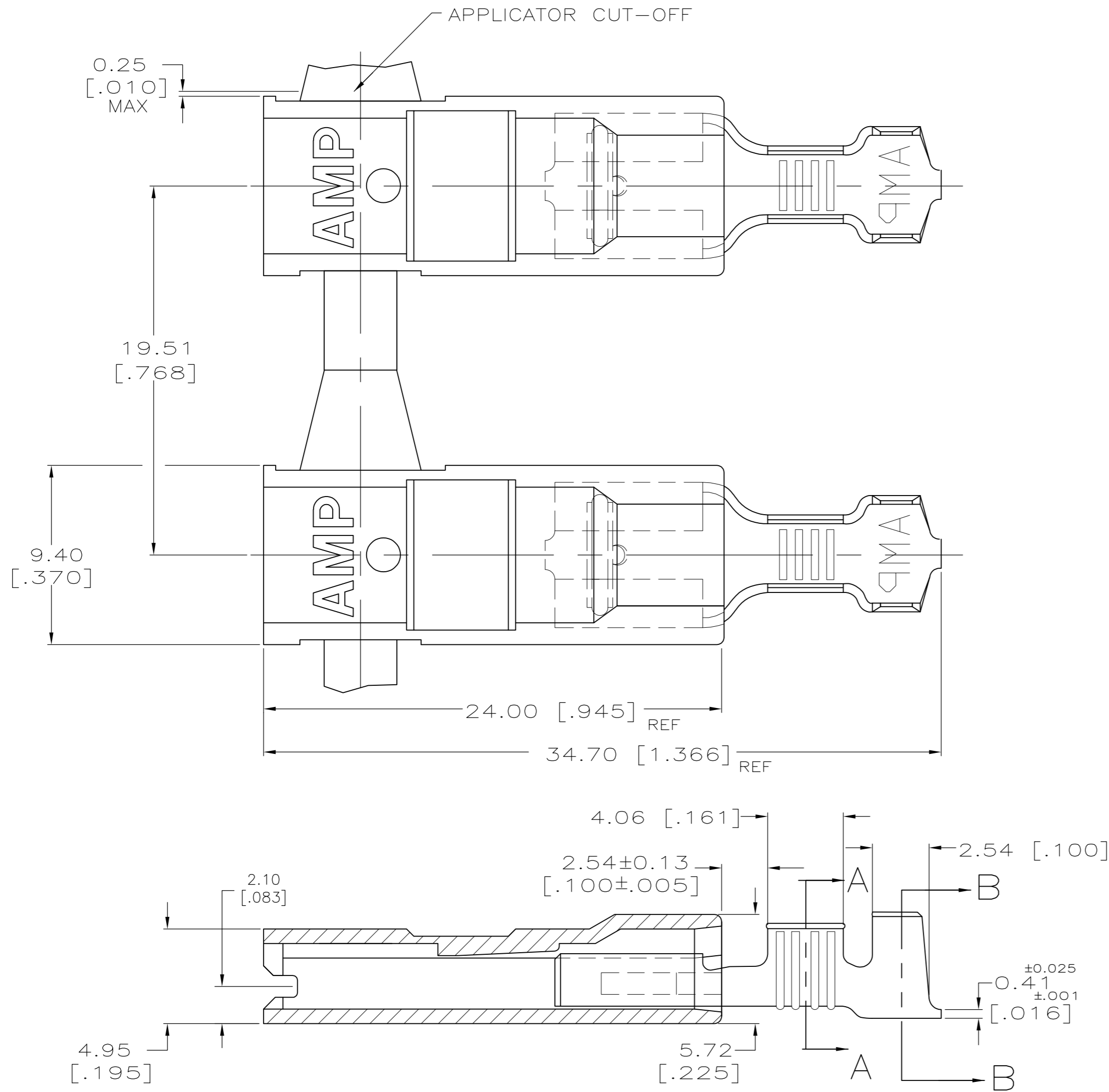


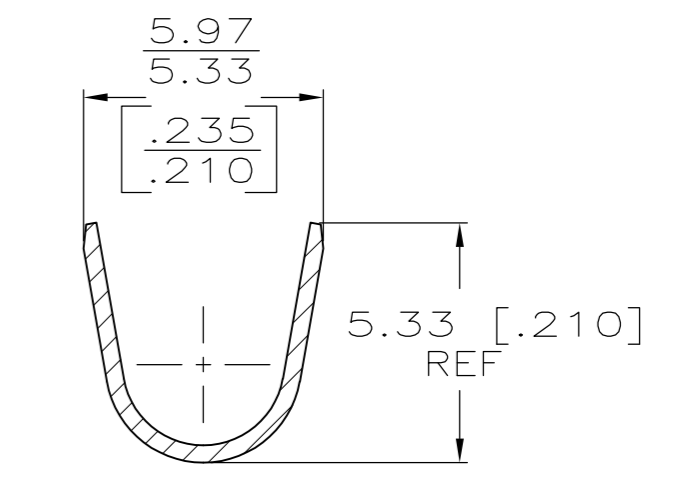
THIS DRAWING IS UNPUBLISHED. RELEASED FOR PUBLICATION
 © COPYRIGHT - By - ALL RIGHTS RESERVED.

LOC	DIST	REVISIONS			
P	LTR	DESCRIPTION	DATE	DWN	APVD
AF	50	A3	REVISED PER ECR-18-002453	02MAR2018	BDA DS

- BUDGET LOW-INSERTION FASTON TERMINALS, BASE P/N 1742971, ARE USED IN THIS PRODUCT.
- WIRE SIZE 0.8-2.0mm [18-14] AWG
- INSULATION RANGE IS 2.79-4.32[.110-.170] DIA.
- MATING TAB THK IS 0.813±0.025[.032±.001].
- OFFERED FOR CONSIDERATION IN APPLICATIONS REQUIRING "NON-DRIP" HOUSING MATERIAL.
- OBSELETE PARTS



SECTION A-A



SECTION B-B

TIN PLATE	VO, NYLON 66, NATURAL (WHITE)	△ 1969529-2
PLAIN		1969529-1
TERMINAL	HOUSING	PART NO.

THIS DRAWING IS A CONTROLLED DOCUMENT.		DWN JR RUTH 08MAY12	TE TE Connectivity	
DIMENSIONS: mm [INCHES]		CHK RAY LANDON 08MAY12		
TOLERANCES UNLESS OTHERWISE SPECIFIED:		APVD RAY LANDON 08MAY12	NAME	
0 PLC ± -	1 PLC ± -	PRODUCT SPEC	ASSEMBLY, ULTRA-POD, RECEPTACLE, 6.35 [.250] SERIES	
2 PLC ± -	3 PLC ± 0.25 [.010]	APPLICATION SPEC	SIZE	CAGE CODE
4 PLC ± -	ANGLES ± -	FINISH	114-2124	00779
MATERIAL BRASS	SEE TABLE	WEIGHT	SCALE	SHEET
		CUSTOMER DRAWING	5:1	1 of 1
			REV	A3