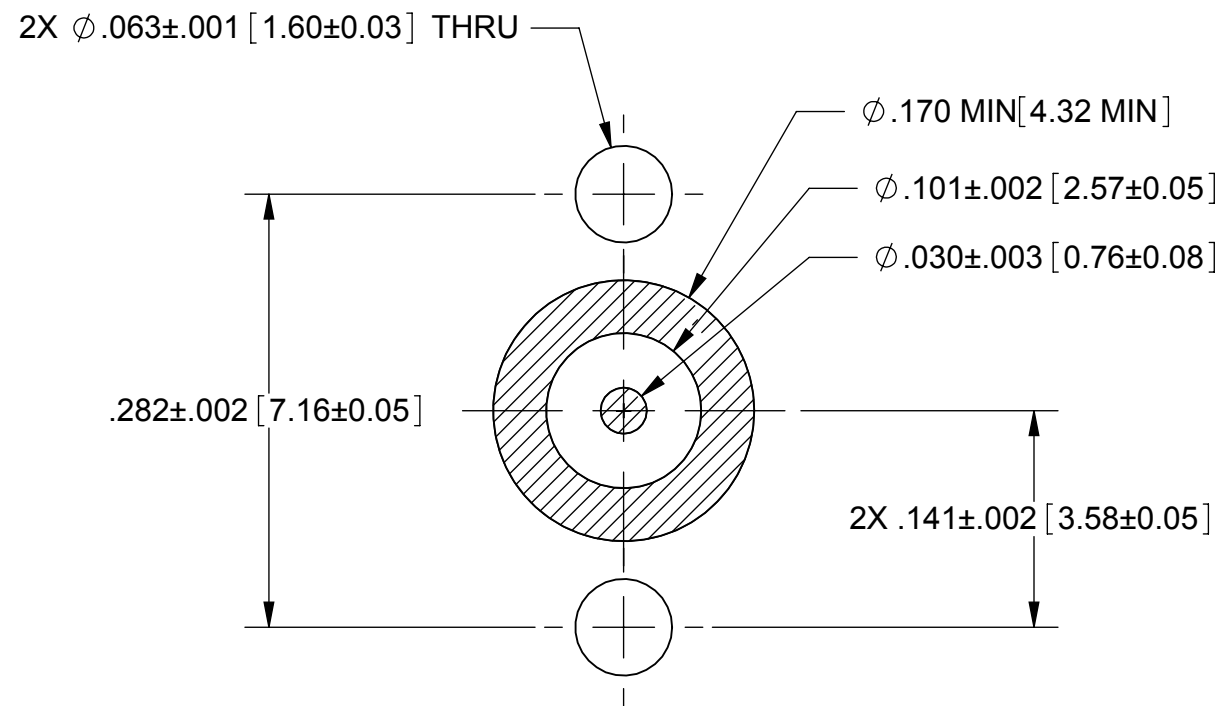
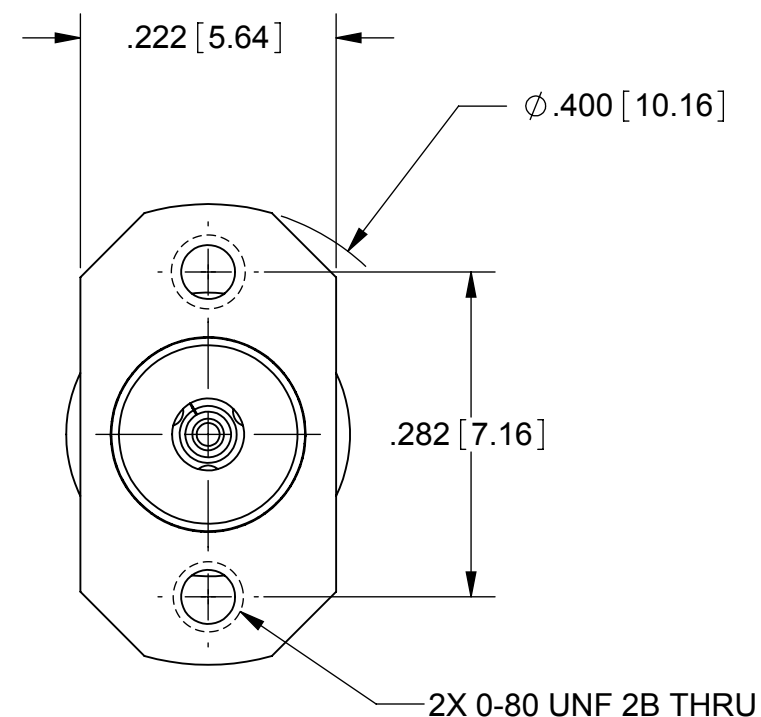
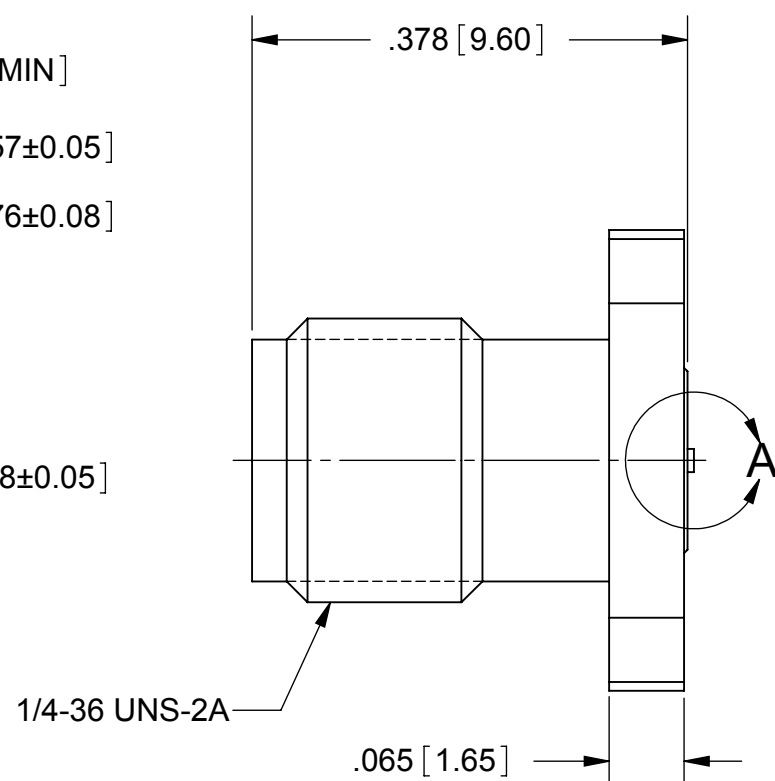


# PRODUCT DATA DRAWING

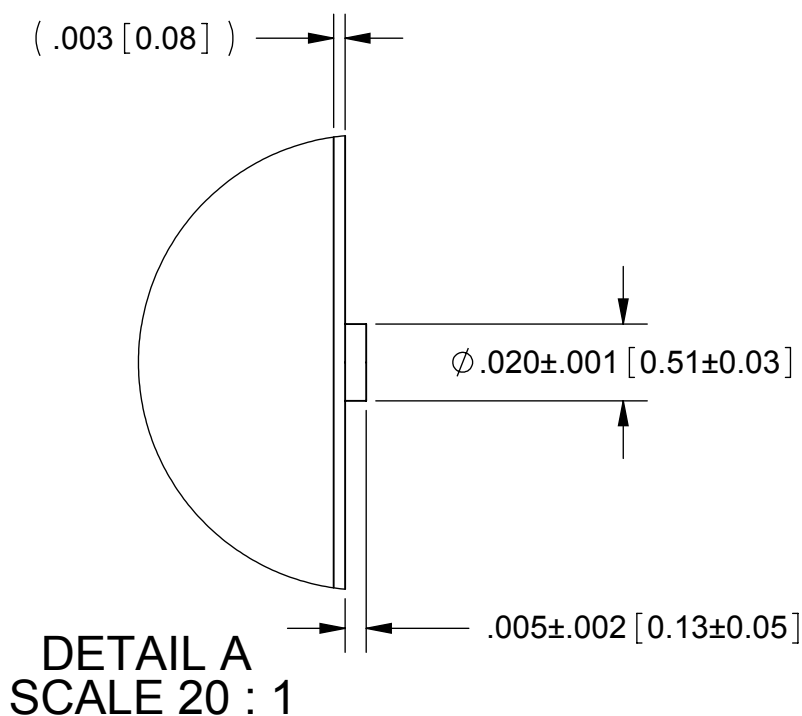
REVISION HISTORY			
REV	DESCRIPTION	DATE	APPROVED
01	PRELIMINARY	08/13	PJS
-	NRN 38351	10/13	STW
A	DCN 41388	06/15	STW



RECOMMENDED PCB LAYOUT



- MATERIAL:**
- BODY & INSERT:** STAINLESS STEEL PER AMS-5640, ALLOY UNS S30300, TYPE 1
- CONTACT:** BERYLLIUM COPPER PER ASTM B196, ALLOY No. UNS C17300, TD04
- INSULATOR:** ULTEM PER ASTM D5205
- FINISH:**
- BODY & INSERT:** PASSIVATED PER AMS-2700.
- CONTACT:** GOLD PER ASTM B488, TYPE II, CODE C, CLASS 1.27, OVER NICKEL PER AMS-QQ-N-290, CLASS 1, .00005" MIN.
- PERFORMANCE:**
- IMPEDANCE:** 50 OHMS
- FREQ. RANGE:** DC TO 40.0 GHz
- VSWR:** 1.30:1 DC TO 40.0 GHz
- INSERTION LOSS:** .05 X SQRT(F(F IN GHz))
- DWV:** 500 VRMS
- ENGAGEMENT/ DISENGAGEMENT:** 2 IN-LBS

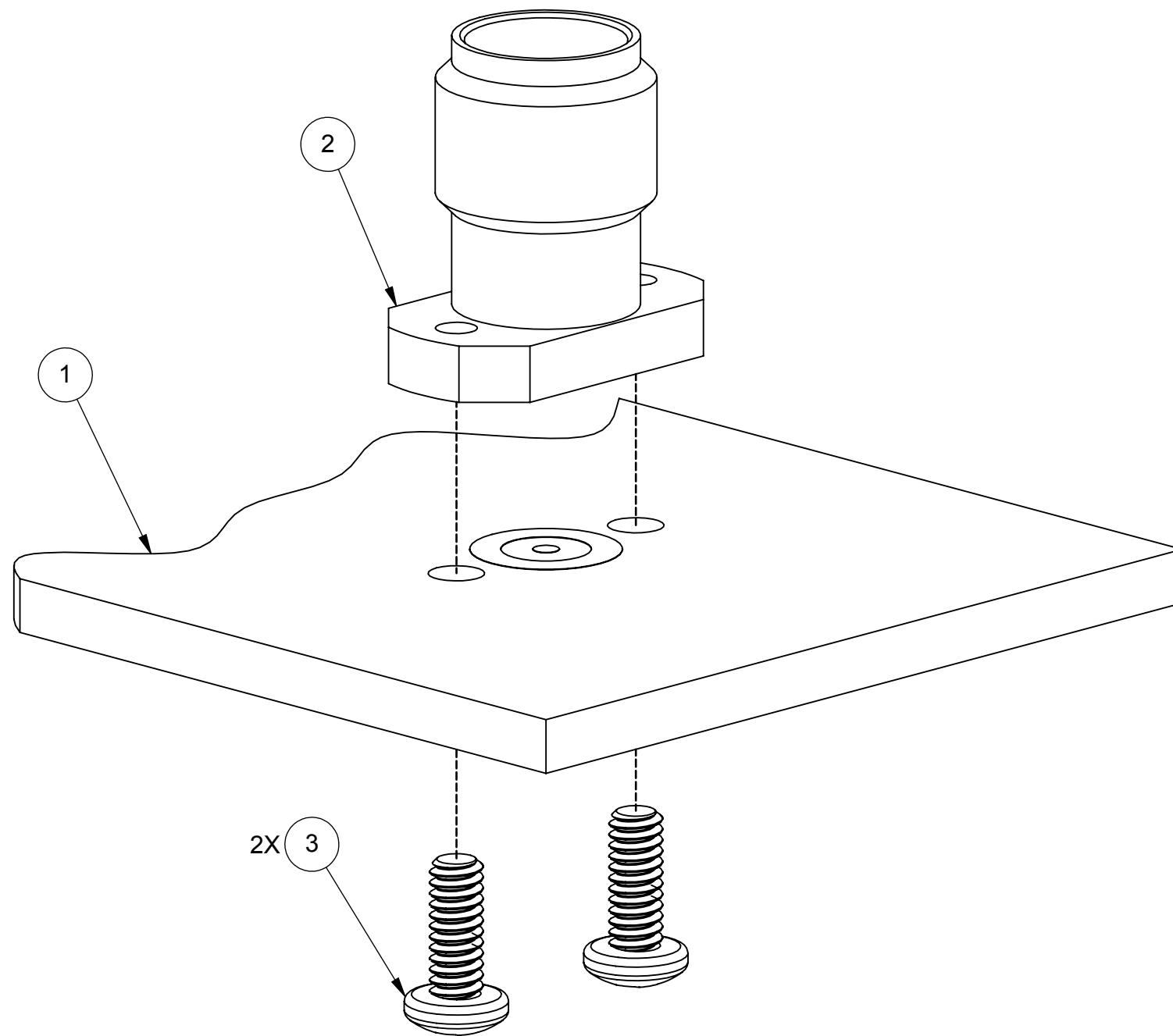
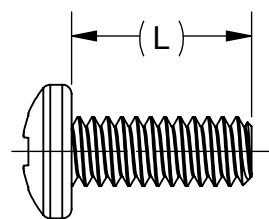


MATERIAL: SEE NOTES	DIMENSIONS ARE IN INCHES TOLERANCES: FRACTIONAL: ±1/64 ANGULAR: X° ±1'0" X°X' ±15'	UNLESS OTHERWISE SPECIFIED 1) ALL DIMENSIONS ARE IN INCHES (MILLIMETERS) 2) ALL DIMENSIONS ARE AFTER PLATING. 3) BREAK CORNERS & EDGES .005 R. MAX. 4) CHAM. 1ST & LAST THREADS. 5) SURFACE ROUGHNESS 63-MIL-STD-10. 6) DIA.'S ON COMMON CENTERS TO BE CONCENTRIC WITHIN .005 T.I.R. 7) REMOVE ALL BURRS	<b>SV Microwave, Inc.</b> 2400 Centrepark West Drive, Suite 100 West Palm Beach, FL 33409
FINISH: SEE NOTES	DECIMAL: X ±.030 .XX ±.010 .XXX ±.005	INTERPRET DIMENSIONS AND TOLERANCES PER ASME Y14.5M - 1994	TITLE: <b>2.92MM JACK FL MT W/ 0-80 UNF THD</b>
SURFACE AREA: N/A	<b>PROPRIETARY</b> THE INFORMATION CONTAINED IN THIS DRAWING IS THE SOLE PROPERTY OF SV MICROWAVE, INC. ANY REPRODUCTION IN PART OR AS A WHOLE WITHOUT THE WRITTEN PERMISSION OF SV MICROWAVE, INC IS PROHIBITED.	THIRD ANGLE PROJECTION	SIZE: <b>B</b> CAGE CODE: <b>95077</b> DWG. NO.: <b>SF1521-60061</b>
		DRAWN: PJS 08/16/13 CHECKED: APPROVED:	SCALE: 6:1 SHEET 1 OF 2

# PRODUCT DATA DRAWING

REVISION HISTORY			
REV	DESCRIPTION	DATE	APPROVED
01	PRELIMINARY	08/13	PJS
-	NRN 38351	10/13	STW
A	DCN 41388	06/15	STW

1. **PCB**
2. **2.92 mm JACK-**  
ALIGN THREADED SCREW HOLES OF CONNECTOR WITH MOUNTING HOLES ON THE PCB.
3. **MOUNTING SCREWS-**  
USING #0-80 UNF MACHINE SCREWS, ATTACH 2.92 mm JACK TO PCB. TIGHTEN SCREWS BETWEEN 0.5-0.8 IN-LBS(FOR THICKNESS OF .030" AND LARGER). SCREWS NOT TO PROTRUDE PAST FLANGE MORE THAN .092 INCHES. SEE TABLE FOR RECOMMENDED SCREW DIMENSIONS.



RECOMMENDED SCREW DIMENSIONS	
L IN [MM]	PCB THICKNESS IN [MM]
.38[9.5]	.170[4.32] TO .295[7.50]
.250[6.35]	.070[1.78] TO .165[4.19]
.190[4.76]	.030[.76] TO .096[2.44]

**NOTES:**

1. OPERATING TEMPERATURE OF CONNECTOR ON PCB IS 0 °C TO +125 °C.

MATERIAL: SEE NOTES	DIMENSIONS ARE IN INCHES TOLERANCES: FRACTIONAL: ±1/64 ANGULAR: X° ±1'0" X'X' ±15'	UNLESS OTHERWISE SPECIFIED 1) ALL DIMENSIONS ARE IN INCHES (MILLIMETERS) 2) ALL DIMENSIONS ARE AFTER PLATING. 3) BREAK CORNERS & EDGES .005 R. MAX. 4) CHAM. 1ST & LAST THREADS. 5) SURFACE ROUGHNESS 63-MIL-STD-10. 6) DIA: 'S ON COMMON CENTERS TO BE CONCENTRIC WITHIN .005 T.I.R. 7) REMOVE ALL BURRS	<b>SV Microwave, Inc.</b> 2400 Centrepark West Drive, Suite 100 West Palm Beach, FL 33409
FINISH: SEE NOTES	DECIMAL: X ±.030 .XX ±.010 .XXX ±.005	INTERPRET DIMENSIONS AND TOLERANCES PER ASME Y14.5M - 1994	TITLE: <b>2.92MM JACK FL MT W/ 0-80 UNF THD</b>
SURFACE AREA: N/A	<b>PROPRIETARY</b> THE INFORMATION CONTAINED IN THIS DRAWING IS THE SOLE PROPERTY OF SV MICROWAVE, INC. ANY REPRODUCTION IN PART OR AS A WHOLE WITHOUT THE WRITTEN PERMISSION OF SV MICROWAVE, INC IS PROHIBITED.	THIRD ANGLE PROJECTION 	SIZE: <b>B</b> CAGE CODE: <b>95077</b> DWG. NO.: <b>SF1521-60061</b>
		DRAWN: PJS 08/16/13 CHECKED: APPROVED:	SCALE: 6:1 SHEET 2 OF 2