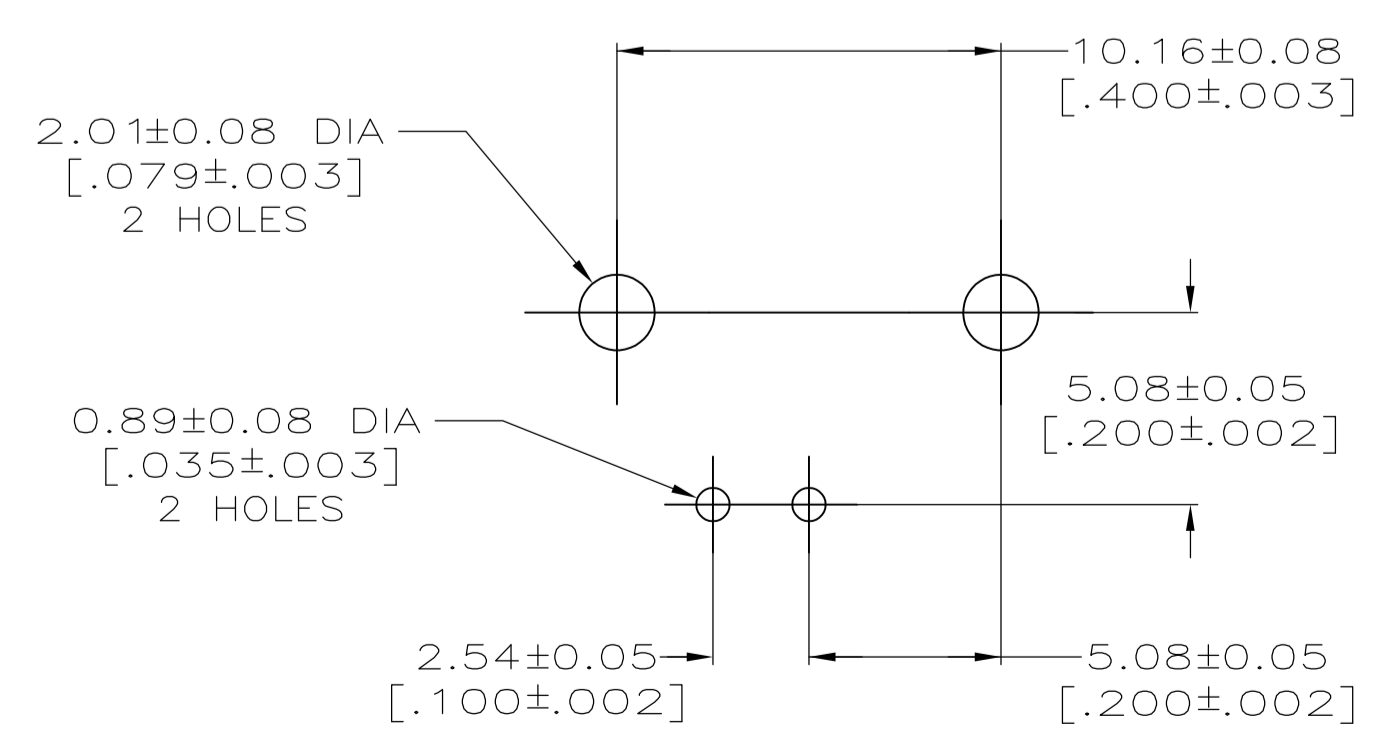
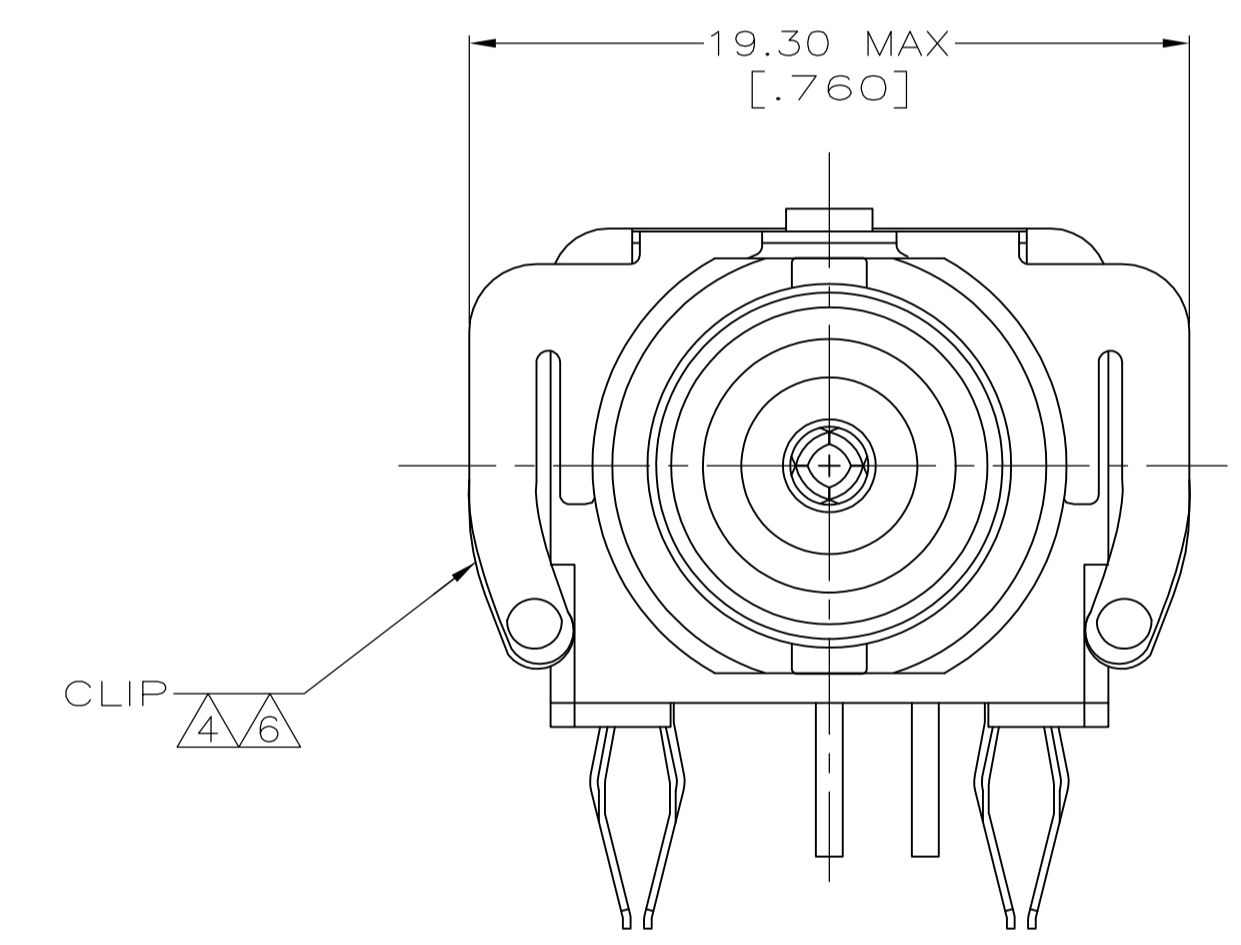
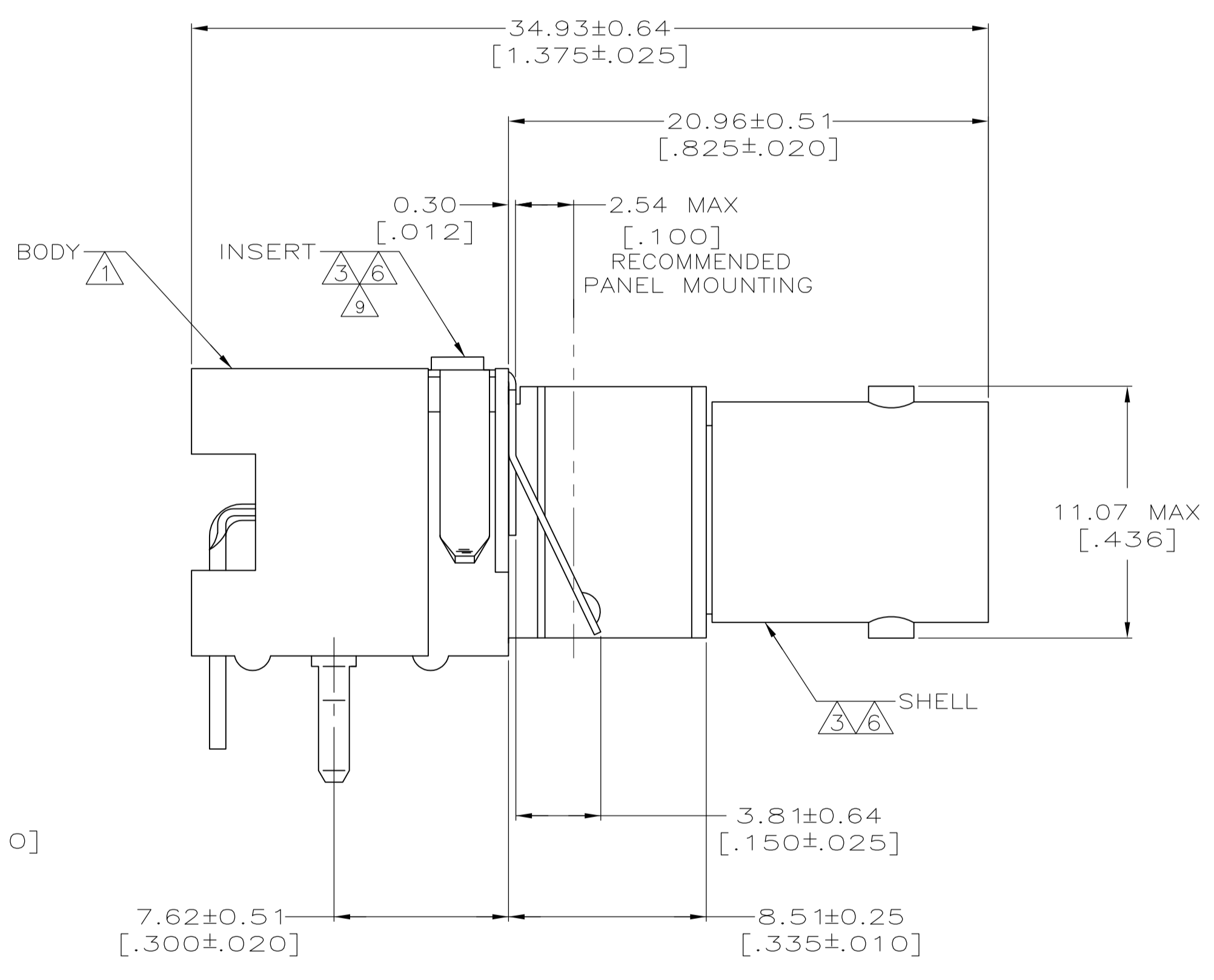
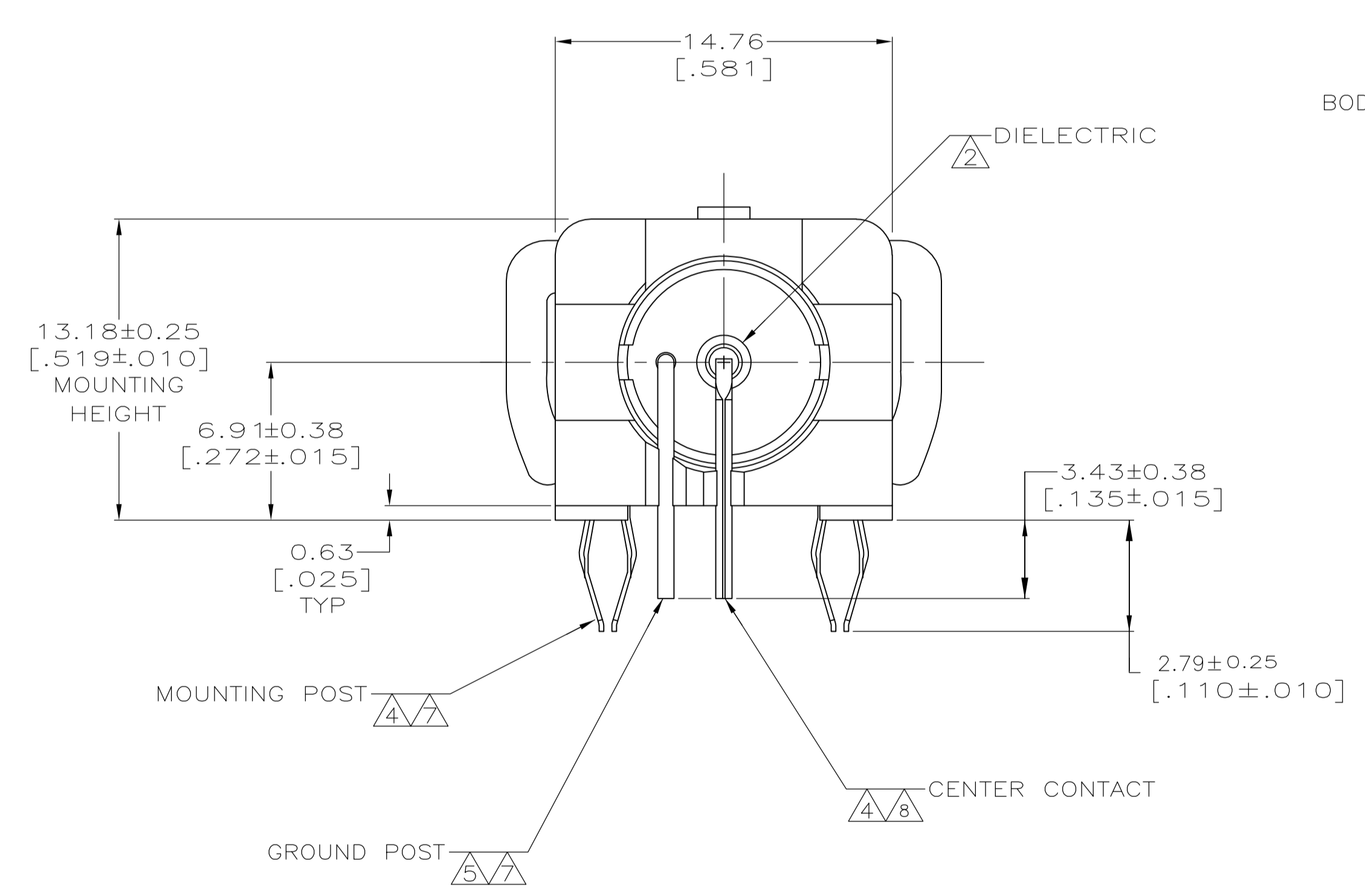
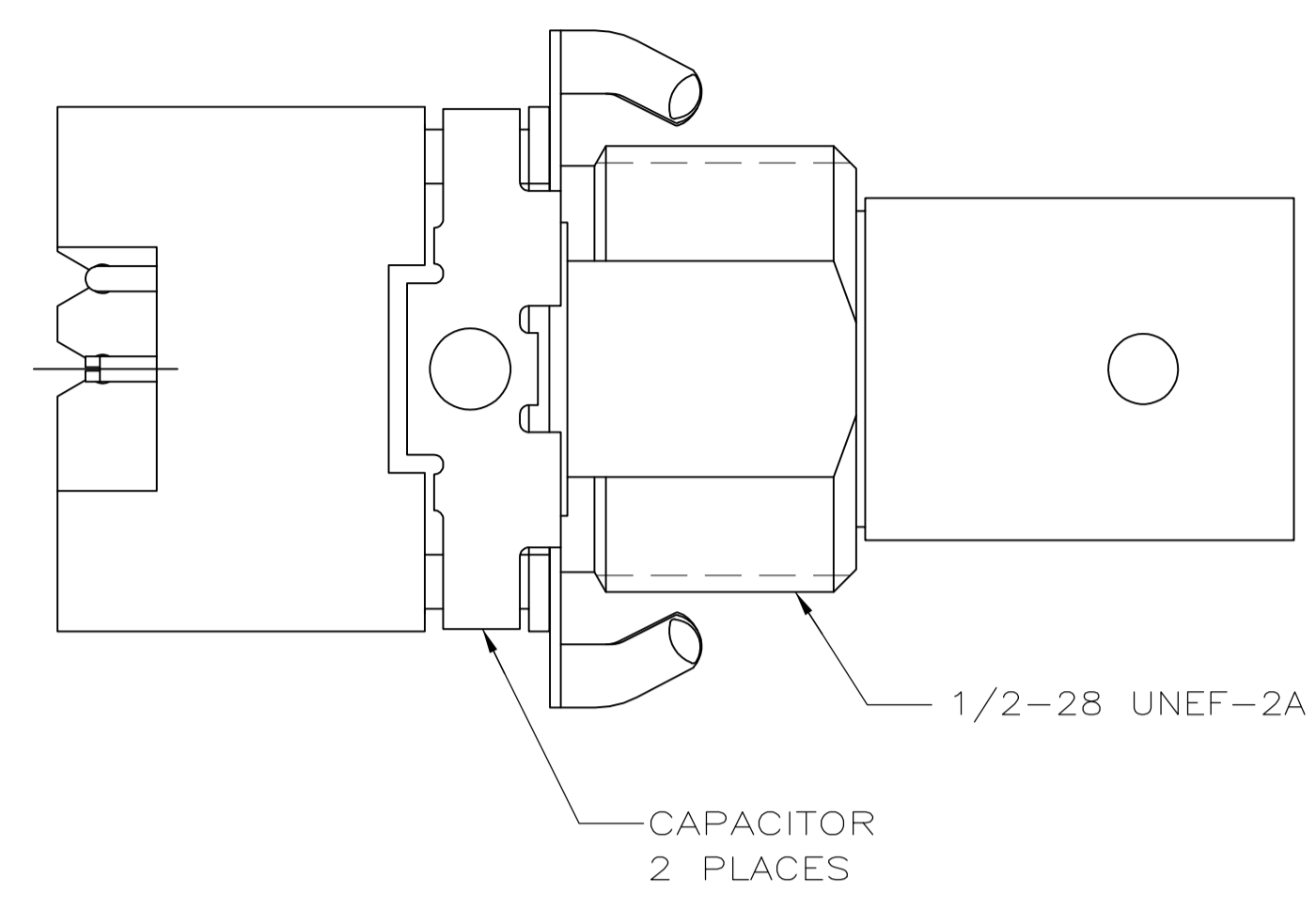
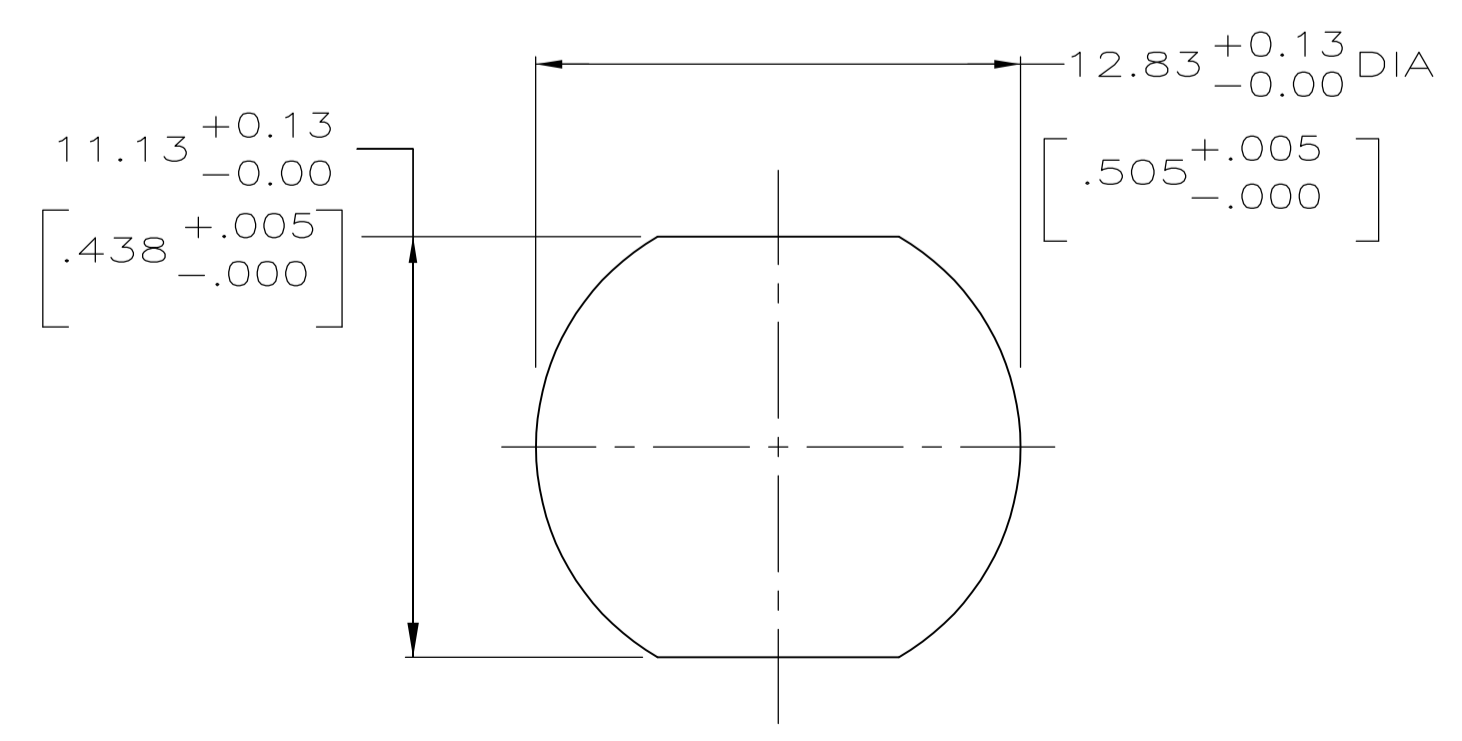


- ① POLYESTER, PBT, BLACK, PER MIL-M-24519.
- ② POLYMETHYLPENTENE GENERAL PURPOSE.
- ③ ZINC PER QQ-Z-363.
- ④ PHOSPHOR BRONZE PER QQ-B-750.
- ⑤ BRASS PER ASTM-B-453.
- ⑥ NICKEL PL PER QQ-N-290.
- ⑦ TIN PLATE PER ASTM-B-545
- ⑧ SELECTIVELY GOLD PLATED ON INTERFACE AREA PER MIL-G-45204, 0.76 [.000030] THK, TIN PLATE ON SOLDER TAIL PER ASTM-B-545, ALL OVER NICKEL PL PER QQ-N-290.
- ⑨ ESD DEVICE, VOLTAGE BREAKDOWN <3.5KVDC.



PCB CONFIGURATION



RECOMMENDED PANEL CUTOUT

7900 pf, 1500 VDC	5414651-3
CAPACITANCE & VOLTAGE	PART NUMBER

THIS DRAWING IS A CONTROLLED DOCUMENT.		DWN: MCMASTER CHK: J. LIPPERT APVD: J. LIPPERT		Tyco Electronics Corporation Harrisburg, Pa 17105-3608	
DIMENSIONS: INCHES TOLERANCES UNLESS OTHERWISE SPECIFIED: 0 PLC ± - 1 PLC ± - 2 PLC ± 0.20 [.008] 3 PLC ± - 4 PLC ± - ANGLES ± -		PRODUCT SPEC: 108-1269 APPLICATION SPEC:		NAME: JACK, DECOUPLER, PCB RIGHT ANGLE, LOW PROFILE, ESD PROTECTED, BNC	
MATERIAL: SEE NOTES 1 - 5		FINISH: SEE NOTES 6-8		WEIGHT: - RESTRICTED CUSTOMER:	
		SCALE: 5:1 SHEET: 1 OF 1 REV: A		DRAWING NO: A100779 C=5414651	