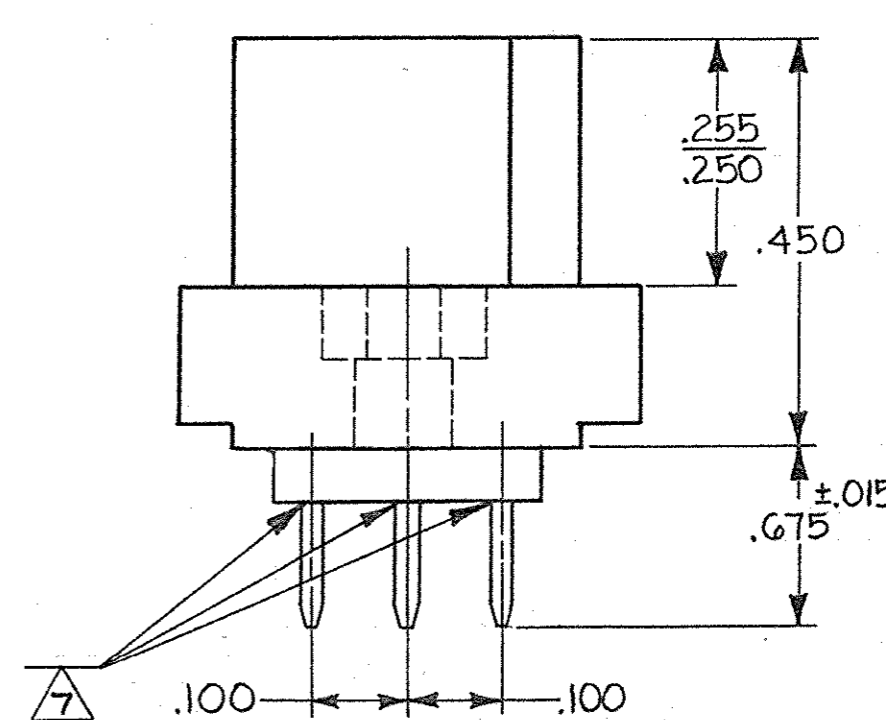
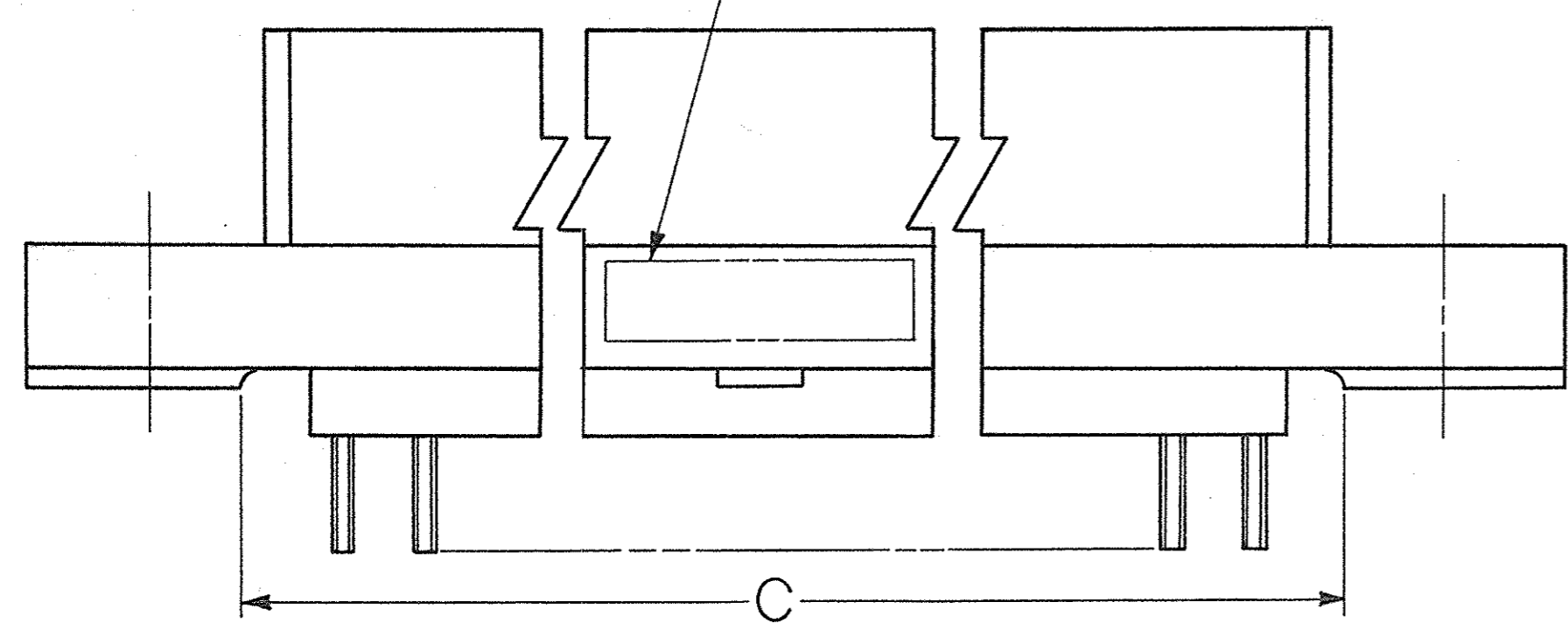
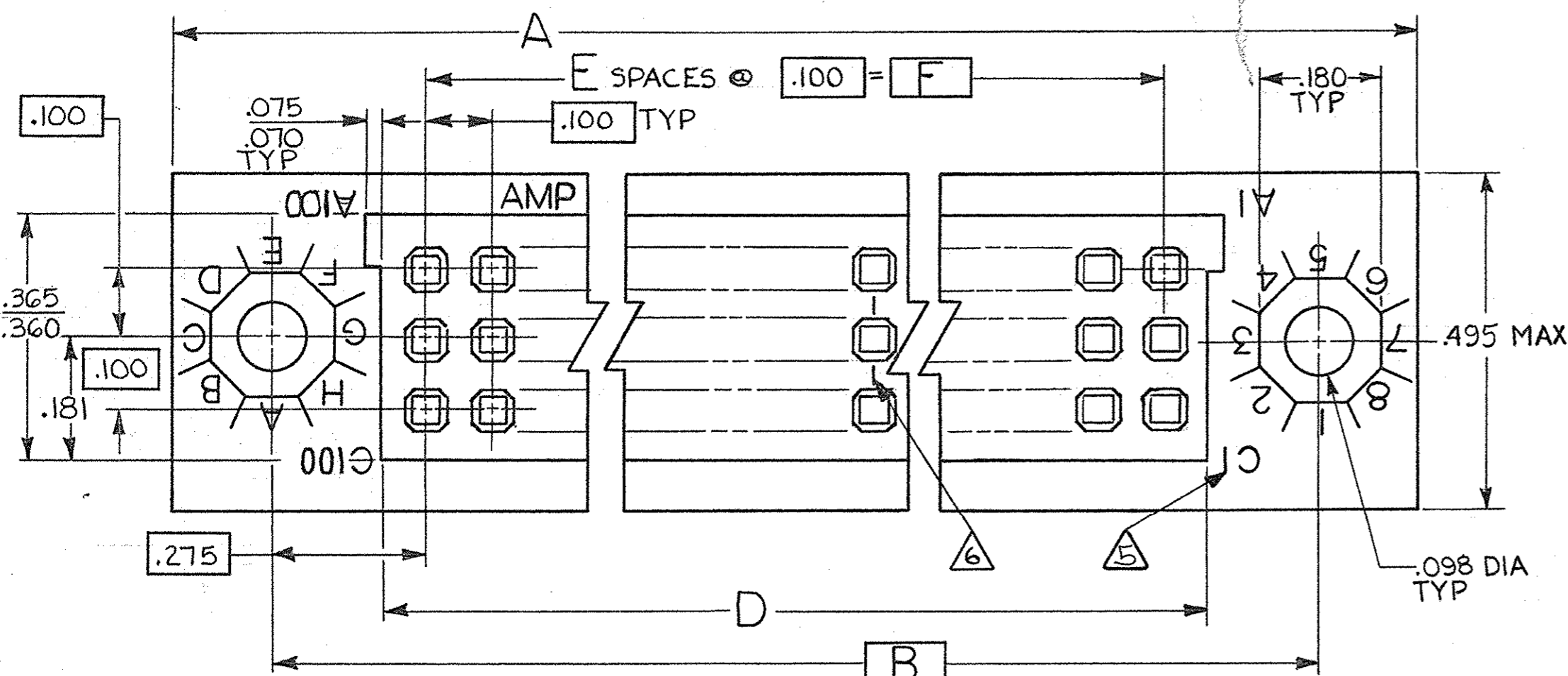


© COPYRIGHT 19 BY AMP INCORPORATED, HARRISBURG, PA.
 ALL INTERNATIONAL RIGHTS RESERVED. AMP INCORPORATED PRODUCTS
 COVERED BY U. S. AND FOREIGN PATENTS AND/OR PATENTS PENDING.

REVISIONS						
P	F	ZONE	LTR	DESCRIPTION	DATE	APPROVED
			A	REVISED 6424 m.s.	12-14-77	WHP
			A1	ADDED 1--1 6499 m.s.	2-20-80	WHP
			A2	ADDED NOTE 7 & 1'-2 7848,7851	3-82	EAM
			A3	REVISED ECN 7982 WPL	6-82	EAM
B			B	REVISED 8171 m.s.	10-82	EAM
			C	REV PER ECN AB-0522 db	2-85	EAM
			C1	REV PER ECN AB-1529 db	4-86	EAM
			D	REV. PER DF-0457		9PB
			E	REV PER DF-0117 ETG	8-88	9PB
			F	REV PER DF-6974 TA	3/93	9PB
			G	REV 0600-5641-96 TT	9-97	9PB
			H	REV 0600-6467-97 TT	10-98	9PB
			K	REV PER ECO-05-013278	11-05	PY
			L	REV PER OK14-0208-05	1-06	PY



- ① AMP, DATE CODE AND PART NUMBER MARKED THIS AREA
- ② HOUSING MATERIAL: POLYPHENYLENE SULFIDE GST-40F PER MIL-M-24519.
- ③ CONTACT MATERIAL-BERYLLIUM COPPER OR COPPER-NICKEL-SILICONE
- ④ FINISH-.000030 GOLD IN CONTACT AREA OVER .000030 NICKEL ALL OVER WITH TIN-LEAD PLATED POSTS.
- ⑤ LETTERS INDICATING OUTSIDE ROWS AND NUMBERS INDICATING END CAVITIES MARKED ON THIS SURFACE.
- ⑥ LINES INDICATING EVERY FIVE CAVITIES MARKED ON MATING FACE.
- ⑦ EPOXY ADDED TO AREA WHERE THE CONTACT POSTS EMERGE FROM THE STABILIZER TO INSURE POST TRUE POSITION.
- ⑧ FINISH: .000030 GOLD IN CONTACT AREA OVER .000030 NICKEL ALL OVER WITH TIN PLATED POSTS

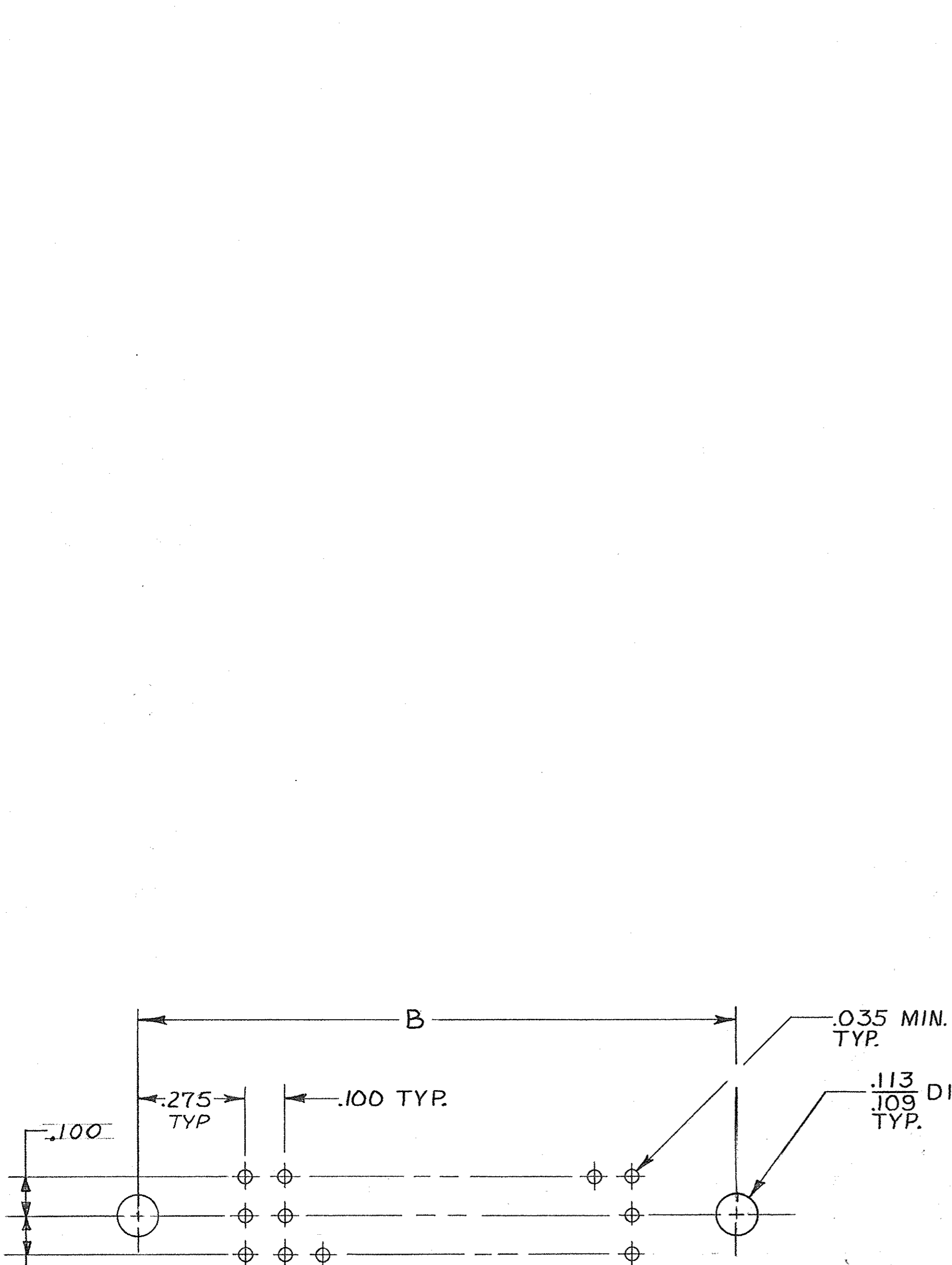
UNLESS OTHERWISE SPECIFIED DIMENSIONS ARE IN INCHES. TOLERANCES ON: DECIMALS ± .010 ANGLES ± .010		CONTRACT NO DR Debra Kelly 8-7-79 CHK W. Hitchcock Jr. 9/12/79 APPD W. Hitchcock Jr. 9/12/79 APPD W. Hitchcock Jr. 9/12/79 DSGN APPD OTHER APPD		PART NO	
MATERIAL ②③	AMP INCORPORATED Harrisburg, Pa.		NAME RECEPTACLE ASS'Y .100 C, 3 ROW W/ MOUNTING EARS, BOX CONTACT, WIRE WRAP POST		
FINISH ④⑧	SIZE C	CODE 00779	IDENT NO 531139	DRAWING NO 531139	
SCALE 5:1		SHEET 1 OF 2			

531139

© COPYRIGHT 19... BY AMP INCORPORATED, HARRISBURG, PA.
ALL INTERNATIONAL RIGHTS RESERVED. AMP INCORPORATED PRODUCTS
COVERED BY U. S. AND FOREIGN PATENTS AND/OR PATENTS PENDING.

REVISIONS						
P	F	ZONE	LTR	DESCRIPTION	DATE	APPROVED

SEE SHEET 11



	2.900	29	3.024	3.125	3.450	3.750	90	5-531139-1	
4	OBSOLETE	9.900	99	10.024	10.125	10.450	10.750	300	1-531139-5
	OBSOLETE	8.900	89	9.024	9.125	9.450	9.750	270	1-4
	OBSOLETE	6.400	64	6.524	6.625	6.950	7.250	195	1-3
	OBSOLETE	4.400	44	4.524	4.625	4.950	5.250	135	1-531139-2
	OBSOLETE	3.200	32	3.324	3.425	3.750	4.050	99	1-1
	OBSOLETE	4.100	41	4.224	4.325	4.650	4.950	126	1-0
	OBSOLETE	4.000	40	4.124	4.225	4.550	4.850	123	-9
	OBSOLETE	7.900	79	8.024	8.125	8.450	8.750	240	-8
4	OBSOLETE	6.900	69	7.024	7.125	7.450	7.750	210	-7
	OBSOLETE	5.900	59	6.024	6.125	6.450	6.750	180	-6
4	OBSOLETE	5.400	54	5.524	5.625	5.950	6.250	165	-5
4	OBSOLETE	4.900	49	5.024	5.125	5.450	5.750	150	-4
	OBSOLETE	3.900	39	4.024	4.125	4.450	4.750	120	-3
4	OBSOLETE	3.400	34	3.524	3.625	3.950	4.250	105	-2
		2.900	29	3.024	3.125	3.450	3.750	90	531139-1

531139

		F	E	D	C	B	A	NO. OF POSITIONS	PART NO
UNLESS OTHERWISE SPECIFIED DIMENSIONS ARE IN INCHES.		CONTRACT NO							
TOLERANCES ON:		DR Debra Kelly 8-7-79							
DECIMALS ± .010		CHK W. Fitchard Jr. 9/12/79							
ANGLES ±		APPD W. Fitchard Jr. 9/12/79							
MATERIAL		APPD W. Fitchard Jr. 9/12/79							
FINISH		DSGN APPD 25 September 9/12/79							
		OTHER APPD							
		NAME							
		AMP INCORPORATED Harrisburg, Pa.							
		RECEPTACLE ASS'Y, .100" C, 3 ROW, W/ MOUNTING EARS, BOX CONTACT, WIRE WRAP POST							
		SIZE		CODE IDENT NO		DRAWING NO			
		C		00779		531139			
		SCALE 4:1				SHEET 2			