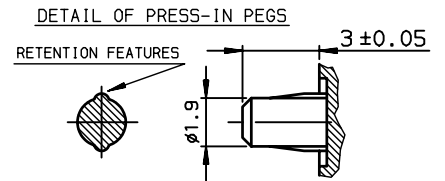
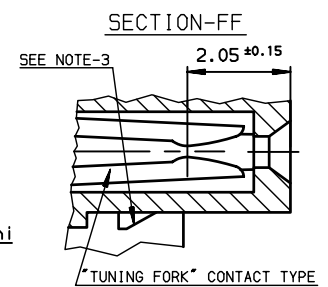
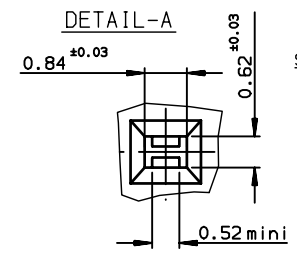
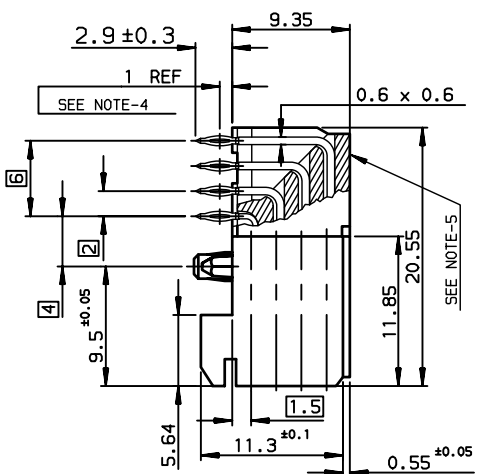
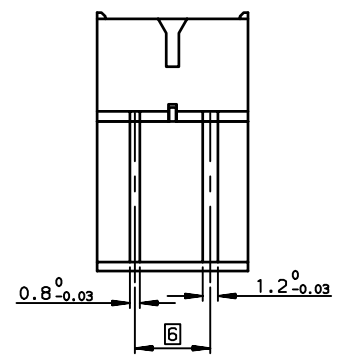
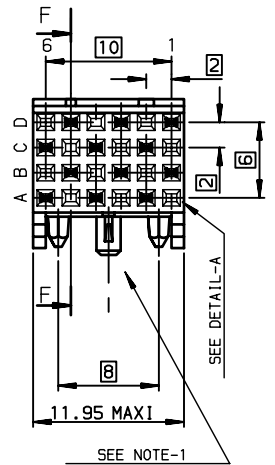
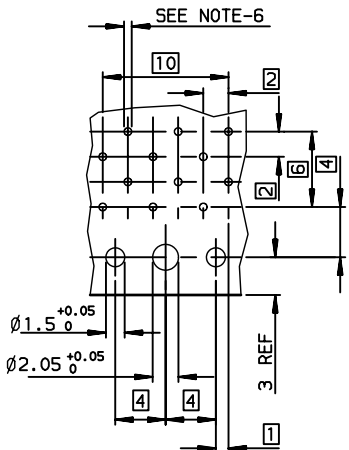


LAYOUT FOR P.C.B



TIN LEAD PART NUMBER  
PART NUMBER : HM1F41FDP131H6

LEAD-FREE PART NUMBER  
PART NUMBER : HM1F41FDP131H6LF

CONTACTS IN POSITION : ROW a-c CAVITY 2-4-6 AND ROW b-d CAVITY 1-3-5

- NOTE-1: PRESS-IN RETENTION PEG
- NOTE-2: CONNECTORS WITH PCB-2.4mm ARE COMPATIBLE WITH WIDE AND NARROW BODIES
- NOTE-3: PLUG FOR CODING KEY FIXING
- NOTE-4: EYE OF THE NEEDLE PRESS-FIT CTS TYPE
- NOTE-5: FLAT ROCK INSERTION TOOLING IN PCB, SEE DRW REF: C-8626-1003
- NOTE-6: METALIZED HOLE DEFINITION, SEE GS-12-447
- NOTE-7: PRESS FIT PIN FOR PCB HOLE Ø 0.7 REF
- NOTE-8: STANDARD PACKAGING IS IN TUBE ,BUT IF SUFFIX "P" IS ADDED IN P/N ,PACKAGING IS IN TRAYS ,BUT CONNECTOR MARKING IS WITHOUT "P"  
Example: HM1FxxxxxxxH6PLF, marking: HM1FxxxxxxxH6LF

GENERAL CHARACTERISTICS AND ROHS INFORMATIONS:

SEE GS-12-447

European Views

rev	ecn no	dr	date
A	-	-	1996/01/12
B	LS05-004	MLE	2005/02/17
C	LS06-0095	LGO	2006/07/12
D	LS06-0159	MLE	2006/10/30
E	LS07-0266	MLE	2007/11/06
-	-	-	-
-	-	-	-

www.fciconnect.com		surface ISO 1302 ✓	tolerance std ISO 406 ISO 1101	projection mm
TOLERANCES UNLESS OTHERWISE SPECIFIED				
Dr	CHAMPION	1996/01/12	ANGULAR	0.X ± 0.1
Eng	LENOIR	1996/01/12	LINEAR	0.XX ± 0.1
Chr	LEGARE	1996/01/12	0.XX' ± 2'	0.XXX ± 0.1
Appr	LEGARE	1996/01/12	Product family	METRAL
title METRAL FEMALE 4 ROWS 12 CTS			size A3	Scale 2.5
catalog no			ECN LS07-0266	Spec ref -
dwg no			C-8626-0710	Rev. E
CUSTOMER			sheet 1 of 1	

Copyright FCI.