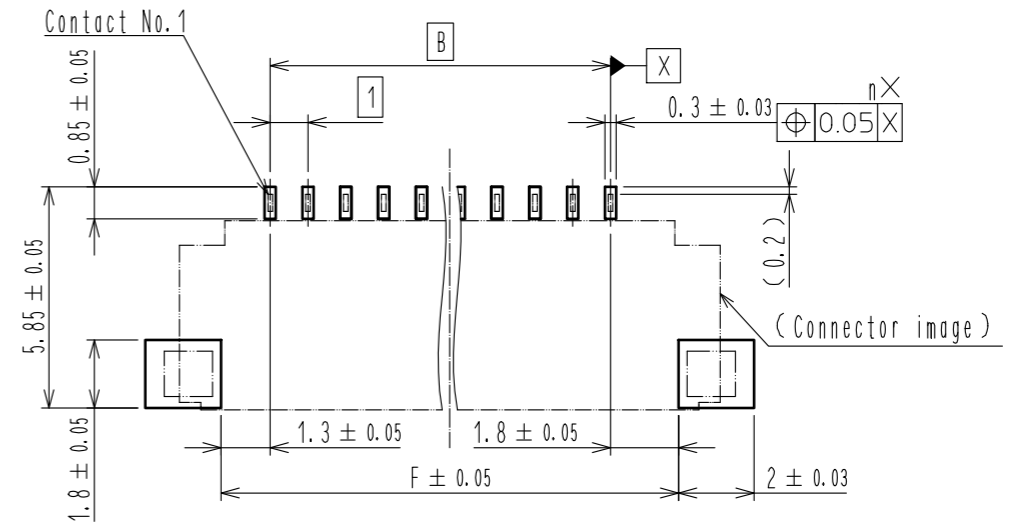
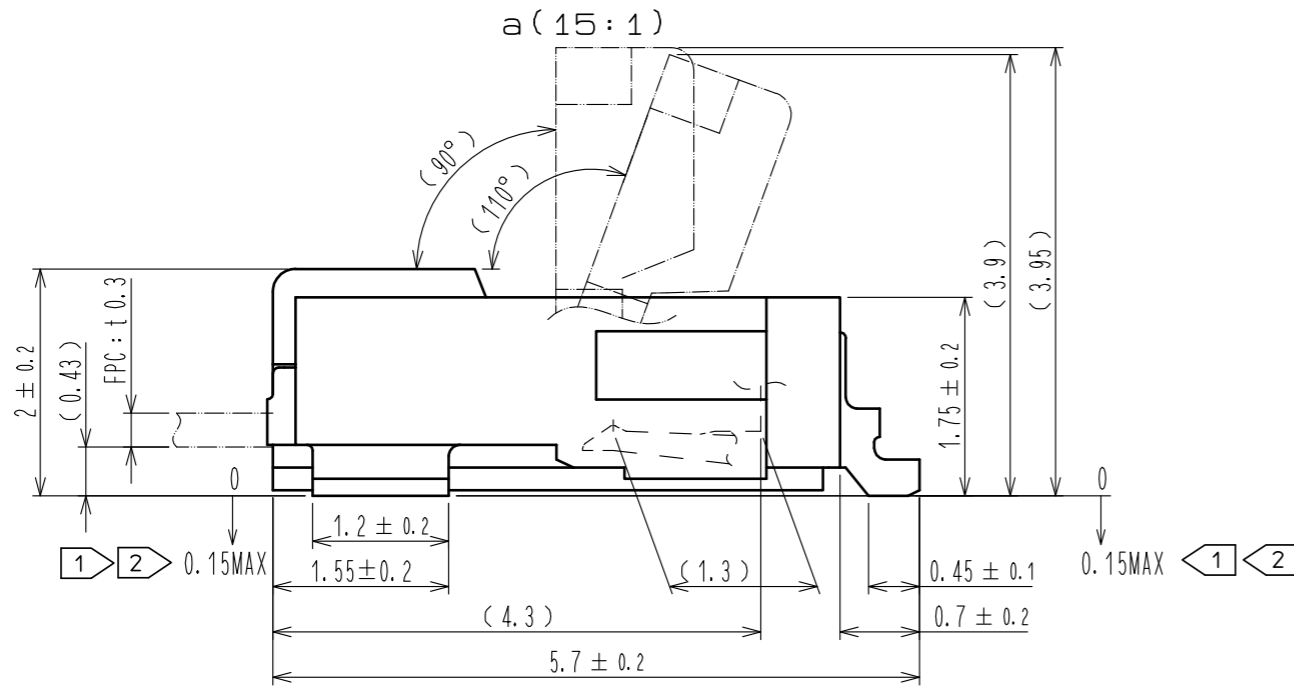
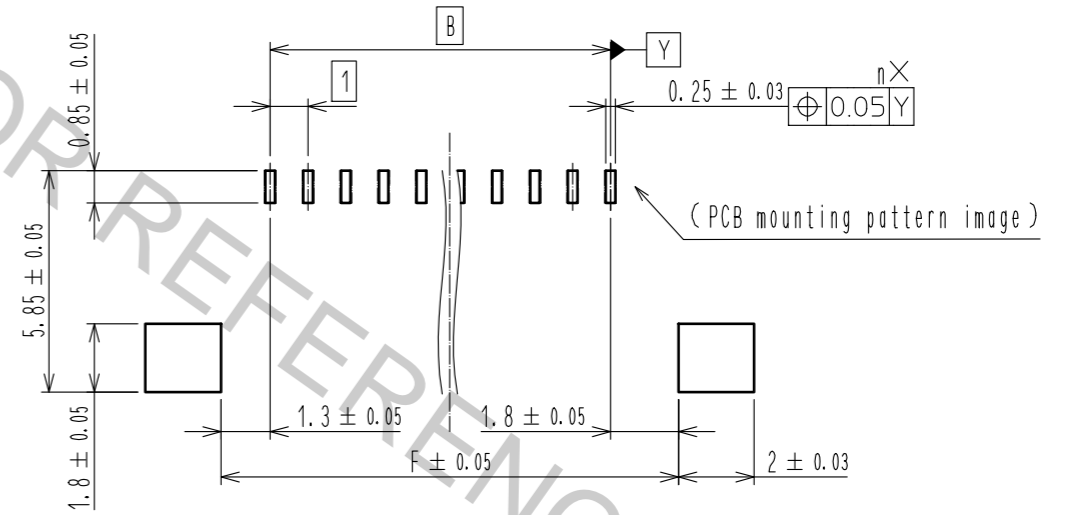


RECOMMENDED PCB MOUNTING PATTERN



RECOMMENDED STENCIL PATTERN
 (RECOMMENDED STENCIL THICKNESS : $t=0.12$)

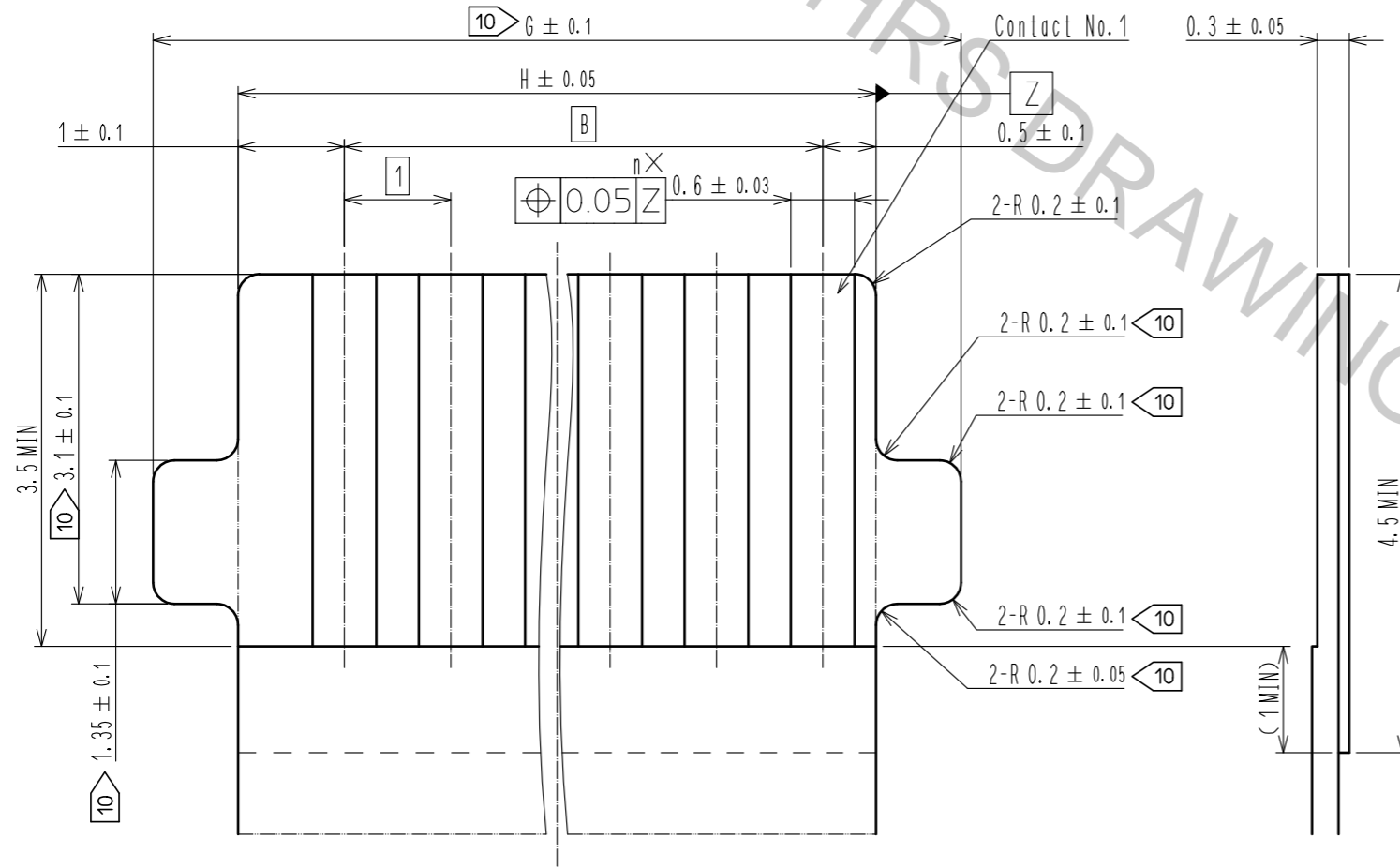


- NOTES
- 1 Lead CO-PLANARITY including reinforced metal fittings shall be 0.1 MAX.
 - 2 Dimension: from reference b.
 3. To be delivered with tape and reel packages.
 4. Note that preventive hole for sink mark could be added for improvement.
 5. The quality remains good. Even with the dark spots, which could occasionally occur molded plastics.
 6. This product satisfies halogen free requirements defined as 900ppm maximum chlorine, 900ppm maximum bromine, and 1500ppm maximum total of chlorine and bromine.
 - 7 Shows actuator configuration of 30 pos.
 8. 'n' represents the number of contacts.
 9. The dimension in parentheses are for reference.

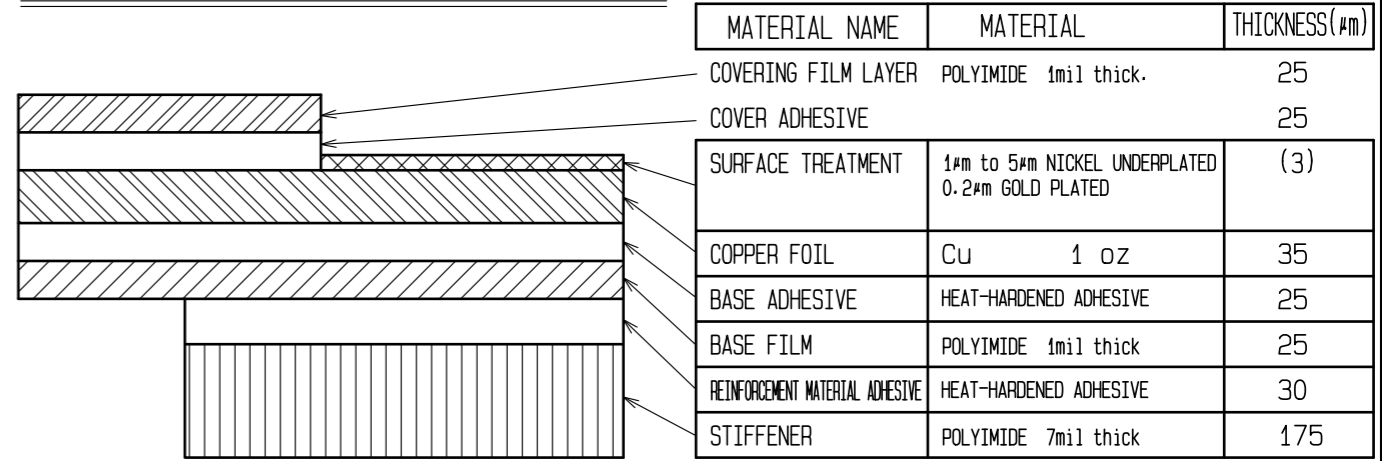
4	BRASS	TIN PLATING 3#m MIN OVER NICKEL 1#m MIN	8	(CONNECTOR)	
3	PHOSPHOR BRONZE	(CONTACT AREA, LEAD) GOLD 0.03#mMIN OVER NICKEL 1#mMIN (OTHER) NICKEL PLATING 1#mMIN	7	POLYSTYRENE	
2	LCP	BLACK UL94V-0	6	POLYESTER	
1	LCP	GRAY UL94V-0	5	POLYSTYRENE	
NO.	MATERIAL	FINISH . REMARKS	NO.	MATERIAL	FINISH . REMARKS
UNITS mm		SCALE 5 : 1	COUNT	DESCRIPTION OF REVISIONS	
HRS HIROSE ELECTRIC CO., LTD.		APPROVED : NF. MIYAZAKI 15.03.04	DESIGNED	EDC-359845-00-00	
		CHECKED : SJ. OKAMURA 15.03.03	CHECKED	FH52E-*(*)SB-1SH	
		DESIGNED : HK. KINOUCI 15.03.03	DATE	CL580	
		DRAWN : HK. KINOUCI 15.03.03		1/6	

Apr.1.2017 Copyright 2017 HIROSE ELECTRIC CO., LTD. All Rights Reserved.

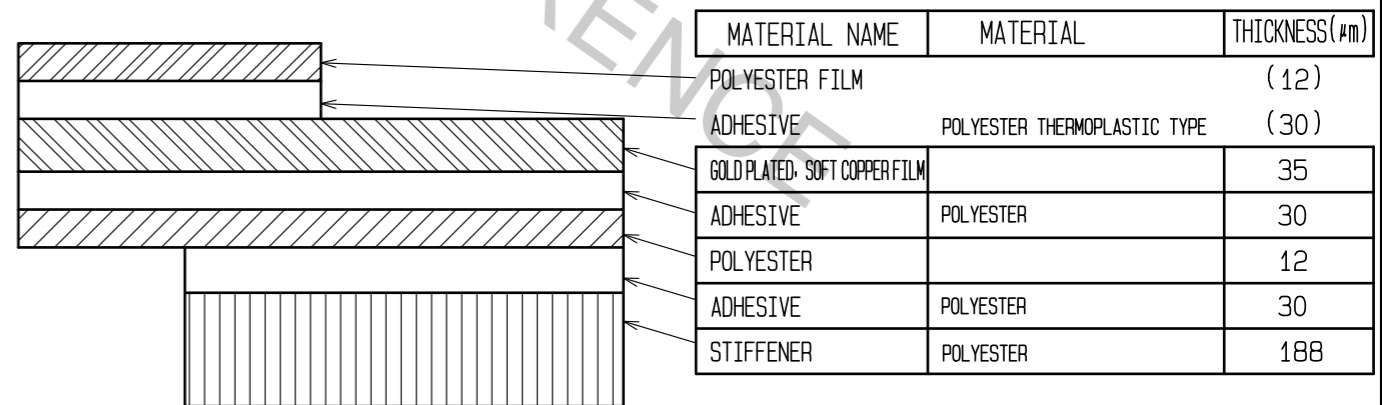
RECOMMENDED FPC/FFC (15:1)



FPC CONFIGURATION (REFERENCE EXAMPLE) (SCALE:FREE)



FFC CONFIGURATION (REFERENCE EXAMPLE) (SCALE:FREE)



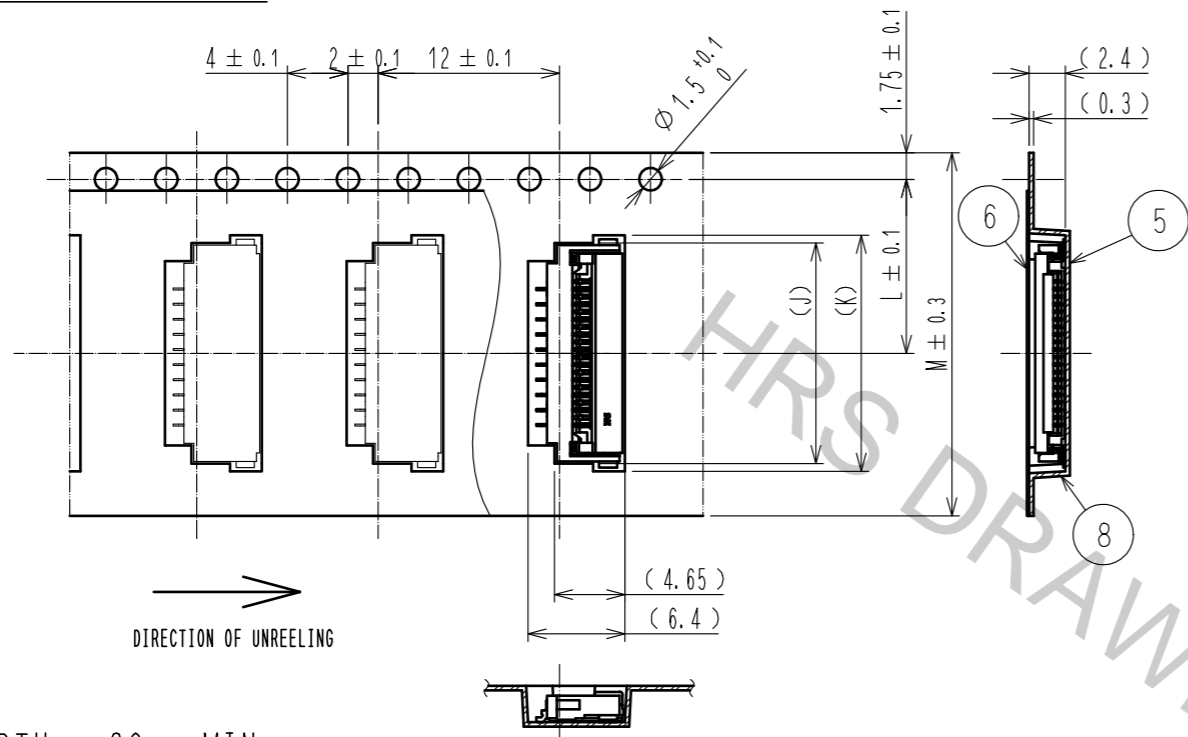
NOTES 10 FPC/FFC without tabs is also available.
In case of using FPC/FFC without tabs, dimensions relating tabs are not required.

HRS	DRAWING NO.	EDC-359845-00-00
	PART NO.	FH52E-*(*)SB-1SH
	CODE NO.	CL580

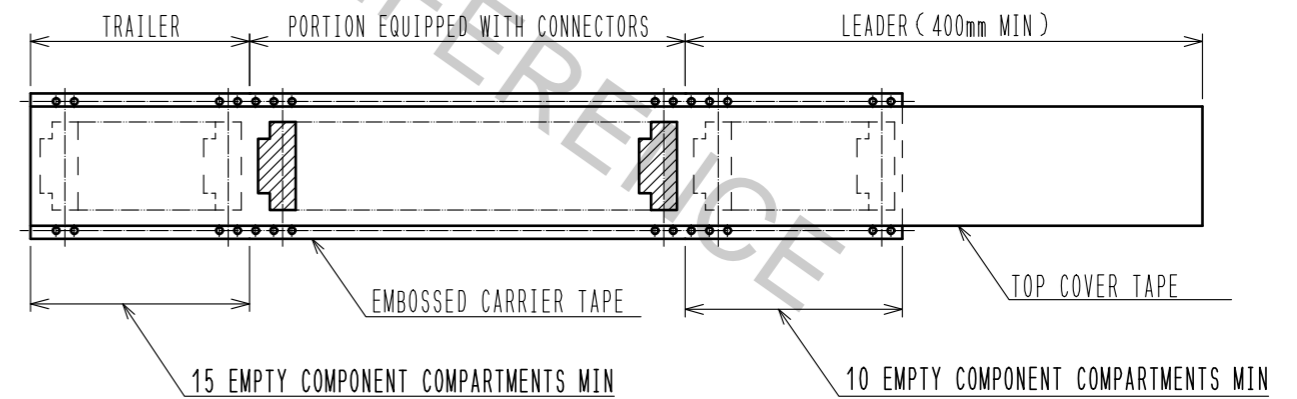
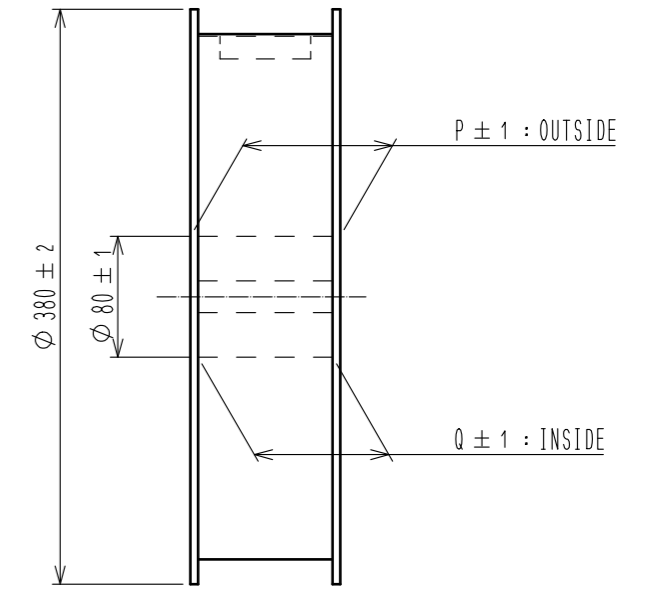
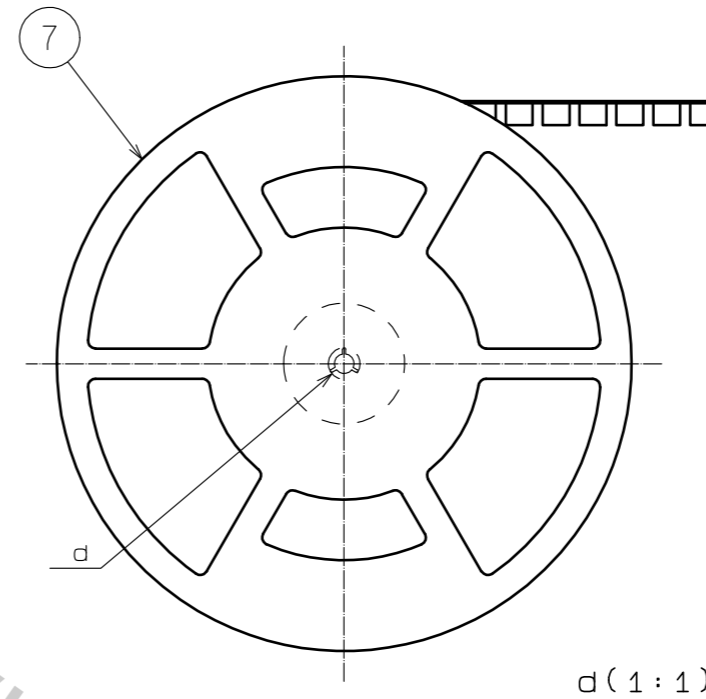
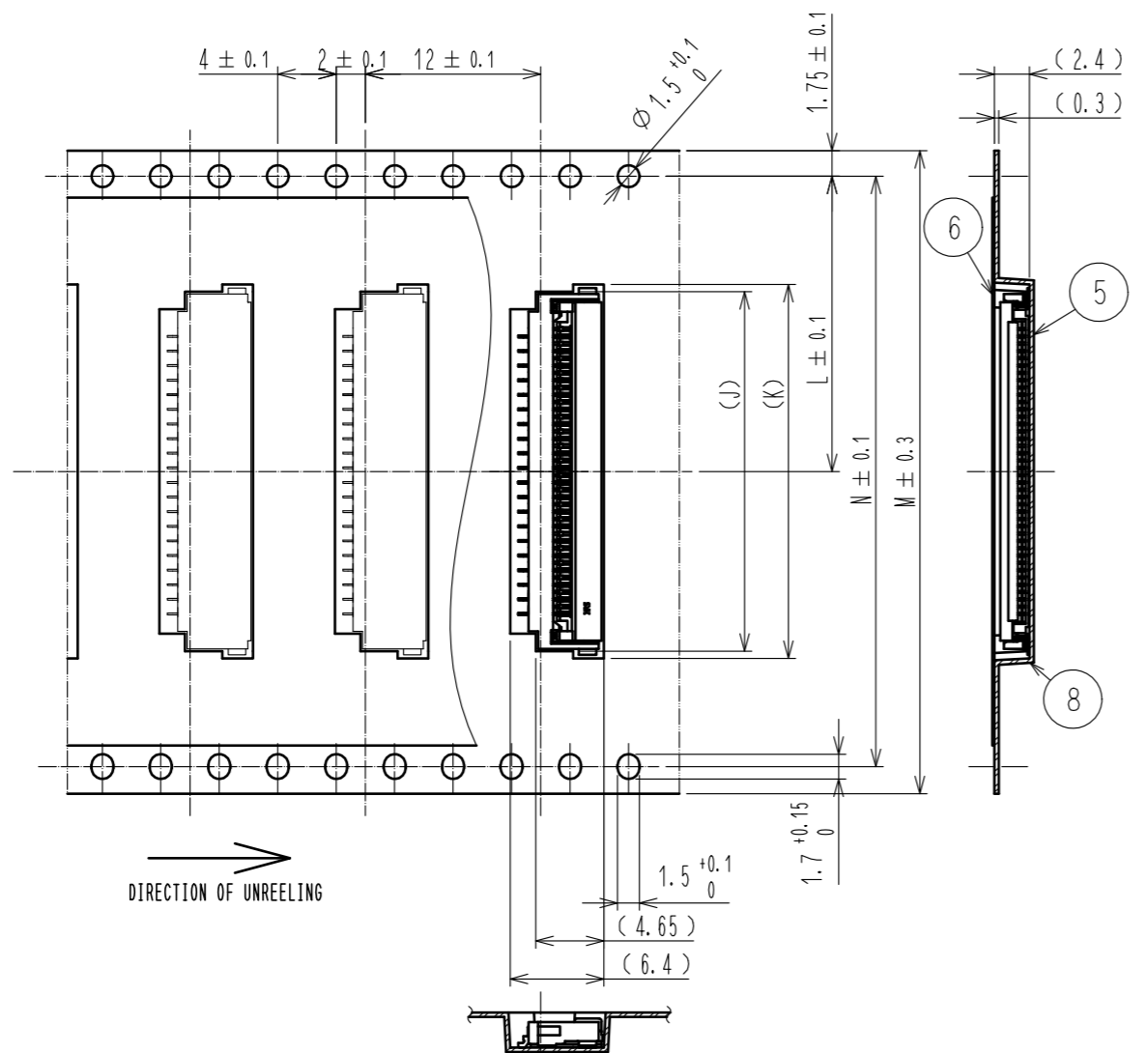
EMBOSSED CARRIER TAPE DIMENSION (2:1)

REEL DIMENSIONS (No Scale)

TAPE WIDTH : 24mm MAX



TAPE WIDTH : 32mm MIN



- NOTES
11. 1 reel : 3000 connectors.
 12. Refer to JIS C 0806. (Packaging of components for automatic handling.)

HRS	DRAWING NO.	EDC-359845-00-00
	PART NO.	FH52E-*(*)SB-1SH
	CODE NO.	CL580
		3/6

PART NO.	CODE NO.	NUMBER OF CONTACT	DIMENSION OF CONNECTOR, PCB MOUNTING PATTERN, STENCIL PATTERN AND FFC/FPC								DIMENSION OF DRAWING FOR PACKING						
			A	B	C	D	E	F	G	H	J	K	L	M	N	P	Q
FH52E-8(4)SB-1SH	————	4	8.3	3	4.57	6.55	9.1	6.1	6.1	4.5	8.6	9.6	11.5	24	—	29.4	25.4
FH52E-10(5)SB-1SH	————	5	9.3	4	5.57	7.55	10.1	7.1	7.1	5.5	9.6	10.6	11.5	24	—	29.4	25.4
FH52E-12(6)SB-1SH	————	6	10.3	5	6.57	8.55	11.1	8.1	8.1	6.5	10.6	11.6	11.5	24	—	29.4	25.4
FH52E-16(8)SB-1SH	————	8	12.3	7	8.57	10.55	13.1	10.1	10.1	8.5	12.6	13.6	11.5	24	—	29.4	25.4
FH52E-18(9)SB-1SH	CL580-3345-8-00	9	13.3	8	9.57	11.55	14.1	11.1	11.1	9.5	13.6	14.6	11.5	24	—	29.4	25.4
FH52E-20(10)SB-1SH	————	10	14.3	9	10.57	12.55	15.1	12.1	12.1	10.5	14.6	15.6	11.5	24	—	29.4	25.4
FH52E-22(11)SB-1SH	————	11	15.3	10	11.57	13.55	16.1	13.1	13.1	11.5	15.6	16.6	14.2	32	28.4	37.4	33.4
FH52E-24(12)SB-1SH	————	12	16.3	11	12.57	14.55	17.1	14.1	14.1	12.5	16.6	17.6	14.2	32	28.4	37.4	33.4
FH52E-26(13)SB-1SH	————	13	17.3	12	13.57	15.55	18.1	15.1	15.1	13.5	17.6	18.6	14.2	32	28.4	37.4	33.4
FH52E-28(14)SB-1SH	————	14	18.3	13	14.57	16.55	19.1	16.1	16.1	14.5	18.6	19.6	14.2	32	28.4	37.4	33.4
FH52E-30(15)SB-1SH	————	15	19.3	14	15.57	17.55	20.1	17.1	17.1	15.5	19.6	20.6	20.2	44	40.4	49.4	45.4
FH52E-32(16)SB-1SH	————	16	20.3	15	16.57	18.55	21.1	18.1	18.1	16.5	20.6	21.6	20.2	44	40.4	49.4	45.4
FH52E-40(20)SB-1SH	————	20	24.3	19	20.57	22.55	25.1	22.1	22.1	20.5	24.6	25.6	20.2	44	40.4	49.4	45.4
FH52E-50(25)SB-1SH	————	25	29.3	24	25.57	27.55	30.1	27.1	27.1	25.5	29.6	30.6	20.2	44	40.4	49.4	45.4
FH52E-60(30)SB-1SH	————	30	34.3	29	30.57	32.55	35.1	32.1	32.1	30.5	34.6	35.6	26.2	56	52.4	61.4	57.4

※CONTACT POSITIONS WITHOUT CODE NUMBERS ARE CURRENTLY UNDER PLANNING.
PLEASE CONTACT HIROSE FOR DETAILED INFORMATION ABOUT PRODUCT VARIATION.

HRS	DRAWING NO.	EDC-359845-00-00
	PART NO.	FH52E-*(*)SB-1SH
	CODE NO.	CL580
		4/6

This connector requires delicate and careful handling.
 Read through the instructions shown below and handle the connector properly.
 Each values indicating here are for reference and may differ from standard value.

[INSTRUCTIONS FOR MOUNTING ON THE BOARD]

◆ Warp of Board

Minimize warp of the board as much as possible.
 Lead co-planarity including reinforced metal fittings is 0.1 mm or less.
 Too much warp of the board may result in a soldering failure.

◆ Flexible board design

Please make sure to put a stiffener on the backside of the flexible board.
 We recommend a glass epoxy material with the thickness of 0.3mm MIN.

◆ Load to Connector

Do not add 1N or greater external force when unroll or pick and place the connector etc.
 or it may get broken.
 In addition, do not insert the FFC/FPC or operate the connector before mounting it.

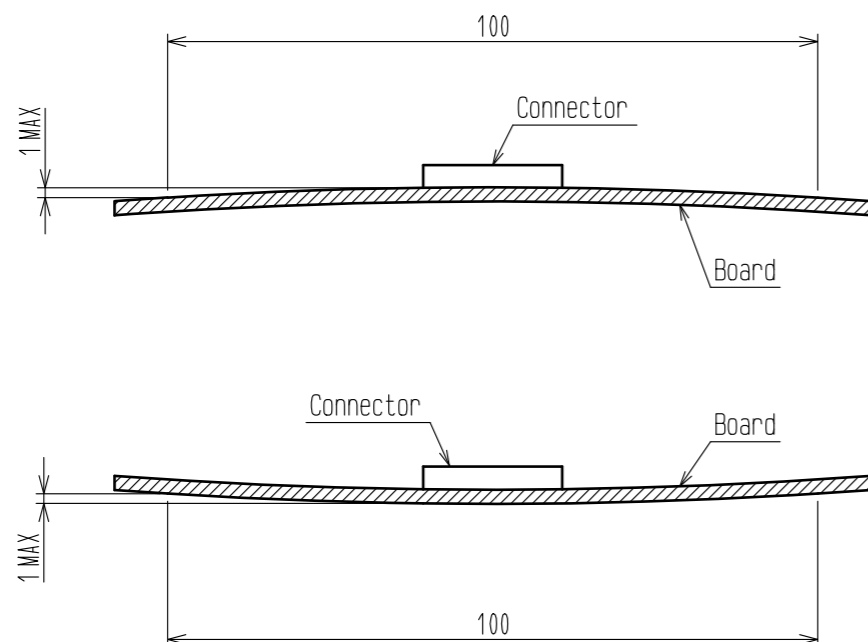
[INSTRUCTIONS FOR PCB HANDLING AFTER MOUNTING THE CONNECTOR]

◆ Load to Board

- Splitting a large board into several pieces
 - Screwing the board
- Avoid the handling described above so that no force is exerted on the board during the assembly process.
 Otherwise, the connector may become defective.

◆ Amount of Warp

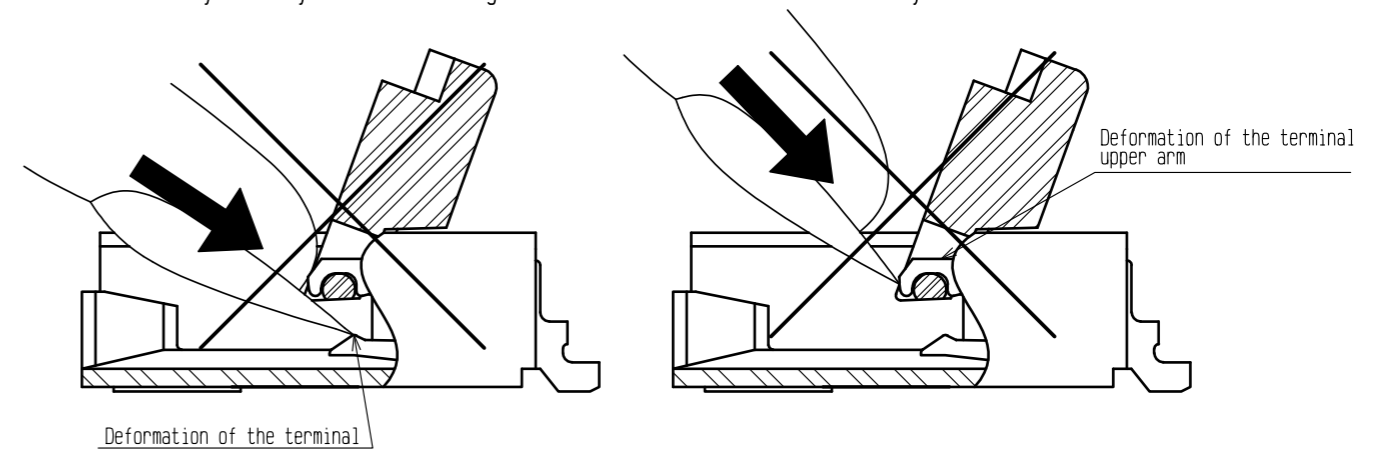
The warp of a 100mm wide board should be 1 mm or less.
 The warp of board suffers stress on connector and the connector may become defective.



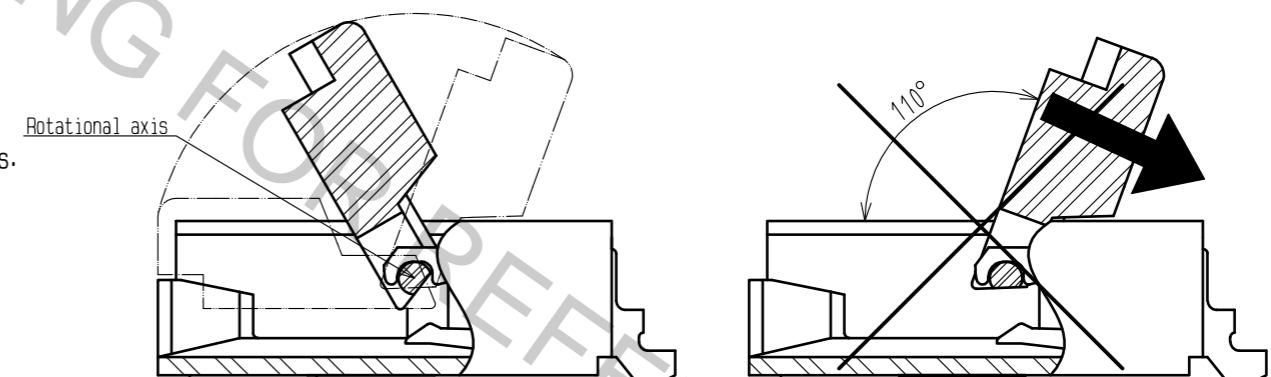
[INSTRUCTIONS ON INSERTING FFC/FPC AND CONNECTION]

◆ Use of the Actuator

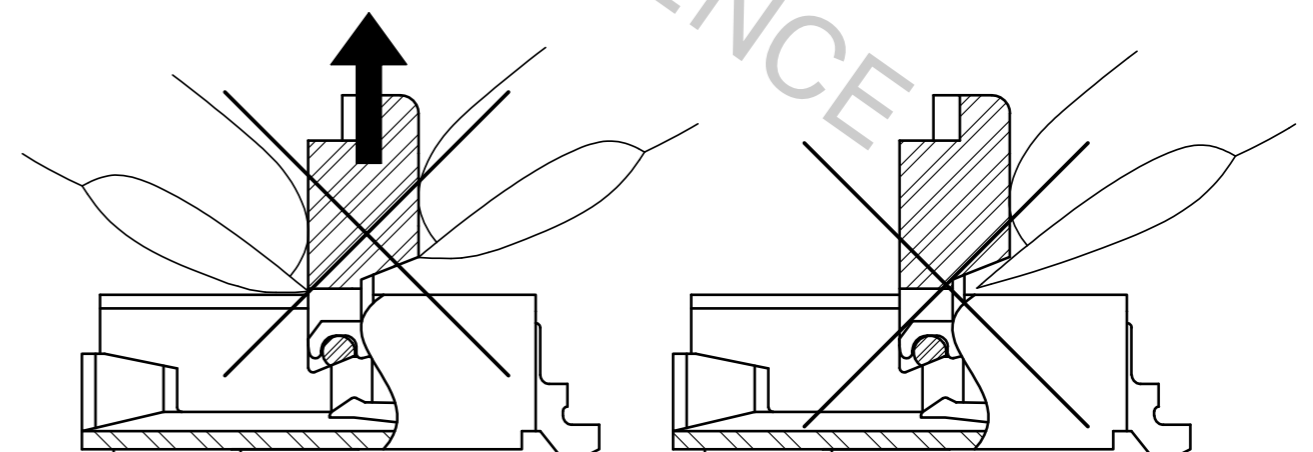
1. Be very careful not to apply excessive force when releasing the actuator in the initial position.
 If you use your nail or finger as shown below, the terminals may be deformed.



2. The actuator rotates around the rotational axis as shown below.
 Rotate the actuator.
3. The actuator will not open more than 110°.
 Do not apply any force backward beyond this point.
 Otherwise, the actuator may come off or break.



4. Move the actuator at approximately the center.
5. Do not pinch or pick the actuator to lift it as shown below. Otherwise, it may break.
 (Do not carry out any operation other than rotating the actuator as shown in 2 above.)

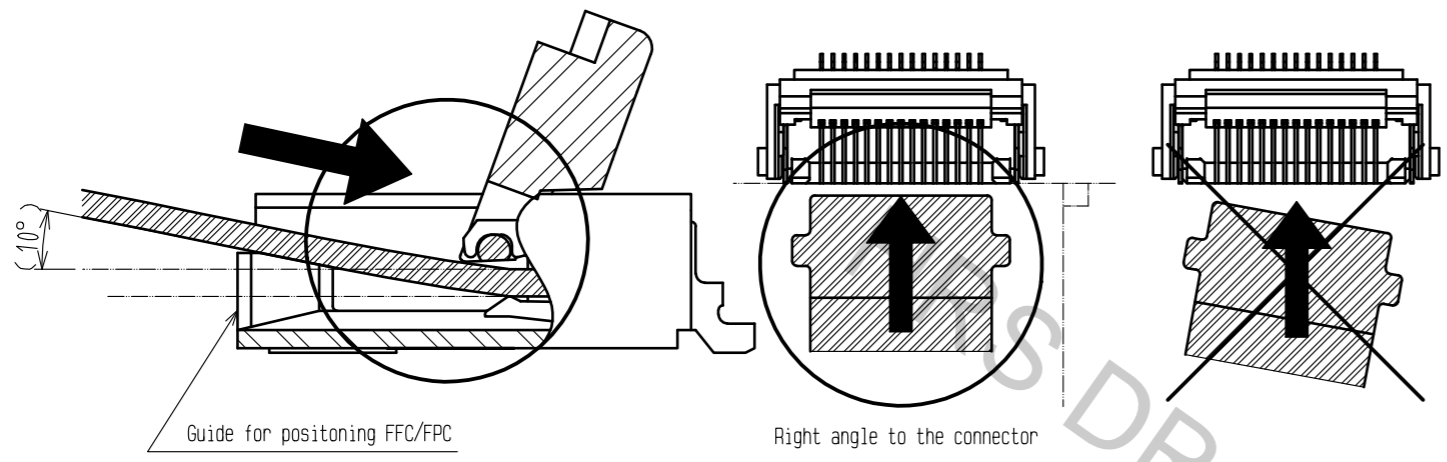


< INSTRUCTION MANUAL (1) >

HRS	DRAWING NO.	EDC-359845-00-00
	PART NO.	FH52E-*(*)SB-1SH
	CODE NO.	CL580
		5/6

◆ Direction of Contacts
This connector has contacts on the bottom. Thus, insert FFC/FPC with the exposed conductors face down.

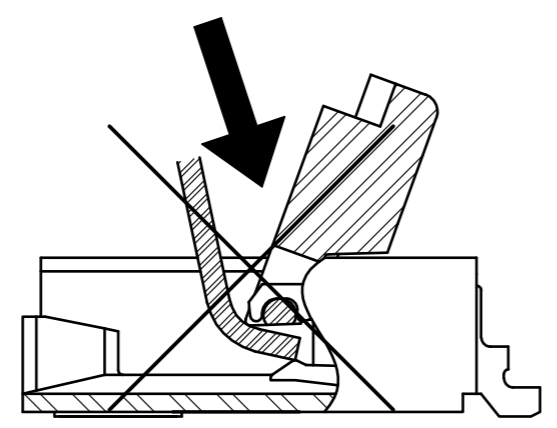
◆ Inserting the FFC/FPC
1. Insert the FFC/FPC by about 10 degrees along the surface and at a right angle to the connector.
Insert it properly to the very end.



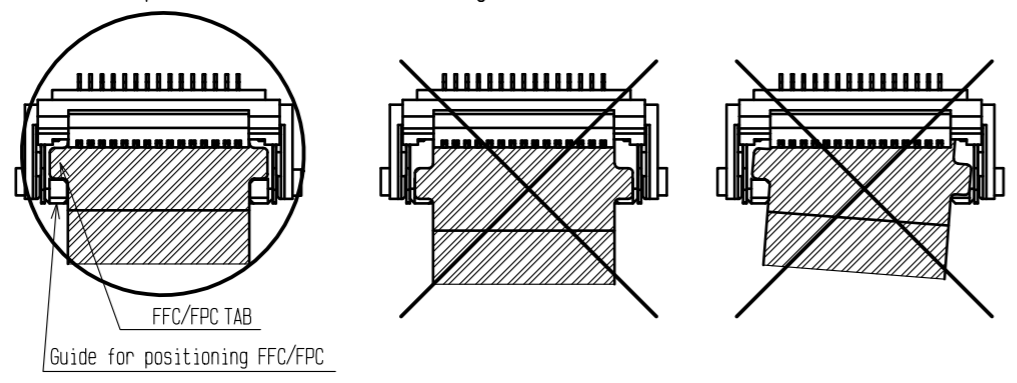
2. Do not insert the FFC/FPC diagonally from above.
If the FFC/FPC is inserted at a slant (incorrectly) as shown below in the FFC/FPC insertion process, the edge of the FFC/FPC may catch in the terminals, resulting in deformation of the terminals. The FFC/FPC may bend and patterns may break or the FFC/FPC may not insert completely, resulting in improper conduction.

※ Keep a sufficient FFC/FPC insertion space in the stage of the layout in order to avoid incorrect FFC/FPC insertion.
Besides, it is not difficult to insert FFC/FPC correctly all the way to the end.
Design the proper layout of parts.

※ Make adjustments with the FFC/FPC manufacturer for FFC/FPC bending performance and wire breakage.



3. Do not rotate the actuator when FFC/FPC TAB is on right and left guides for positioning FFC/FPC.
Make sure the position of FFC/FPC TAB and guides before rotate the actuator.

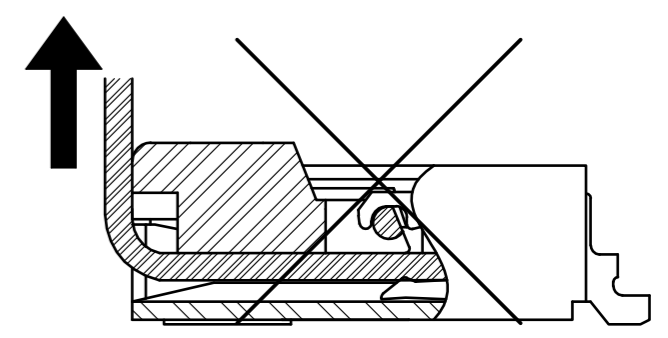


◆ Checking the Locking Condition
In the locked condition, make sure that the actuator is horizontal on the board surface.
Do not apply excessive force to it near the 0° position of the actuator.
Otherwise, the terminals may be deformed.

[INSTRUCTIONS ON FFC/FPC LAYOUT AFTER CONNECTION]

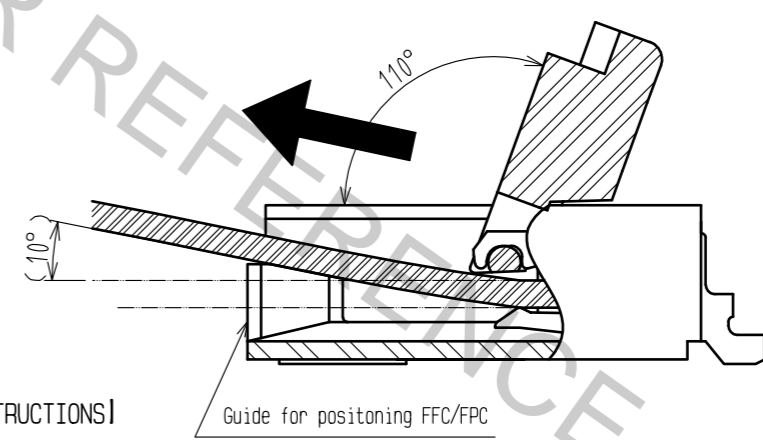
◆ Load to FFC/FPC
Be very careful not to apply any force to the connector directly after inserting FFC/FPC.
Otherwise, the connector may become unlocked or the FFC/FPC may break.
In particular, design the FFC/FPC layout with care not to bend it sharply upward in a vertical direction near the insertion opening.
Fix the FFC/FPC when loads are applied to it continuously.

Load: $0.10 \times n$ N MAX
(n: number of contacts)



[INSTRUCTIONS ON REMOVING FFC/FPC]

◆ Move the actuator at approximately the center.
◆ Release the actuator to remove the FFC/FPC.
Remove the FFC/FPC by about 10 degrees along the surface.



[OTHER INSTRUCTIONS]

◆ Instructions on Manual Soldering
Follow the instructions shown below when soldering the connector manually during repair work, etc.
1. Do not perform reflow soldering or manual soldering with the FFC inserted into the connector.
2. Do not heat the connector excessively. Be very careful not to let the soldering iron contact any parts other than connector leads. Otherwise, the connector may be deformed or melt.
3. Do not use excessive solder (or flux).
If excessive solder (or flux) is used on the terminals, solder or flux may adhere to the contacts or rotating parts of the actuator, resulting in poor contact or a rotation failure of the actuator. Supplying excessive solder to the reinforcing bracket may hinder actuator rotation, resulting in breakage of the connector.

< INSTRUCTION MANUAL(2) >

HRS	DRAWING NO.	EDC-359845-00-00
	PART NO.	FH52E-*(*)SB-1SH
	CODE NO.	CL580
		6/6