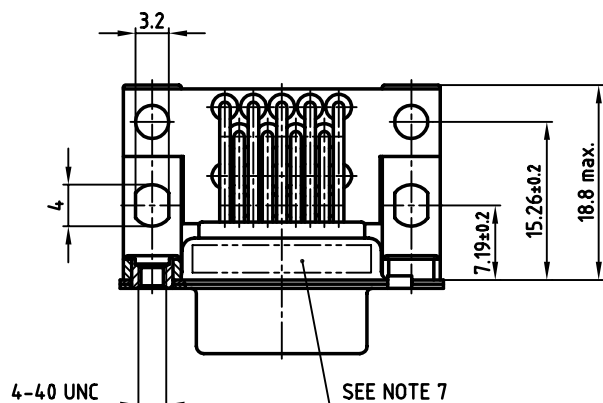
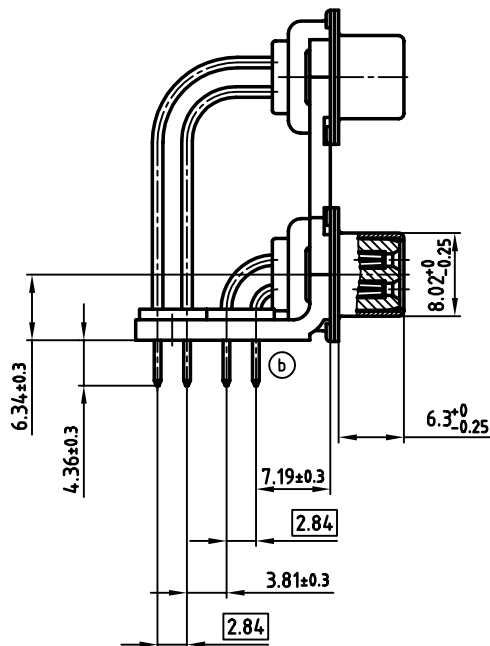
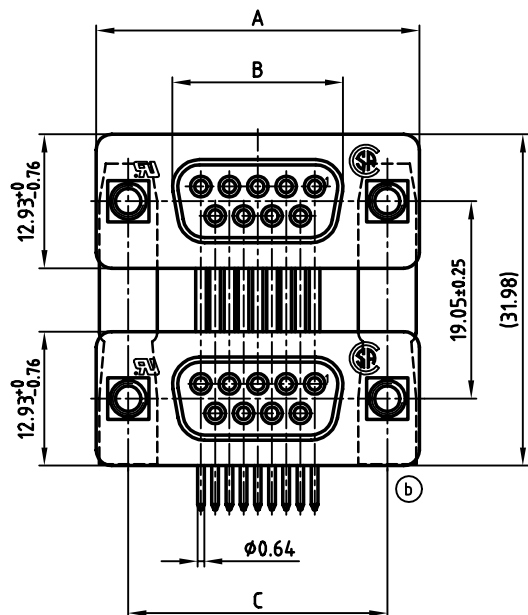


used for: D-SUB

POS.	A -0.76	B -0.25	C	D -0.3	PART-NO.
2x 9	31.19	16.46	25.00 ^{+0.12} / _{-0.13}	6.12	164A15929X
2x15	39.52	24.79	33.30 ^{+0.15} / _{-0.1}	6.12	164A15939X
2x25	53.42	38.50	47.04 ^{+0.13}	5.99	164A15949X
2x37	69.70	54.96	63.50 ^{+0.13}	5.99	164A15959X



NOTES:

- METALSHELLS: STEEL; min. 320µ" TIN
- INSULATORS: PBT GF UL 94 V-0, BLACK
- CONTACTS: COPPER ALLOY
PLATING: min. 8µ" HARD GOLD OVER min. 50µ" NICKEL
- METAL BRACKET: STEEL; min. 320µ" TIN over 80µ" NICKEL
- THREADED INSERT: COPPER ALLOY; min. 200µ" TIN over 80µ" NICKEL
- MAXIMUM TORQUE VALUE FOR THREAD: 6" LBS
- CONNECTOR IS PART MARKED: PART-NO. CONEC Y/MM
- = CRITICAL DIMENSION

Directive 2002/95/EC
"RoHS"
Compliant

APPROVAL * FREIGABE * DEBLOCAGE * AUTORIZACION * APPROVAL	
CUSTOMER APPROVAL DATE:	
NAME:	TITLE:
COMPANY NAME:	
APPROVAL * FREIGABE * DEBLOCAGE * AUTORIZACION * APPROVAL	

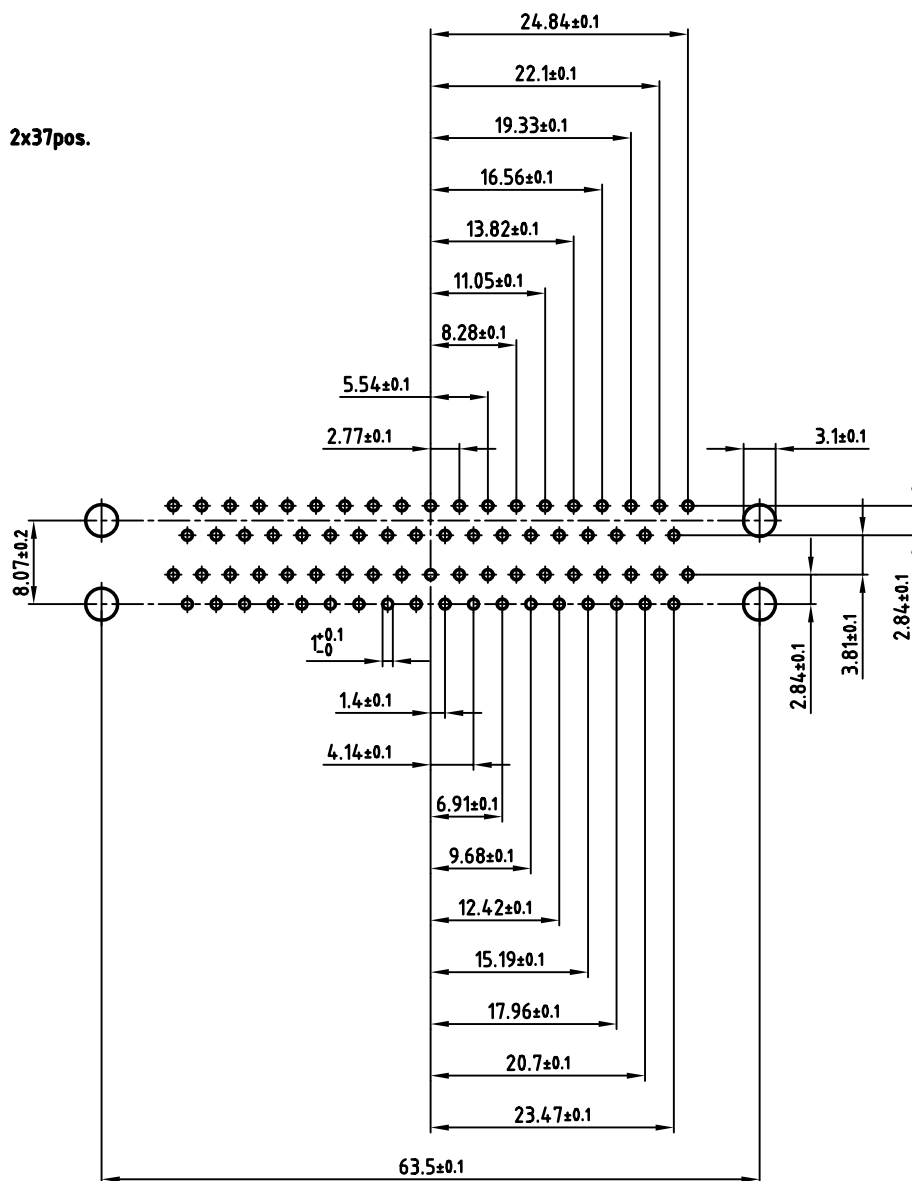
THIS DRAWING MAY NOT BE COPIED OR REPRODUCED IN ANY WAY, AND MAY NOT BE PASSED ON TO A THIRD PARTY, WITHOUT WRITTEN PERMISSION. OWNERSHIP AND COPYRIGHT OF CONEC Gmbh DO NOT ALTER CAD DRAWING BY HAND

2 x b	Ä 1487	10.04.2002	Parei
rev.	description	date	name

tolerance		scale:	2:1
		material:	SEE NOTES
		title:	DUAL PORT 19.05mm 2x9 - 2x37pos. FEMALE / FEMALE with threaded insert
		dwg no:	AutoCAD 2000
			DIN-A
			3
			sh:1/3
		part no:	16K1A512
			SEE TABLE

used for: D-SUB

2x37pos.



APPROVAL # FREIGABE # DEBLOCAGE # AUTORIZACION # APPROVAL	
CUSTOMER APPROVAL DATE:	
NAME:	TITLE:
COMPANY NAME:	
APPROVAL # FREIGABE # DEBLOCAGE # AUTORIZACION # APPROVAL	

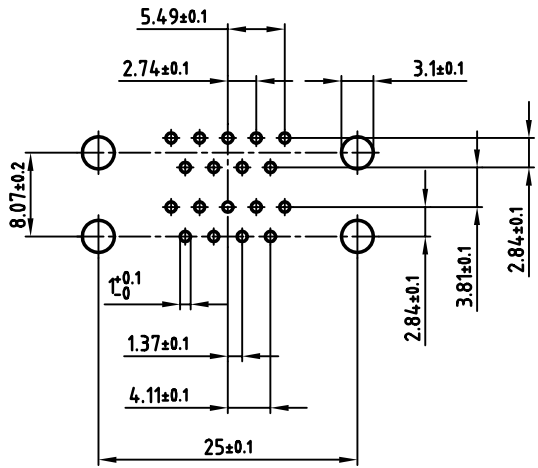
THIS DRAWING MAY NOT BE COPIED OR REPRODUCED IN ANY WAY, AND MAY NOT BE PASSED ON TO A THIRD PARTY, WITHOUT WRITTEN PERMISSION. OWNERSHIP AND COPYRIGHT OF CONEC GmbH DO NOT ALTER CAD DRAWING BY HAND

rev.	description	date	name

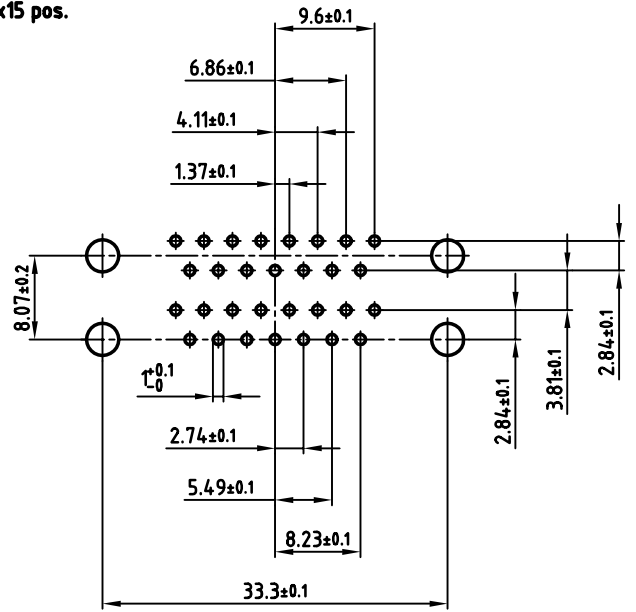
tolerance	
2002	date
drawn	18.10.
name	Parei
appd.	18.10.
name	Mickenbecker
norm	DIN 41652
d-old	

scale:	2:1	
material:	SEE SHEET 1	
title:	P.C.B. HOLE DRILLINGS	
	DUAL PORT 19.05mm 2x9 - 2x37pos. FEMALE	
	with threaded insert	
dwg no:	AutoCAD 2000	DIN-A
	16K1A512	3
		sh:3/3
part no:	SEE SHEET 1	

2x9 pos.

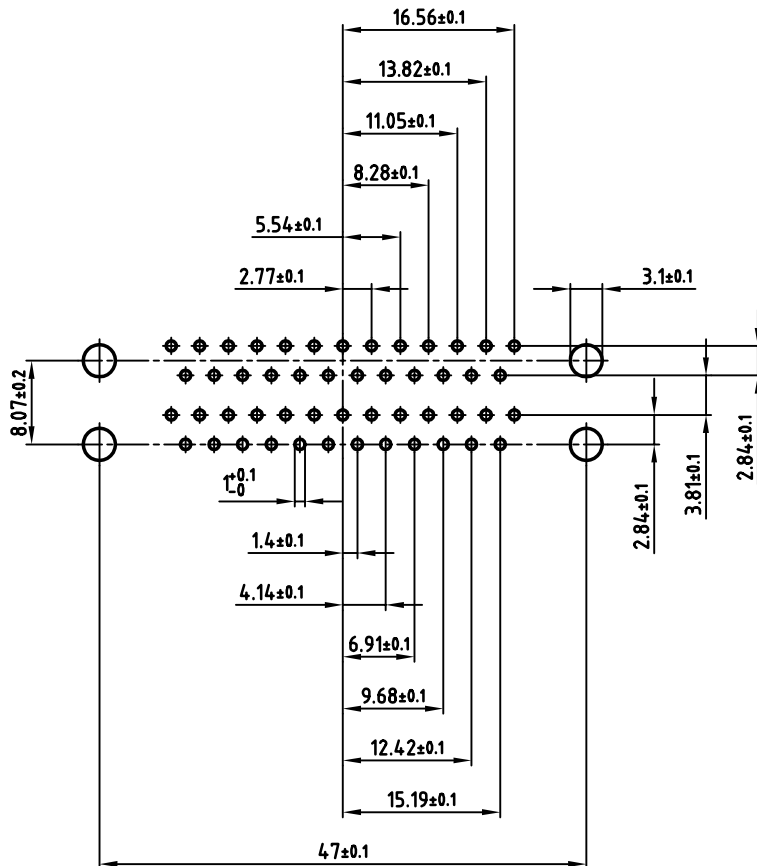


2x15 pos.



used for: D-SUB

2x25 pos.



APPROVAL # FREIGABE # DEBLOCAGE # AUTOR/ZACON # APPROVAL

CUSTOMER APPROVAL DATE:

NAME: TITLE:

COMPANY NAME:

APPROVAL # FREIGABE # DEBLOCAGE # AUTOR/ZACON # APPROVAL

THIS DRAWING MAY NOT BE COPIED OR REPRODUCED IN ANY WAY, AND MAY NOT BE PASSED ON TO A THIRD PARTY, WITHOUT WRITTEN PERMISSION. OWNERSHIP AND COPYRIGHT OF CONEC Gmbh DO NOT ALTER CAD DRAWING BY HAND

rev.	description	date	name

tolerance		
2002	date	
drawn	18.10.	name
appd.	18.10.	Mickenbecker
norm	DIN 41652	
d-old		

scale: 2:1

material: SEE SHEET 1

title: P.C.B. HOLE DRILLINGS
DUAL PORT 19.05mm 2x9 - 2x37pos. FEMALE
with threaded insert

dwg no: AutoCAD 2000 DIN-A
16K1A512 3 sh:2/3

part no: SEE SHEET 1