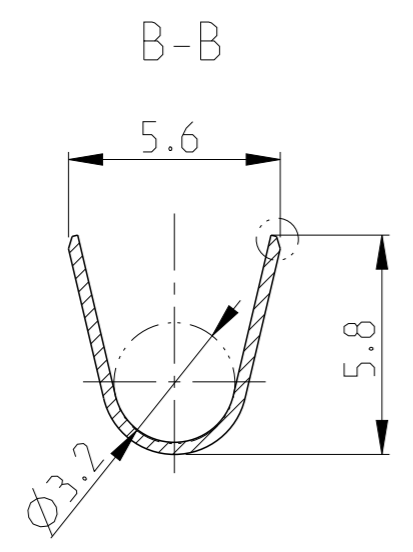
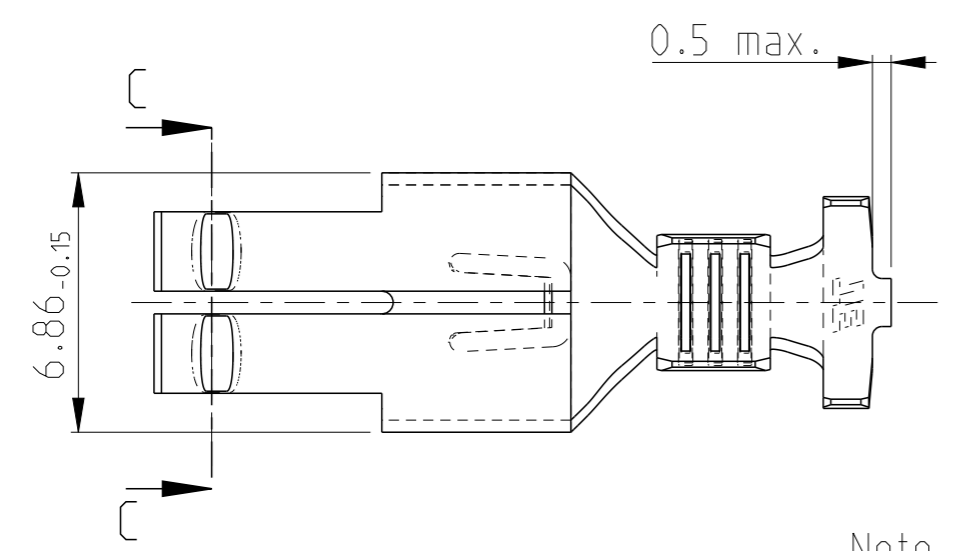
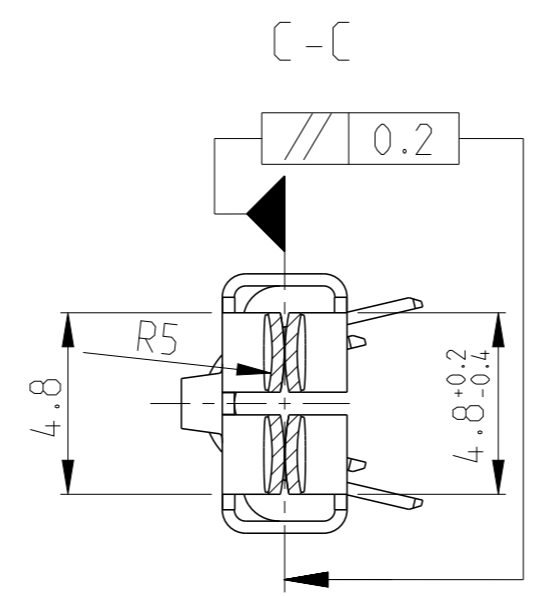
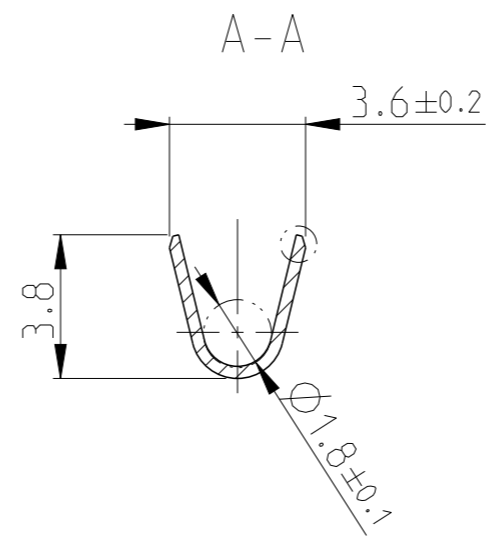
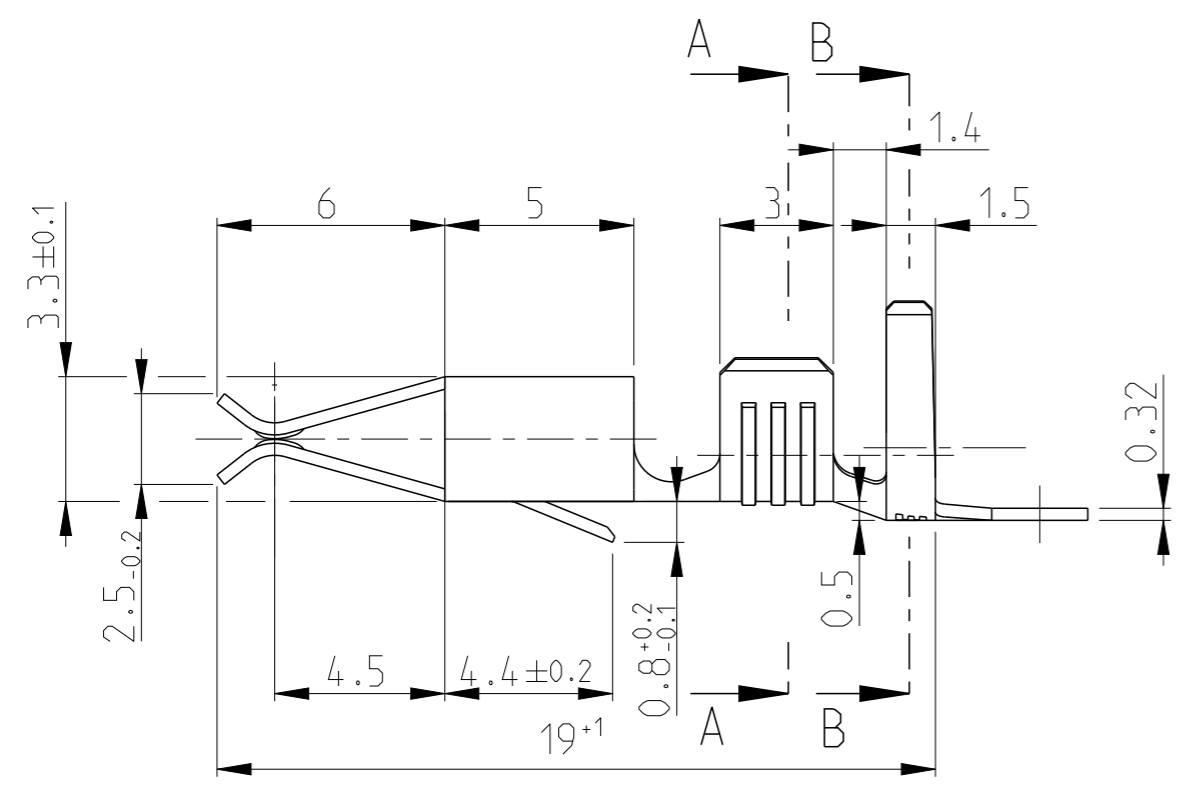


THIS DRAWING IS UNPUBLISHED. RELEASED FOR PUBLICATION 20  
 © COPYRIGHT 20 BY - ALL RIGHTS RESERVED.

REVISIONS


P	LTR	DESCRIPTION	DATE	DWN	APVD
	C1	ECR-14-007191	09JUL2014	SK	JS



Note  
 △ OBSOLETE

Leitungsgerschnitt in mm <sup>2</sup>		Cross-section in mm <sup>2</sup>									
Single connection	Einzelanschl.	0.5	0.75	1.0	1.5	2.0	2.5	3.0	4.0	6.0	
0.5	-	-	X	X	X	-	-	-	-	-	
0.75	-	-	X	X	X	-	-	-	-	-	
1.0	-	-	X	X	X	-	-	-	-	-	
1.5	X	-	X	X	-	-	-	-	-	-	
2	-	-	-	-	-	-	-	-	-	-	
2.5	X	-	-	-	-	-	-	-	-	-	
3.0	-	-	-	-	-	-	-	-	-	-	
4.0	-	-	-	-	-	-	-	-	-	-	
6.0	-	-	-	-	-	-	-	-	-	-	

	PLAIN / blank	Brass	927879-4	A	
△ 1	927880-3	vorverzinkt	CuFe2	927879-3	C
△ 1	927880-2	vorverzinkt	CuSn4	927879-2	C
	927880-1	vorverzinkt	CuZn30	927879-1	C
LOOSE PIECE	FINISH	MATERIAL	PART NO.	REV.	

THIS DRAWING IS A CONTROLLED DOCUMENT.		DWN Hassel,S. 07AUG2003	 TE Connectivity			
DIMENSIONS: mm		CHK Brunner,M. 07AUG2003				
TOLERANCES UNLESS OTHERWISE SPECIFIED:		APVD Bleicher,M. 15AUG2003				
0 PLC ± 1 PLC ±0.5 2 PLC ± 3 PLC ± 4 PLC ±0.0001 ANGLES ±1		PRODUCT SPEC 108-18054				
MATERIAL TBD		FINISH -	NAME STANDARD TIMER CONTACT Standard-Timer Kontakt			
		WEIGHT -	SIZE A3	CAGE CODE -	DRAWING NO. C-927879	RESTRICTED TO -
		Customer Drawing	SCALE 5:1	SHEET 1 OF 1	REV C1	