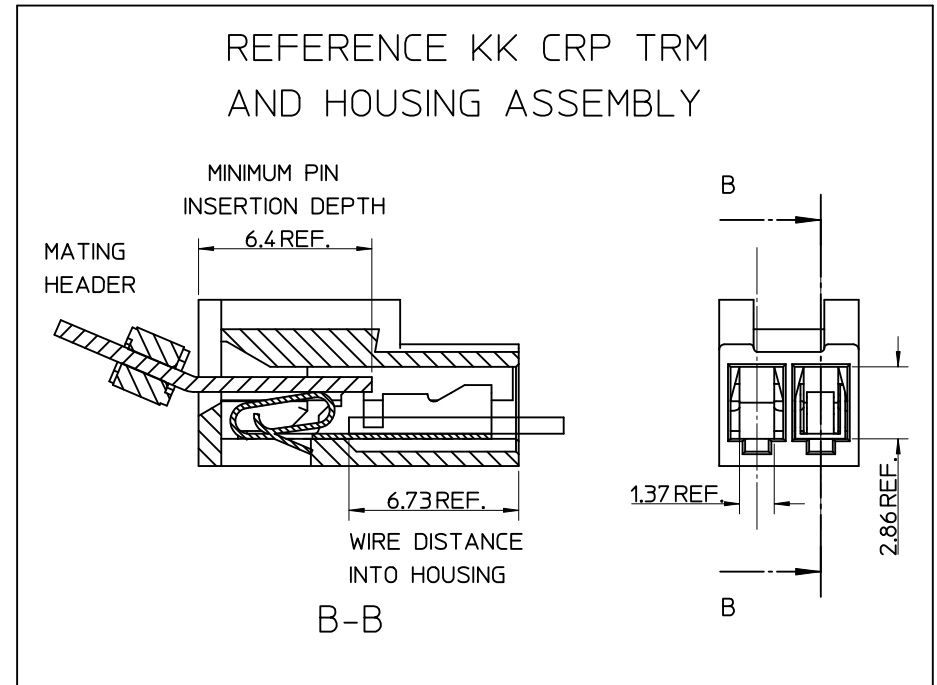


NOTES:

1. MATERIAL: POLYAMIDE (PA66/6), UL94 V-0
COLOUR: NATURAL
2. FINISH: N/A
3. FOR PRODUCT SPECIFICATION SEE PS-91560-003
4. PACKAGING: SEE PACKAGING SPECIFICATION PK-91560-005.
5. FOR USE WITH ANTI-FISH HOOKING TERMINAL 8088-(555)L (08-65-0106).
6. THIS PART CONFORMS TO CLASS B REQUIREMENTS OF COSMETIC SPECIFICATION PS-45499-002.



CIRCUIT 1 I.D.

REV	DESCRIPTION
1	REVISE NOTES

EC NO: UCP2010-1407
 DRWN:MKIPPER 2009/12/14
 CHKD:JBELL
 APPR: 2009/12/17

QUALITY SYMBOLS	DESCRIPTION
▽ - 0	
∇ - 0	

GENERAL TOLERANCES (UNLESS SPECIFIED)	
mm	INCH
4 PLACES ± ---	± ---
3 PLACES ± ---	± ---
2 PLACES ± 0.15	± ---
1 PLACE ± 0.25	± ---
ANGULAR ± 2 °	
DRAFT WHERE APPLICABLE	
MUST REMAIN WITHIN DIMENSIONS	

SCALE	DESIGN UNITS
5:1	METRIC
DIMENSION STYLE	
MM ONLY	
DRAWN BY	DATE
LKIERNAN	2001/12/03
CHECKED BY	DATE
BMAGUIRE	2001/10/03
APPROVED BY	DATE
MWILHITE	2001/10/03

THIRD ANGLE PROJECTION		REVISE ON CAD ONLY	
TITLE			
2.54MM KK CRP TRM HSG 2CKT			
MOLEX INCORPORATED			
MATERIAL NO.	DOCUMENT NO.	SHEET NO.	
915600002	SD-91560-001	1 OF 1	
THIS DRAWING CONTAINS INFORMATION THAT IS PROPRIETARY TO MOLEX INCORPORATED AND SHOULD NOT BE USED WITHOUT WRITTEN PERMISSION			