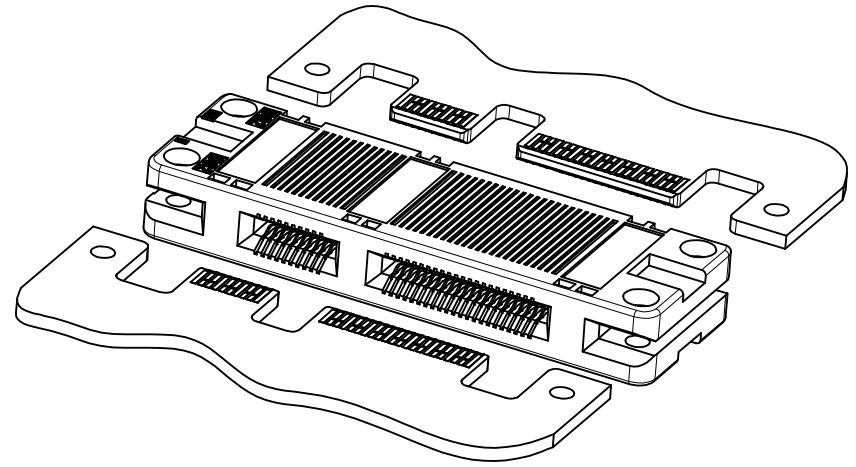
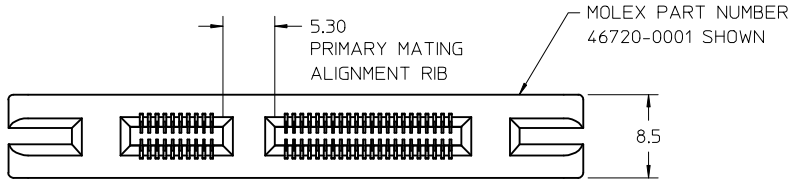
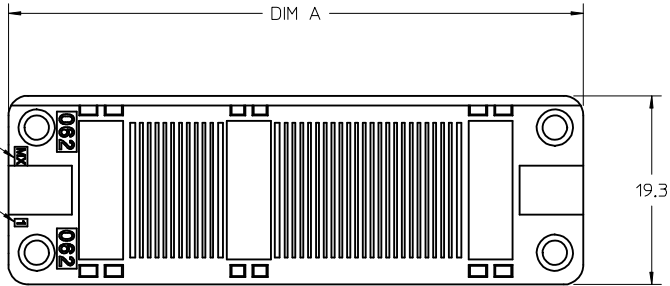
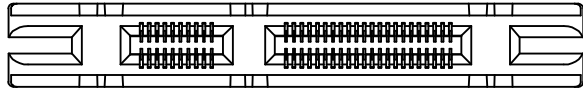
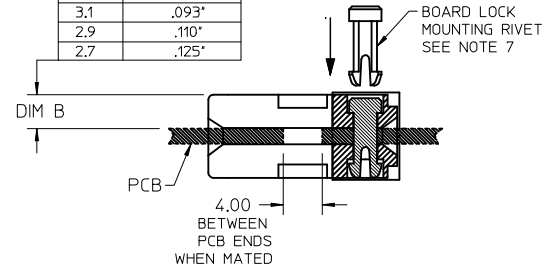


10 9 8 7 6 5 4 3 2 1



DIM B	PCB THK (in)
3.5	.062"
3.1	.093"
2.9	.110"
2.7	.125"



NOTES:

- MATERIAL:
HOUSING: LCP, UL94V-0, BLACK
TERMINAL: BRASS
- FINISH: SELECT GOLD: 0.76µm MIN, OVERALL NICKEL: 3.80 µm MIN
- ALL DIMENSIONS ARE FOR REFERENCE ONLY UNLESS OTHERWISE SPECIFIED.
- PRODUCT SPECIFICATION: PS-46720-001
- PACKAGING SPECIFICATION: PK-46720-001
- SPLIT PAD LAYOUT SHOWN FOR REFERENCE ONLY. CUSTOMER CAN DESIGNATE GROUND AND SIGNAL PAD LAYOUT BASED ON INTERNAL REQUIREMENTS. CUSTOMER SHOULD SEE MOLEX DOCUMENT # AS-46720-002 FOR RECOMMENDATIONS.
- OPTIONAL BOARD LOCK MOUNTING RIVET AVAILABLE. MOLEX PART NUMBER 46720-7710. MOLEX RIVET REMOVAL TOOL NUMBER 638123502. SEE SD-46720-7710 FOR RIVET SALES DRAWING.

PCB FOOTPRINT UPDATED
EC NO: SZ2015-1374
DRAWN: WHL LONG 2015/05/25
CHKD: LGTAN 2015/06/03
APPR: SHLENI 2015/06/03

REV	DESCRIPTION	QUALITY SYMBOLS
F		▽=0
		▽=0
		▽=0
		▽=1

GENERAL TOLERANCES (UNLESS SPECIFIED)	
mm	INCH
4 PLACES ± .005	± .0004
3 PLACES ± .005	± .0004
2 PLACES ± .005	± .0004
1 PLACE ± .005	± .0004
ANGULAR ± 1/2°	

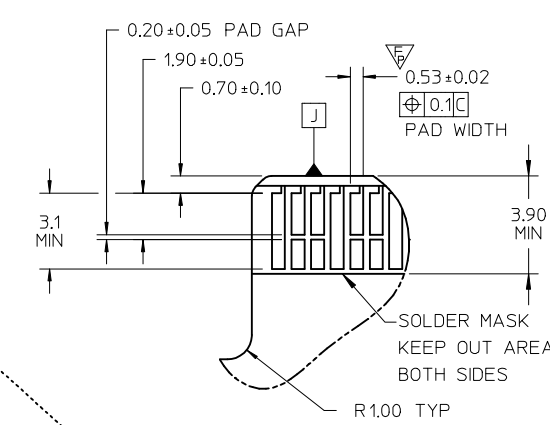
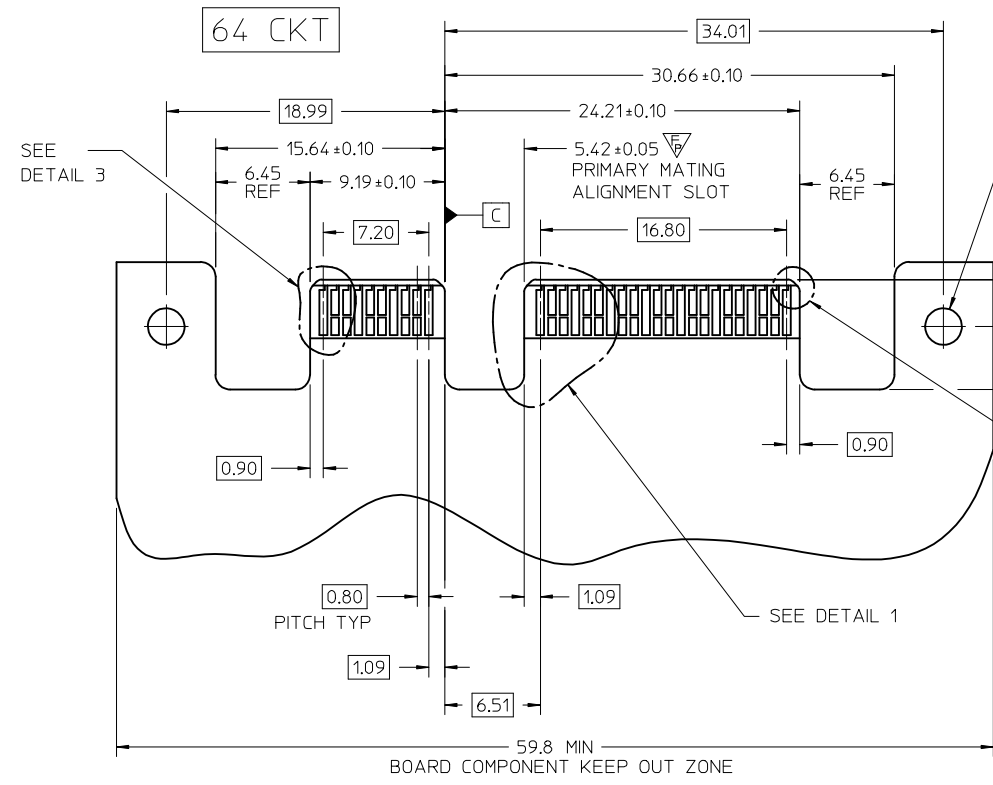
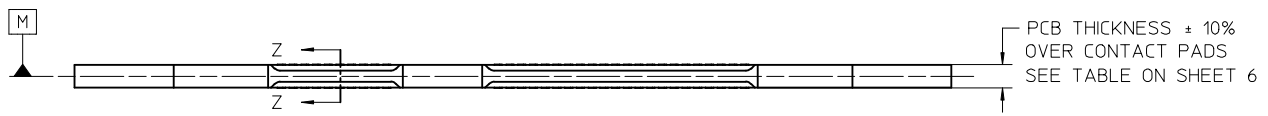
DRAFT WHERE APPLICABLE MUST REMAIN WITHIN DIMENSIONS

DIMENSION STYLE	
MM ONLY	
DRAWN BY	DATE
TGREGORI	2010/03/24
CHECKED BY	DATE
JCOMERCI	2010/04/12
APPROVED BY	DATE
JCOMERCI	2010/04/12
MATERIAL NO.	
SEE SHEET 7	
SIZE	B

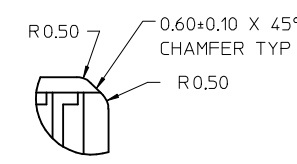
SCALE	DESIGN UNITS	THIRD ANGLE PROJECTION
2:1	METRIC	THIRD ANGLE PROJECTION
TITLE		
ASSEMBLY EDGE LINE COEDGE CONNECTOR, 100 OHM		
molex MOLEX INCORPORATED		
DOCUMENT NO.	SD-46720-0000	SHEET NO.
		1 OF 7

9 8 7 6 5 4 3 2 1

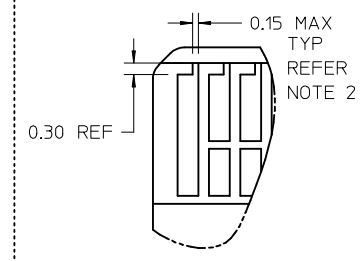
10 9 8 7 6 5 4 3 2 1



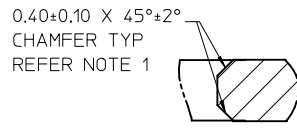
DETAIL 1
SEE NOTE 6
SCALE 5:1



DETAIL 2
SCALE 8:1



DETAIL 3
RECOMMENDED TIE BAR
LOCATION AND SIZE
SCALE 8:1



SECTION Z-Z
SCALE 8:1

MATING EDGE CARD NOTES:
1.EDGE CARD CHAMFER NOT TO GO THROUGH GOLD PADS.
2.MOLEX RECOMMENDS NO TIE BARS ON THE LEADING EDGE OF THE GOLD PADS. IF TIE BARS ARE USED, THEY SHALL PLACED TO ONE SIDE OF THE GOLD PAD. IT APPLIES TO ALL GOLD PADS (AS SHOWN IN DETAIL 3)

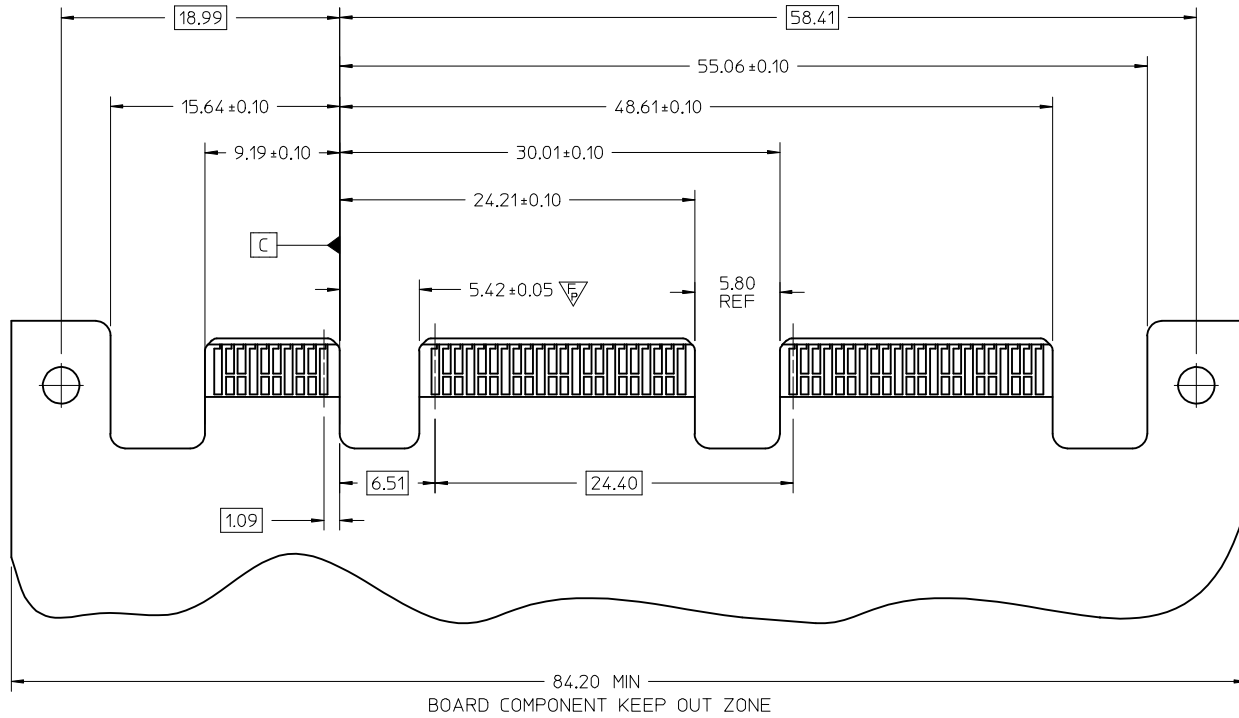
SEE SHEET 1 EC NO: S2015-1374 DRAWN: WHL LONG CHKD: CGTAN APPR: SHLENI 2015/05/25 2015/06/03 2015/06/03	QUALITY SYMBOLS ▽=0 ▽=0 ▽=2 ▽=0	GENERAL TOLERANCES (UNLESS SPECIFIED)		DIMENSION STYLE		SCALE	DESIGN UNITS	THIRD ANGLE PROJECTION			
				MM ONLY		3:1	METRIC				
				mm	INCH	DRAWN BY	DATE	TITLE			
				4 PLACES	± --- ± ---	TGREGORI	2010/03/24	ASSEMBLY EDGE LINE COEDGE CONNECTOR, 100 OHM			
		3 PLACES	± --- ± ---	CHECKED BY	DATE	MOLEX INCORPORATED					
		2 PLACES	± --- ± ---	APPROVED BY	DATE	DOCUMENT NO.					
		1 PLACE	± --- ± ---	JCOMERC I	2010/04/12	SD-46720-0000					
		ANGULAR ±1/2°		MATERIAL NO.		SHEET NO.					
		DRAFT WHERE APPLICABLE MUST REMAIN WITHIN DIMENSIONS		SEE SHEET 7		2 OF 7					
				SIZE B		THIS DRAWING CONTAINS INFORMATION THAT IS PROPRIETARY TO MOLEX INCORPORATED AND SHOULD NOT BE USED WITHOUT WRITTEN PERMISSION					

9 8 7 6 5 4 3 2 1

10 9 8 7 6 5 4 3 2 1

108 CKT

ALL OTHER DIMENSIONS ARE THE SAME AS 64 CKT (SHEET 2) UNLESS OTHERWISE SPECIFIED



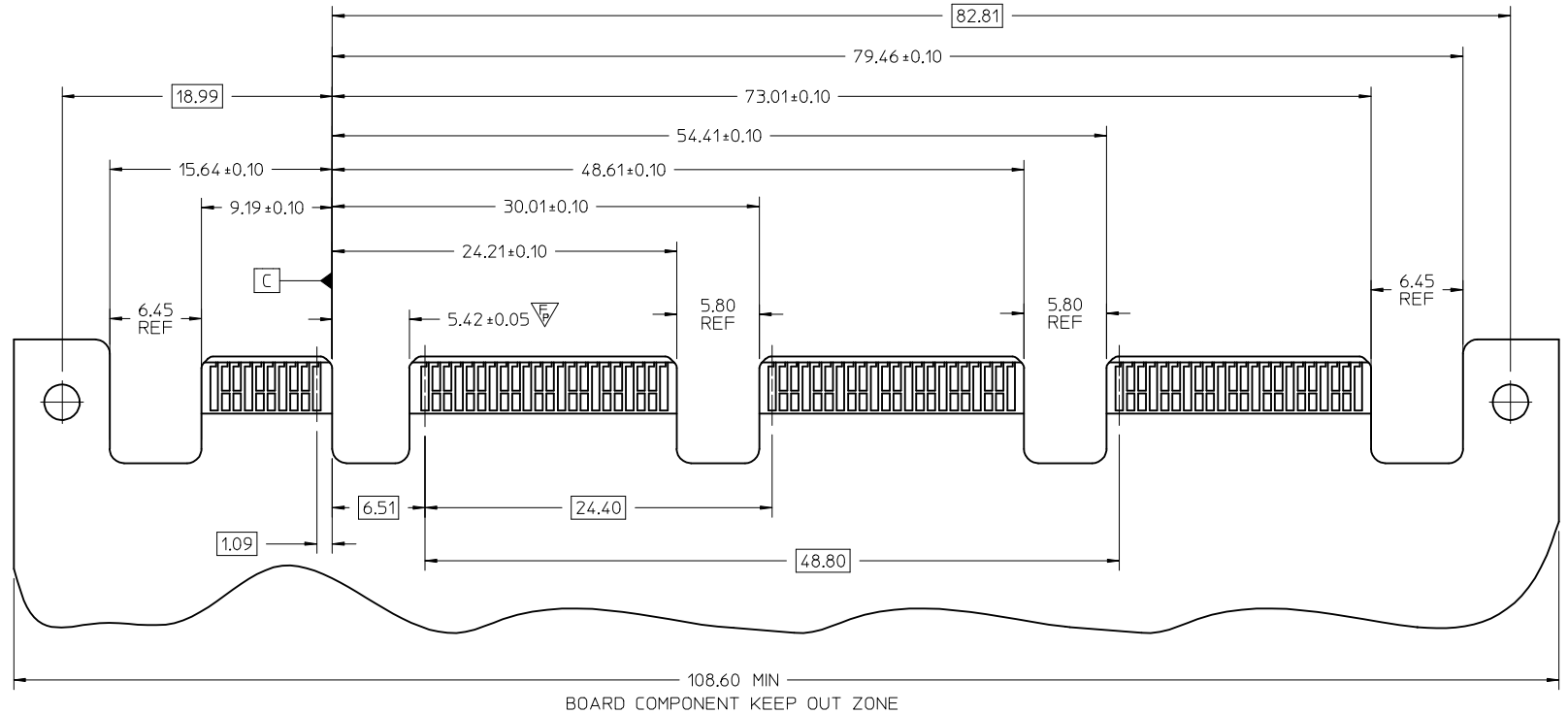
SEE SHEET 1 EC NO: S2015-1374 DRAWN: WHL LONG 2015/05/25 CHKD: CGTAN 2015/06/03 APPR: SILENI 2015/06/03	QUALITY SYMBOLS ▽=0 ▽=0 ▽=1 ▴=0	GENERAL TOLERANCES (UNLESS SPECIFIED) <table border="1"> <thead> <tr> <th></th> <th>mm</th> <th>INCH</th> </tr> </thead> <tbody> <tr> <td>4 PLACES</td> <td>±---</td> <td>±---</td> </tr> <tr> <td>3 PLACES</td> <td>±---</td> <td>±---</td> </tr> <tr> <td>2 PLACES</td> <td>±---</td> <td>±---</td> </tr> <tr> <td>1 PLACE</td> <td>±---</td> <td>±---</td> </tr> </tbody> </table>		mm	INCH	4 PLACES	±---	±---	3 PLACES	±---	±---	2 PLACES	±---	±---	1 PLACE	±---	±---	DIMENSION STYLE MM ONLY DRAWN BY: TGREGORI DATE: 2010/03/24 CHECKED BY: _____ DATE: _____	SCALE 3:1 TITLE ASSEMBLY EDGELINE COEDGE CONNECTOR, 100 OHM	DESIGN UNITS METRIC THIRD ANGLE PROJECTION
		mm	INCH																	
	4 PLACES	±---	±---																	
	3 PLACES	±---	±---																	
2 PLACES	±---	±---																		
1 PLACE	±---	±---																		
APPROVED BY: JCOMERCI DATE: 2010/04/12 MATERIAL NO.	MOLEX INCORPORATED DOCUMENT NO. SD-46720-0000	SHEET NO. 3 OF 7																		
DRAFT WHERE APPLICABLE MUST REMAIN WITHIN DIMENSIONS	SEE SHEET 7	THIS DRAWING CONTAINS INFORMATION THAT IS PROPRIETARY TO MOLEX INCORPORATED AND SHOULD NOT BE USED WITHOUT WRITTEN PERMISSION																		
REV.	DESCRIPTION	SIZE B																		

9 8 7 6 5 4 3 2 1

10 9 8 7 6 5 4 3 2 1

152 CKT

ALL OTHER DIMENSIONS ARE THE SAME AS 64 CKT (SHEET 2) UNLESS OTHERWISE SPECIFIED



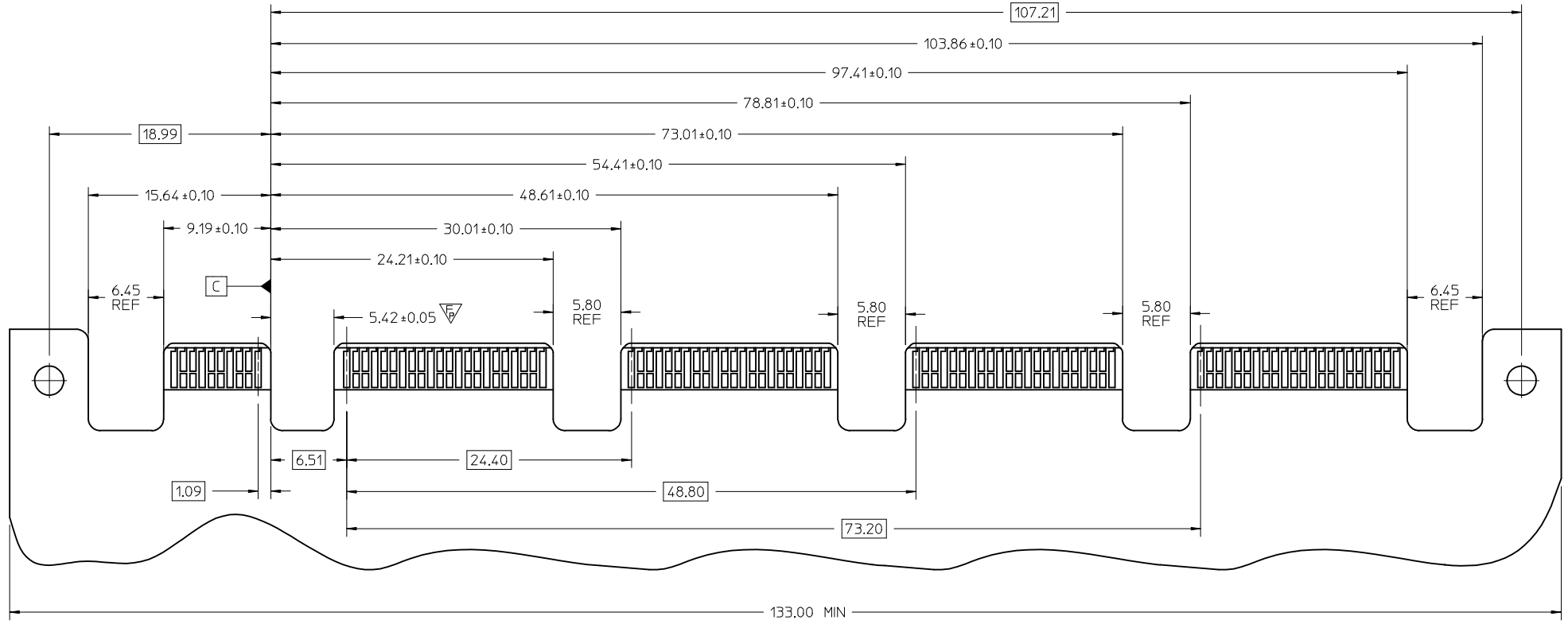
SEE SHEET 1 EC NO: S2015-1374 DRAWN: WHL LONG 2015/05/25 CHKD: CGTIAN 2015/06/03 APPR: SHLENI 2015/06/03	QUALITY SYMBOLS	GENERAL TOLERANCES (UNLESS SPECIFIED)	DIMENSION STYLE	SCALE	DESIGN UNITS	THIRD ANGLE PROJECTION
	▽=0	mm INCH	MM ONLY	3:1	METRIC	⊙
	▽=0	4 PLACES ± --- ± ---	DRAWN BY DATE	TITLE		
	▽=1	3 PLACES ± --- ± ---	TGREGORI 2010/03/24	ASSEMBLY		
▽=0	2 PLACES ± --- ± ---	CHECKED BY DATE	EDGELINE COEDGE			
▽=0	1 PLACE ± --- ± ---	APPROVED BY DATE	CONNECTOR, 100 OHM			
▽=0	ANGULAR ± 1/2°	JCOMERCI 2010/04/12	MOLEX INCORPORATED			
	DRAFT WHERE APPLICABLE MUST REMAIN WITHIN DIMENSIONS	MATERIAL NO.	DOCUMENT NO.		SHEET NO.	
		SEE SHEET 7	SD-46720-0000		4 OF 7	
		SIZE B	THIS DRAWING CONTAINS INFORMATION THAT IS PROPRIETARY TO MOLEX INCORPORATED AND SHOULD NOT BE USED WITHOUT WRITTEN PERMISSION			

9 8 7 6 5 4 3 2 1

10 9 8 7 6 5 4 3 2 1

196 CKT

ALL OTHER DIMENSIONS ARE THE SAME AS 64 CKT (SHEET 2) UNLESS OTHERWISE SPECIFIED



BOARD COMPONENT KEEP OUT ZONE

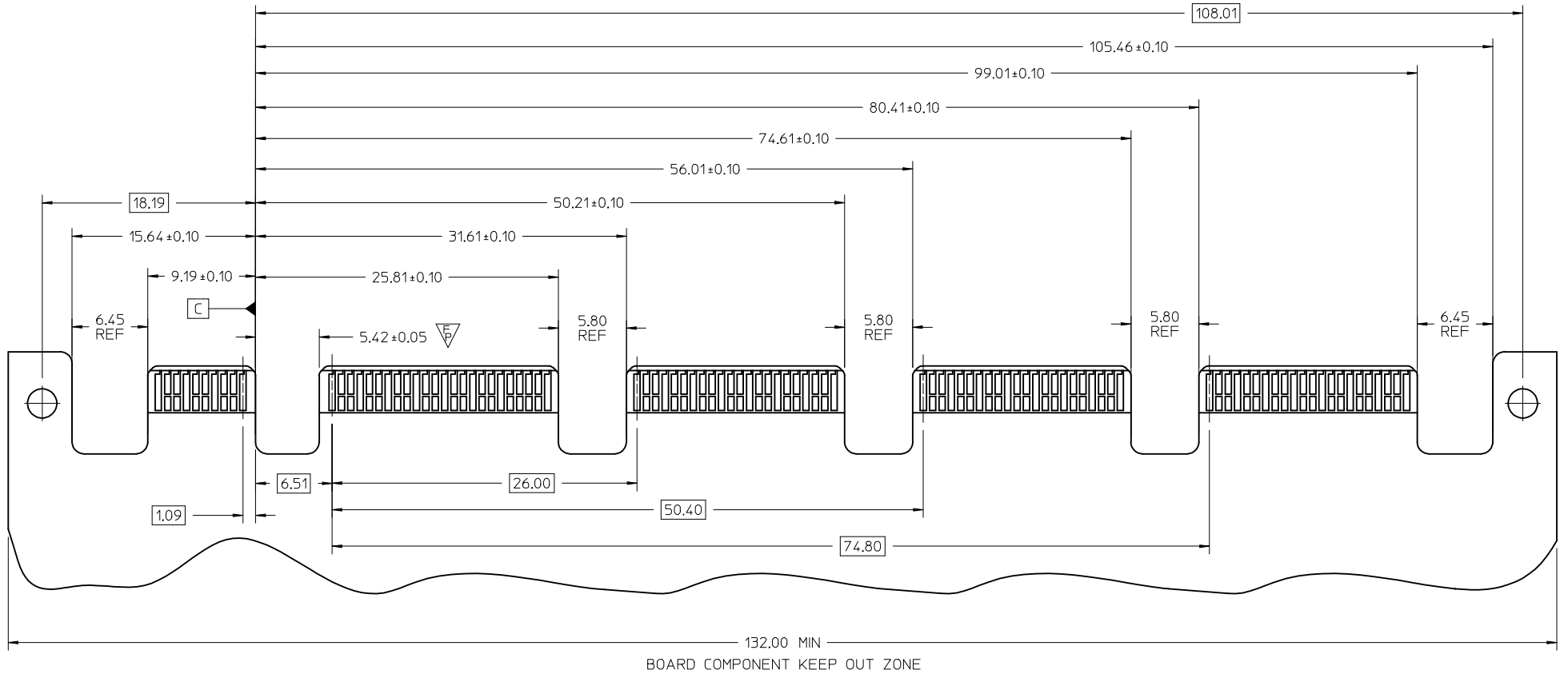
SEE SHEET 1 EC NO: S2015-1374 DRAWN: WHL LONG CHKD: CGTAN APPR: SHLENI	2015/05/25 2015/06/03	QUALITY SYMBOLS ▽/0 ▽/0 ▽/1 ▽/0	GENERAL TOLERANCES (UNLESS SPECIFIED) mm INCH 4 PLACES ± --- ± --- 3 PLACES ± --- ± --- 2 PLACES ± --- ± --- 1 PLACE ± --- ± --- ANGULAR ±1/2°	DIMENSION STYLE MM ONLY DRAWN BY DATE T.GREGORI 2010/03/24 CHECKED BY DATE	SCALE 3:1 TITLE	DESIGN UNITS METRIC THIRD ANGLE PROJECTION
	APPROVED BY DATE J.COMERCI 2010/04/12	ASSEMBLY EDGELINE COEDGE CONNECTOR, 100 OHM		MOLEX INCORPORATED		
	MATERIAL NO. SEE SHEET 7	DOCUMENT NO. SD-46720-0000	SHEET NO. 5 OF 7			
	DRAFT WHERE APPLICABLE MUST REMAIN WITHIN DIMENSIONS					THIS DRAWING CONTAINS INFORMATION THAT IS PROPRIETARY TO MOLEX INCORPORATED AND SHOULD NOT BE USED WITHOUT WRITTEN PERMISSION

9 8 7 6 5 4 3 2 1

10 9 8 7 6 5 4 3 2 1

200 CKT

ALL OTHER DIMENSIONS ARE THE SAME AS 64 CKT (SHEET 2) UNLESS OTHERWISE SPECIFIED

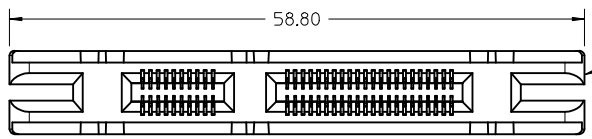


SEE SHEET 1 EC NO: S2015-1374 DRAWN: WHL LONG 2015/05/25 CHKD: CGTAN 2015/06/03 APPR: SILENI 2015/06/03	QUALITY SYMBOLS ▽/0 ▽/0 ▽/1 ▽/0	GENERAL TOLERANCES (UNLESS SPECIFIED) mm INCH 4 PLACES ± --- ± --- 3 PLACES ± --- ± --- 2 PLACES ± --- ± --- 1 PLACE ± --- ± --- 0 PLACE ± ±	DIMENSION STYLE MM ONLY DRAWN BY DATE T.GREGORI 2010/03/24 CHECKED BY DATE	SCALE 3:1 TITLE ASSEMBLY EDGELINE COEDGE CONNECTOR, 100 OHM	DESIGN UNITS METRIC THIRD ANGLE PROJECTION
	MATERIAL NO. SEE SHEET 7	APPROVED BY DATE J.COMERCI 2010/04/12	ANGULAR ± 1/2° DRAFT WHERE APPLICABLE MUST REMAIN WITHIN DIMENSIONS	DOCUMENT NO. SD-46720-0000	SHEET NO. 6 OF 7
	THIS DRAWING CONTAINS INFORMATION THAT IS PROPRIETARY TO MOLEX INCORPORATED AND SHOULD NOT BE USED WITHOUT WRITTEN PERMISSION				
	SIZE B				

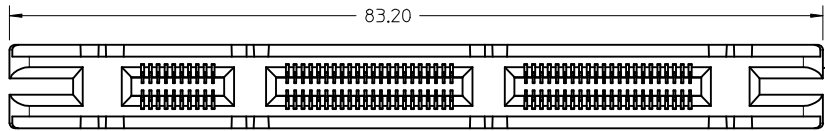
9 8 7 6 5 4 3 2 1

PART NUMBER	CIRCUIT SIZE	PCB A THK (in)	PCB B THK (in)	DIM A
46720 0001	64	.062	.062	58.8
46720 0002	64	.093	.093	58.8
46720 0003	64	.110	.110	58.8
46720 0004	64	.125	.125	58.8
46720 0005	64	.062	.093	58.8
46720 0006	64	.062	.110	58.8
46720 0007	64	.062	.125	58.8
46720 0008	64	.093	.110	58.8
46720 0009	64	.093	.125	58.8
46720 0010	64	.110	.125	58.8
46720 0011	108	.062	.062	83.2
46720 0012	108	.093	.093	83.2
46720 0013	108	.110	.110	83.2
46720 0014	108	.125	.125	83.2
46720 0015	108	.062	.093	83.2
46720 0016	108	.062	.110	83.2
46720 0017	108	.062	.125	83.2
46720 0018	108	.093	.110	83.2
46720 0019	108	.093	.125	83.2
46720 0020	108	.110	.125	83.2
46720 0021	152	.062	.062	107.6
46720 0022	152	.093	.093	107.6
46720 0023	152	.110	.110	107.6
46720 0024	152	.125	.125	107.6
46720 0025	152	.062	.093	107.6
46720 0026	152	.062	.110	107.6
46720 0027	152	.062	.125	107.6
46720 0028	152	.093	.110	107.6
46720 0029	152	.093	.125	107.6
46720 0030	152	.110	.125	107.6
46720 0031	196	.062	.062	132
46720 0032	196	.093	.093	132
46720 0033	196	.110	.110	132
46720 0034	196	.125	.125	132
46720 0035	196	.062	.093	132
46720 0036	196	.062	.110	132
46720 0037	196	.062	.125	132
46720 0038	196	.093	.110	132
46720 0039	196	.093	.125	132
46720 0040	196	.110	.125	132
46720 0041	200	.125	.125	132

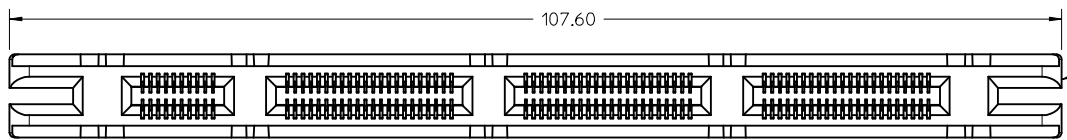
BOARD THICKNESS (IN)



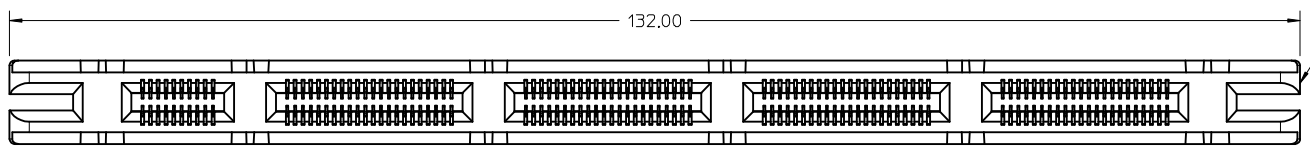
64 CKT



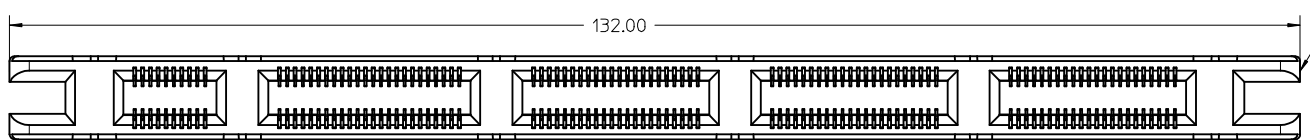
108 CKT



152 CKT



196 CKT

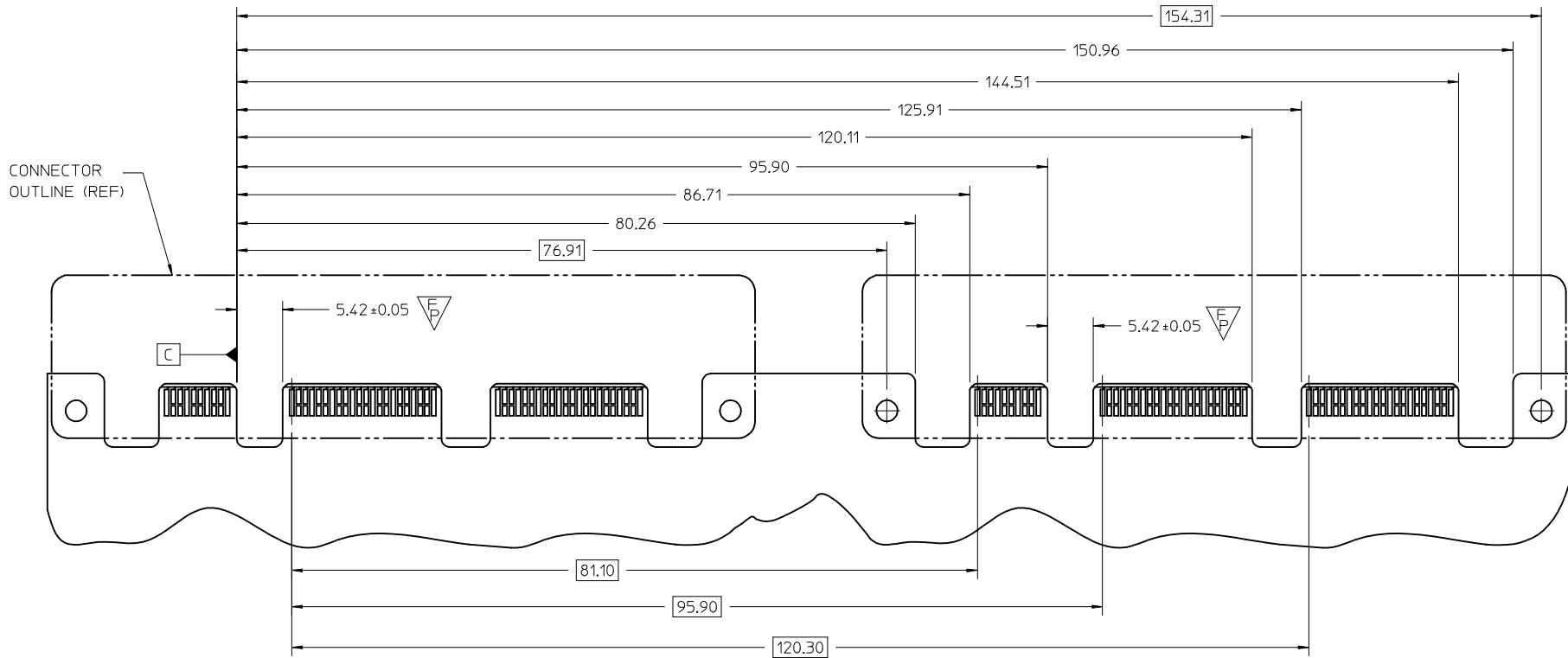


200 CKT

SEE SHEET 1 EC NO: S2015-1374 DRAWN: WHL LONG CHKD: CGTAN APPR: SHLENI	2015/05/25 2015/06/03 2015/06/03	QUALITY SYMBOLS $\nabla = 0$ $\nabla = 0$ $\nabla = 0$	GENERAL TOLERANCES (UNLESS SPECIFIED)		DIMENSION STYLE MM ONLY		SCALE 2:1	DESIGN UNITS METRIC	THIRD ANGLE PROJECTION		
			4 PLACES	± ---	± ---	DRAWN BY TGREGORI	DATE 2010/03/24	TITLE ASSEMBLY EDGE LINE COEDGE CONNECTOR, 100 OHM			
			3 PLACES	± ---	± ---	CHECKED BY	DATE				
			2 PLACES	± ---	± ---	APPROVED BY JCOMERC I	DATE 2010/04/12	MOLEX INCORPORATED DOCUMENT NO. SD-46720-0000			
1 PLACE	± ---	± ---	MATERIAL NO.	DATE	SHEET NO. 7 OF 7						
DRAFT WHERE APPLICABLE MUST REMAIN WITHIN DIMENSIONS			ANGULAR ±1/2°		SEE TABLE		THIS DRAWING CONTAINS INFORMATION THAT IS PROPRIETARY TO MOLEX INCORPORATED AND SHOULD NOT BE USED WITHOUT WRITTEN PERMISSION				

PCB 1 LAYOUT (PRIMARY)

SEE DRAWING SD-46720-0000 FOR ALL PAD DETAILS NOT SHOWN



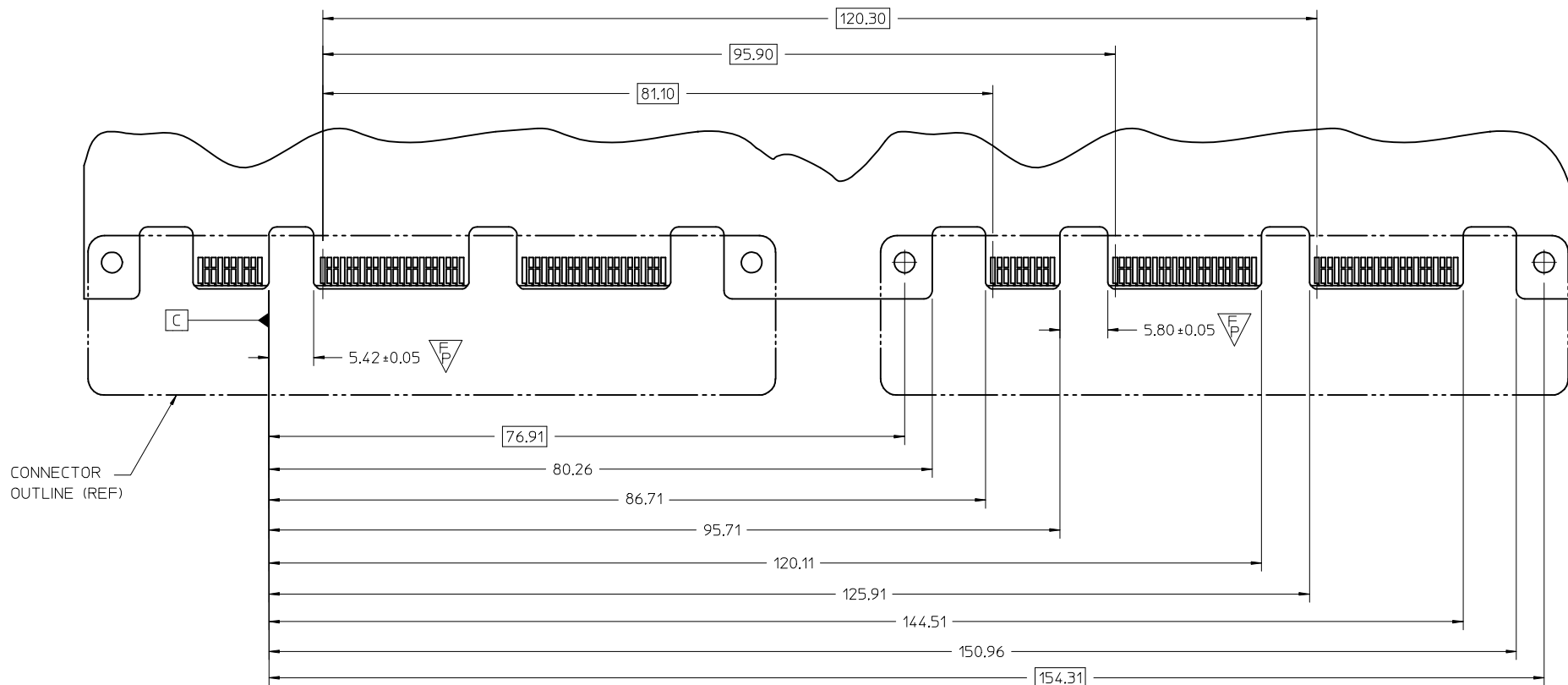
NOTE:

1. ALL CONNECTORS MUST BE MATED TO PCB 1 BEFORE TO PCB 2.

INITIAL RELEASE EC NO: UCP2012-0081 DRAWN: JGREGORI 2011/07/08 CHKD: JCOMERC I APPR: JCOMERC I 2011/07/25 REV 1	QUALITY SYMBOLS F/0 F/0 F/3	GENERAL TOLERANCES (UNLESS SPECIFIED) mm INCH 4 PLACES ± --- ± --- 3 PLACES ± --- ± --- 2 PLACES ± 0.10 ± --- 1 PLACE ± --- ± --- ANGULAR ±1/2°	DIMENSION STYLE MM ONLY DRAWN BY DATE JGREGORI 2011/07/08 CHECKED BY DATE APPROVED BY DATE JCOMERC I 2011/07/25 MATERIAL NO.	SCALE 2:1 DESIGN UNITS METRIC THIRD ANGLE PROJECTION	TITLE EDGELINE, 12.5 GPBS COEDGE CONN. 108 CKT MULTI CONN PCB LAYOUT MOLEX INCORPORATED DOCUMENT NO. SD-46720-0108 SHEET NO. 1 OF 2	
	DRAFT WHERE APPLICABLE MUST REMAIN WITHIN DIMENSIONS		46720	MOLEX	THIS DRAWING CONTAINS INFORMATION THAT IS PROPRIETARY TO MOLEX INCORPORATED AND SHOULD NOT BE USED WITHOUT WRITTEN PERMISSION	
			SIZE B			

PCB 2 LAYOUT (SECONDARY)

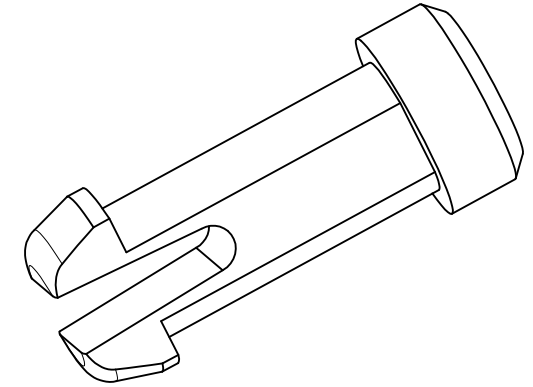
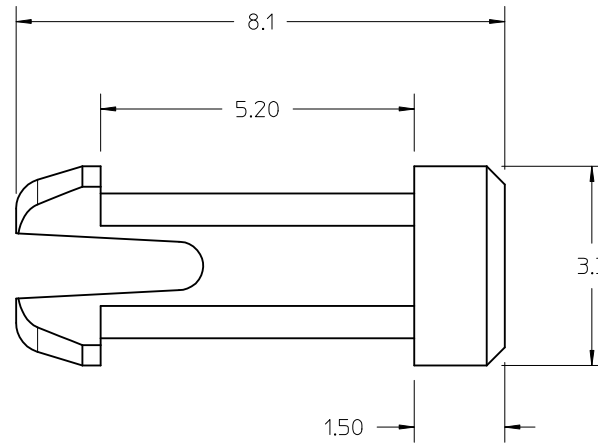
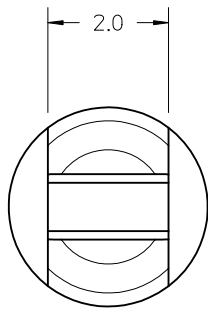
SEE DRAWING SD-46720-0000 FOR ALL PAD DETAILS NOT SHOWN



NOTE:

1. ALL CONNECTORS MUST BE MATED TO PCB 1 BEFORE TO PCB 2.

SEE SHEET 1 EC NO: UCP2012-0081 DRAWN: JGREGORI 2011/07/08 CHKD: JGREGORI APPR: JCOMERCI 2011/07/25	QUALITY SYMBOLS	GENERAL TOLERANCES (UNLESS SPECIFIED)	DIMENSION STYLE	SCALE	DESIGN UNITS	THIRD ANGLE PROJECTION
	▽F=0	mm INCH	MM ONLY	2:1	METRIC	
	▽F=0	4 PLACES ± --- ± ---	DRAWN BY DATE	TITLE		
	▽F=3	3 PLACES ± --- ± ---	TGREGORI 2011/07/08	EDGELINE, 12.5 GPBS COEDGE CONN. 108 CKT MULTI CONN PCB LAYOUT		
		2 PLACES ± 0.10 ± ---	CHECKED BY DATE	MOLEX INCORPORATED		
		1 PLACE ± --- ± ---	APPROVED BY DATE	DOCUMENT NO.		
		ANGULAR ± 1/2°	JCOMERCI 2011/07/25	SD-46720-0108		
		DRAFT WHERE APPLICABLE MUST REMAIN WITHIN DIMENSIONS	MATERIAL NO.	SHEET NO.		
			46720	2 OF 2		
			SIZE B	THIS DRAWING CONTAINS INFORMATION THAT IS PROPRIETARY TO MOLEX INCORPORATED AND SHOULD NOT BE USED WITHOUT WRITTEN PERMISSION		



NOTES:

1. MATERIAL: NYLON 6/6, UL94 V-0 (RMS-19)
COLOR: NATURAL
2. FOR USE WITH MOLEX EDGELINE COEDGE SERIES 46720.
3. RIVETS RECEIVED FROM MOLEX IN INDIVIDUAL PLASTIC BAGS WITH QUANTITY 1000 PCS
4. TO REMOVE RIVET FROM ASSEMBLY USE MOLEX REMOVAL TOOL NUMBER 638133502

REMOVED P/N 7711 EC NO: UCP2012-0083 DRWN: TGREGORI 2011/07/14 CH'KD: APPR: JCOMERCI 2011/09/13	QUALITY SYMBOLS = 0 = 0 = 0	GENERAL TOLERANCES (UNLESS SPECIFIED)		DIMENSION STYLE MM ONLY		SCALE 8:1	DESIGN UNITS METRIC	THIRD ANGLE PROJECTION		
			mm	INCH	DRAWN BY TGREGORI	DATE 2010/03/24	TITLE SNAP LOCK PIN EDGELINE COEDGE CONNECTOR			
		4 PLACES	± ---	± ---	CHECKED BY	DATE				
		3 PLACES	± ---	± ---	APPROVED BY JCOMERCI		DATE 2010/04/12	MOLEX INCORPORATED DOCUMENT NO. SD-46720-7710 SHEET NO. 1 OF 1		
2 PLACES	± 0.13	± ---	MATERIAL NO. 46720-7710							
1 PLACE	± 0.25	± ---	DRAFT WHERE APPLICABLE MUST REMAIN WITHIN DIMENSIONS		SIZE A	THIS DRAWING CONTAINS INFORMATION THAT IS PROPRIETARY TO MOLEX INCORPORATED AND SHOULD NOT BE USED WITHOUT WRITTEN PERMISSION				
			ANGULAR ±1/2°							