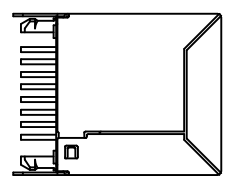
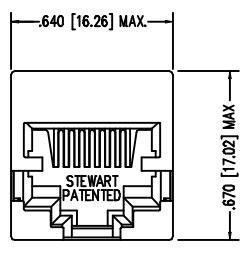
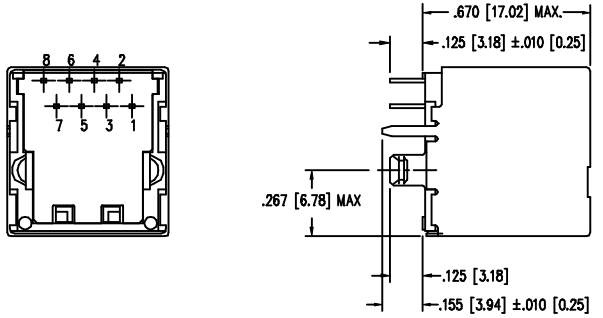
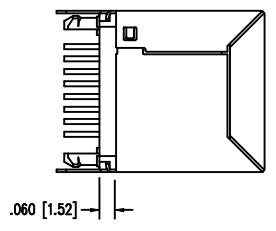
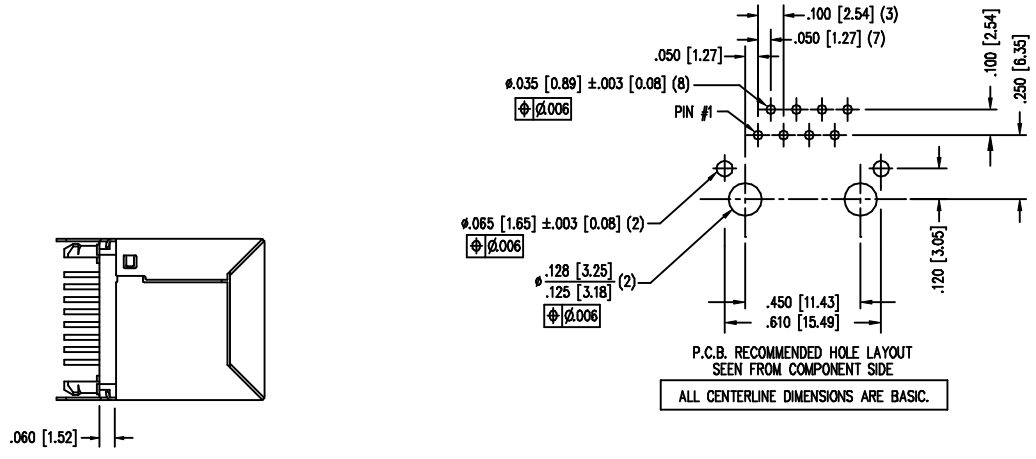


DATE	REV	ECN	APP'D. BY
10-7-02	A1	5500	TRM
1-27-03	A2	5800	TRM



- NOTES:
- CONNECTOR MATERIALS:
HOUSING: THERMOPLASTIC UL94 V-0
CONTACT/SHIELD: COPPER ALLOY
SHIELD PLATING: NICKEL OR TIN
CONTACT PLATING: SELECTIVE GOLD IN CONTACT AREA
SEE CHART FOR PART NUMBER
 - PRODUCT SPECIFICATION: FOR CATEGORY 5 APPLICATIONS.
 - TOLERANCES COMPLY WITH F.C.C. DIMENSION REQUIREMENTS.

50 MICRO-INCHES [1.27um]	SS-7188VS-A-NF-50
30 MICRO-INCHES [0.76um]	SS-7188VS-A-NF
CONTACT PLATING	PART NUMBER

<p>THIRD ANGLE PROJECTION</p>		<p>Stewart Connector</p> <p>11118 Susquehanna Trail South Glen Rock, PA 17327-9199 (717) 235-7512 Fax: (717) 235-7954</p> <p>http://www.stewartconnector.com</p>	
<p>DO NOT SCALE DRAWING DRAWING IS SUBJECT TO CHANGE WITHOUT NOTICE</p>		<p>TITLE: EIGHT CONTACT, EIGHT POSITION; VERTICAL MOUNT SHIELDED JACK NON-FLANGE</p>	
<p>DIMENSIONS: INCHES [METRIC] UNLESS OTHERWISE SPECIFIED TOLERANCES ARE ±.005 [0.13] ANGLES ARE ± 1°</p>		<p>THIS DRAWING AND THE SUBJECT MATTER SHOWN THEREON ARE CONFIDENTIAL AND THE PROPRIETARY PROPERTY OF STEWART CONNECTOR ("SCS") AND SHALL NOT BE REPRODUCED, COPIED OR USED IN ANY MANNER WITHOUT PRIOR WRITTEN CONSENT OF "SCS". THE SUBJECT MATTER MAY BE PATENTED OR A PATENT MAY BE PENDING. © SCS</p>	
<p>SHEET NO. 1 OF 1</p>		<p>DRN BY: TRM DATE 1-27-03</p> <p>CKD BY: TRM DATE 1-27-03</p> <p>APPD BY: RGC DATE 1-28-03</p> <p>DWG NO. CT710020</p>	<p>REV. A2</p>