

5

4

3

2

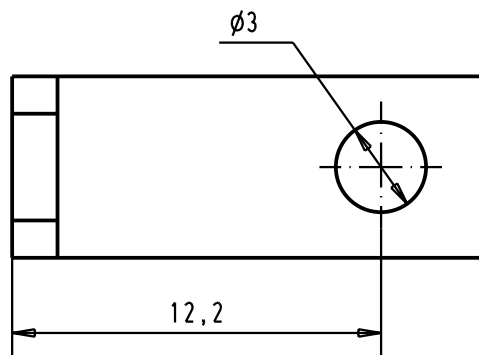
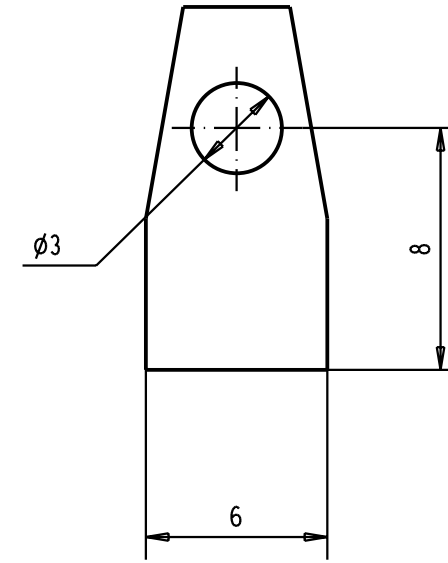
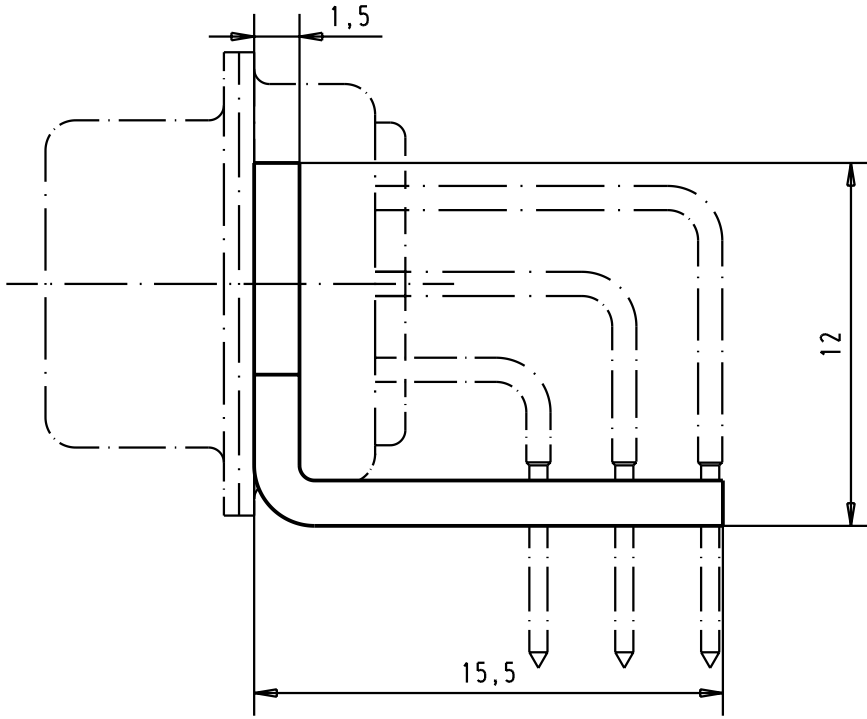
1



D

C

B

A



					Dat. Name 09-APR-02 CV		 All Dim. in mm Orig. Size DIN A 4	D-Sub, Fixing metal bracket 50 poles Maßstab/ Scale 4:1
					Insp.			
					Stand.			
09 67 000 9911								Blatt/ Page 1 /
Part number		29768	09-APR-02	CV	HARTING EURL F-95972 Paris 		TB 09670009911	
		Mod.	Dat.	Name			Sub.	