

**SPECIFICATION FOR APPROVAL**

**CUSTOMER** :

**DESCRIPTION** : DC BRUSHLESS FAN

**DIMENSIONS** : 50X50X10 mm

**M O D E L** : KDE0505PFS1-8

**APPROVED NO** :

**APPROVED BY** :  
(AUTHORZIED)



DAWN.	張育真 2/16	CHKD.		APPD.		SPEC. NO.	052354300
						ISSUE DATE	01.16.1996
						EDITION	0
						REVISE DATE	

建準電機工業股份有限公司  
 SUNONWEALTH ELECTRIC MACHINE INDUSTRY CO., LTD.  
 12FL., 120 CHUNG CHENG 1ST RD., TEL:886-7-7163069(41 LINES)  
 KAOHSIUNG, TAIWAN, R. O. C. FAX:886-7-7163086~89

**DC BRUSHLESS FAN**

**MODEL: KDE0505PFS1-8**

**CHARACTERISTICS**

- 1. Motor Design** : **Patented single-coil DC brushless 8 poles motor design.**
- 2. Insulation Resistance** : **More than 500M ohm between internal stator and lead wire(+) measured by DC 500V.**
- 3. Dielectric Strength** : **Applied AC 500V for one minute or AC 600V for 2 seconds between housing and lead wire(+)**
- 4. Noise Level** : **Measured in an semi-anechoic chamber with background noise level below 15 dBA. The fan is running in free air with microphone at a distance of one meter from the fan intake.**
- 5. Input power , Current & Speed** : **Measured after continuous 30 minutes operation at rated voltage in clean air at ambient temperature of 25 degrees C.**
- 6. Tolerances** : **+/-15% on rated power and current**
- 7. Motor Protection** : **Polarity protected & Locked rotor protected.**
- 8. Air Performance** : **Measured by a double chamber. The value are recorded when the fan speed is stabilized at rated voltage.**



建準電機工業股份有限公司 SUNONWEALTH ELECTRIC MACHINE INDUSTRY CO., LTD.	SPEC. NO.	052354300	REVISE DATE	
	ISSUE DATE	01. 16. 1996	EDITION	0
	PAGE	2 OF 5		

<b>SPECIFICATIONS</b>
-----------------------

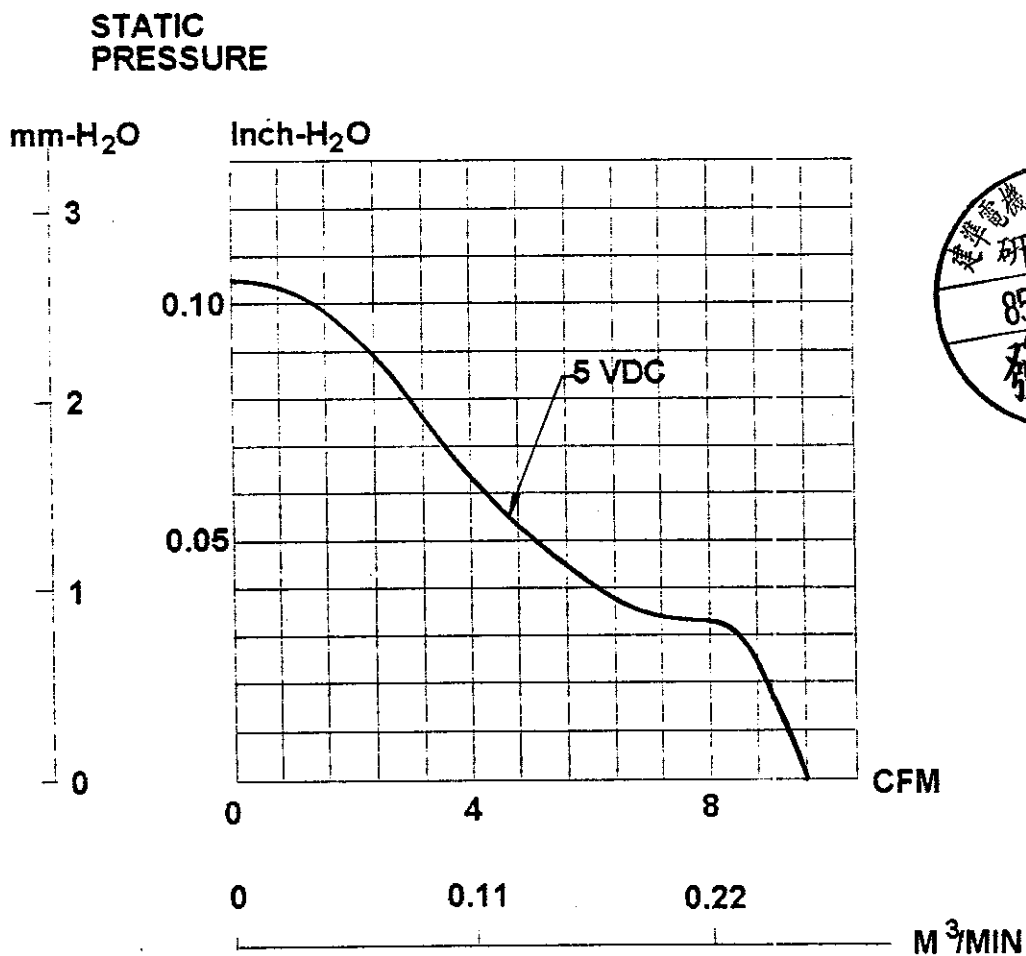
**MODEL: KDE0505PFS1-8**

1-1. Rated Voltage	:	5 VDC
1-2. Operating Voltage Range	:	4-6 VDC
1-3. Starting Voltage	:	4 VDC
1-4. Rated Speed	:	5100 RPM±700 RPM
1-5. Air Delivery	:	9.6 CFM
1-6. Static Pressure	:	0.105 Inch-H <sub>2</sub> O
1-7. Rated Current	:	0.17 AMP
1-8. Rated Power	:	0.9 WATTS
1-9. Noise Level	:	30.5 dB(A)
1-10. Direction of Rotation	:	Clockwies viewed from front face
1-11. Operating Temperature	:	-10 to +70 Deg.C
1-12. Storage Temperature	:	-40 to +80 Deg.C
1-13. Bearing System	:	Lubricated sleeve bearing system
1-14. Weight	:	24g
1-15. Safety	:	UL/CUR Approvals



MODEL: KDE0505PFS1-8

PERFORMANCE CURVES



建準電機工業股份有限公司  
SUNONWEALTH ELECTRIC  
MACHINE INDUSTRY CO., LTD

SPEC. NO.

052354300

REVISE DATE

ISSUE DATE

01. 16. 1996

EDITION

0

PAGE

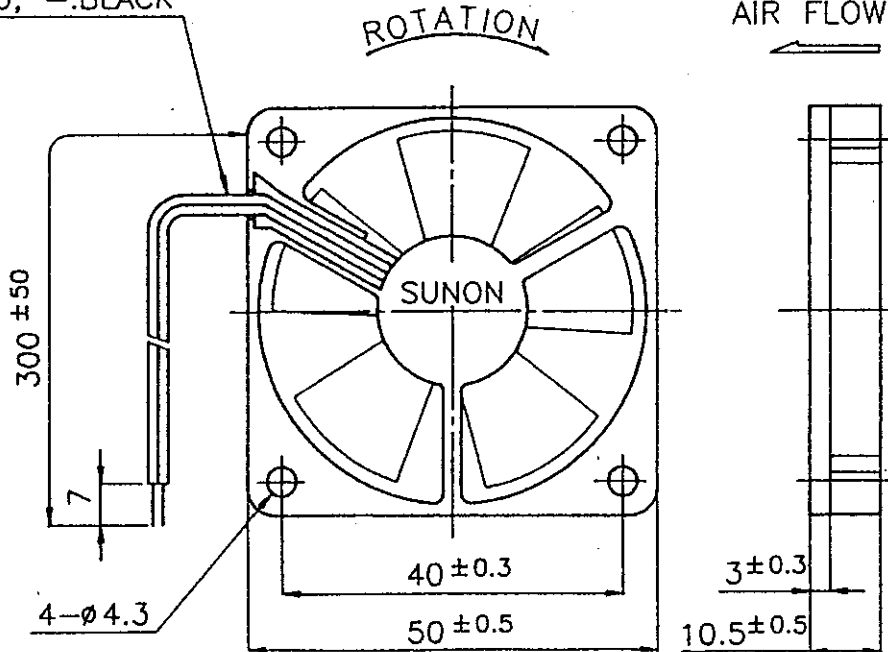
4 OF 5

**MATERIAL**

- 2-1. Frame : Thermoplastic PBT of UL 94V-0
- 2-2. Impeller : Thermoplastic PBT of UL 94V-0
- 2-3. Bobbin : Thermoplastic PBT of UL 94V-0
- 2-4. Lead Wire : UL2468, 26AWG, +:RED ; -:BLACK

**DIMENSIONS**

UL2468 #26AWG  
+:RED, -:BLACK



UNIT : mm

建準電機工業股份有限公司 SUNONWEALTH ELECTRIC MACHINE INDUSTRY CO., LTD.	SPEC. NO.	052354300	REVISE DATE	
	ISSUE DATE	01. 16. 1996	EDITION	0
	PAGE	5 OF 5		