

ATLANTIC VERSION TERMINATOR INTERFACE ADAPTER	PART NUMBER	REVISION	DESCRIPTION	FEED TYPE	CONVERT TO	PART NUMBERS REQUIRED					
	2151005-1	A	FINE CRIMP HEIGHT ADJUST	MECHANICAL	PNEUMATIC FEED	2119950-1	1338685-1	5-18022-5	2119641-1	2119799-1	2063440-1
					SERVO LATCH PLATE	2119951-1	-	8-2151005-5	1901094-3	-	2168400-6 (QUANTITY 2)
					SMART APPLICATOR	2161326-1	-	8-2151005-4	-	-	-
	2151005-2	A	FINE CRIMP HEIGHT ADJUST	PNEUMATIC	MECHANICAL FEED	2119949-1	1338685-1	5-18022-5	2119653-1	-	-
					SERVO LATCH PLATE	2119951-1	-	8-2151005-5	1901094-3	-	2168400-6 (QUANTITY 2)
					SMART APPLICATOR	2161326-1	-	8-2151005-4	-	-	-
	2151005-5	A	FINE CRIMP HEIGHT ADJUST	SERVO LATCH PLATE	MECHANICAL FEED	2119949-1	1338685-1	5-18022-5	2119653-1	-	-
2151005-6	A	NON CRIMP HEIGHT ADJUST	SERVO LATCH PLATE	PNEUMATIC FEED	2119950-1	1338685-1	5-18022-5	2119641-1	2119799-1	2063440-1	
2151005-7	A	FINE CRIMP HEIGHT ADJUST	NONE	-	-	-	-	-	-	-	
7-2151005-7	A	CRIMP TOOLING KIT	-	-	-	-	-	-	-	-	

APPLICATOR DATA		
CRIMP WIRE	SIZE	TYPE
WIRE	0.69 mm [.027]	F
INSUL	0.76 mm [.030]	F

APPLICATOR INSTRUCTIONS 408-10389

TERMINAL DATA: TE TERMINAL		TE CRIMP SPEC
TERMINAL NAME: 1.0 mm PITCH WIRE TO BOARD CONNECTOR		
WIRE STRIP LENGTH	INSULATION DIAMETER RANGE	
1.00-1.20 mm [.039-.047 IN]	Ø0.40-0.80 mm [.016-.031 IN]	
TERMINAL APPLICATION SPECIFICATION	114-57020	
TERMINALS APPLIED		
TE TERMINAL	TE TERMINAL	TE TERMINAL
1734597-1		

WIRE SIZE	CRIMP HEIGHT mm [INCH]	CRIMP HEIGHT REFERENCE SETTING
28 AWG	0.46 +/- 0.02 [.018 +/- .001]	11.5
30 AWG	0.42 +/- 0.02 [.017 +/- .001]	11.8
32 AWG	0.41 +/- 0.02 [.016 +/- .001]	12.0

- 1 RECOMMENDED SPARE PARTS
- 2 GREASE BEARING SURFACES LIGHTLY
- 3 LUBRICATE DAILY PER THE APPLICATOR INSTRUCTION SHEET SUPPLIED WITH THE APPLICATOR.
- 4 APPLICATOR SPECIFIC DATA TO BE ENTERED INTO BLANK MEMORY CHIP AT ASSEMBLY. SEE BELOW FOR PART NUMBER:
 MECHANICAL FEED WITH "SMART APPLICATOR" CONVERSION: 8-2151005-4
 PNEUMATIC FEED WITH "SMART APPLICATOR" CONVERSION: 8-2151005-4
 SERVO FEED WITH "FINE CRIMP HEIGHT ADJUST": 8-2151005-5
 SERVO FEED WITH "NON-CRIMP HEIGHT ADJUST": 8-2151005-6
- 5 ADJUSTMENT OF THE STRIPPER MAY BE REQUIRED WHEN MOVING THE APPLICATOR BETWEEN BENCH AND LEADMAKER APPLICATIONS.
- 6 APPLY PART NUMBER 1-23419-5 LOCTITE TO THREADS OF ITEM 50.
- 7 GREASE THREADS, GROOVE AND O-RING ON ITEMS 35 & 252.
- 8 MAGNET, ITEM 166 MUST BE ORIENTED CORRECTLY IN ORDER TO PROPERLY ACTUATE THE COUNTER.
- 9 CRIMP HEIGHT REFERENCE SETTING WAS THE SETTING USED WHEN THE APPLICATOR WAS QUALIFIED AT THE FACTORY. ADJUSTMENT MAY BE NECESSARY WHEN RUNNING APPLICATOR IN THE FIELD.
- 10 SPARE FEED CAM STORAGE LOCATION REFER TO INSTRUCTION SHEET FOR ADDITIONAL INFORMATION.
- 11 TO CONVERT THE APPLICATOR TO A NON-CARRIER CUTTING STYLE, REMOVE ITEM 13 AND ATTACH TO THE LOCATION ON THE BACK SIDE OF THE HOUSING. REFER TO INSTRUCTION SHEET FOR ADDITIONAL INFORMATION.
- 12 WHEN ASSEMBLING -6 NON-CRIMP HEIGHT ADJUST APPLICATOR USE SHIM PACK 2119957-2 TO ALIGN APPLICATOR'S MAXIMUM WIRE CRIMP HEIGHT AT NORMAL TERMINATOR SHUT HEIGHT

***WARNING**
 ON INSTALLATION, SET WIRE DISC, ITEM 40 TO LARGEST WIRE SIZE SETTING. USE OF SETTINGS BELOW MINIMUM REQUIRED CRIMP HEIGHT SETTING WILL CAUSE DAMAGE TO CRIMP TOOLING.

ITEM NO	DESCRIPTION	ITEM NO
2119957-2	APPLICATOR SHIM PACK	260
8-21084-0	O-RING, .676 ID, .070 DIA. MAT.	252
2119640-1	PUSH ROD, AIR FEED	250
2079988-1	BUSHING, LCH5-12, MISUMI	249
2119641-1	FEED CAM, AIR FEED	248
2119798-1	DETENT PIN	247
1-22279-3	SPRING, COMPRESSION	246
2119758-1	RAM, AMP STYLE, SIDE FEED, NON-ADJ.	245
2119082-9	CAM, SNAIL, INSULATION ADJUSTMENT	244
2079764-1	WASHER, WAVE SPRING, CREST-TO-CREST	243
2119083-1	RETAINER, INSULATION DIAL	242
18023-1	SCR, SKT HD CAP M3 X 5.0	241
2168400-6	SHCS, LOW HEAD, RoHS, M5 X 16	240
2119580-1	MECHANICAL FEED ASSEMBLY	239
2063440-1	AIR FEED MODULE	238
-77	PART NO	DESCRIPTION

ATLANTIC VERSION
 Shown on sheets 1 of 4 & 2 of 4
 (Pacific version shown on sheets 3 of 4 & 4 of 4)

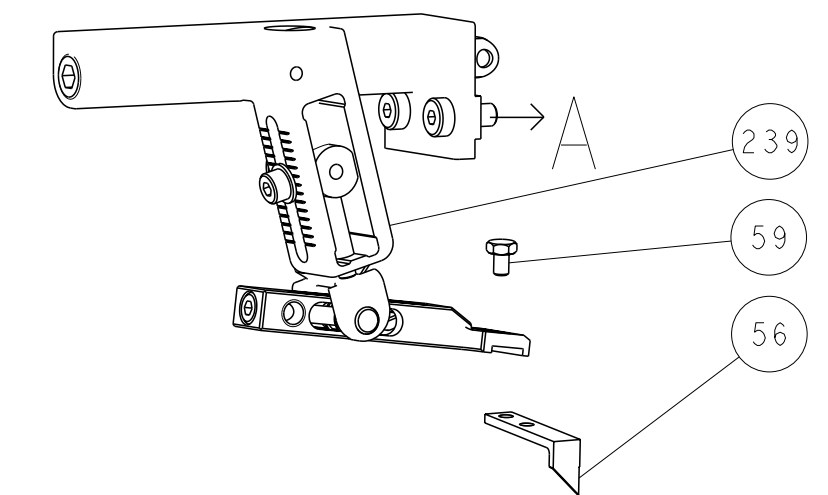
SET UP GAUGE	LOC	DIST	REVISIONS				
2119599-1	A	66	P LTR	DESCRIPTION	DATE	OWN	APVD
			A	RELEASED	25JUL2011	LG	GB
			A1	ECR-11-020747	25OCT2011	GH	TE

ITEM NO	DESCRIPTION	ITEM NO
1-2079383-0	SCR, BHSC, RoHS (M3 X 6)	230
2119740-2	TAG, IDENTIFICATION	213
1901094-3	SPACER, FEEDER	198
2-1976053-3	LOCATER BLOCK, TERMINAL	179
993111-1	PIN, SLOTTED SPRING 3.0 X 20.0	177
8-22280-7	SPRING, COMPRESSION	176
1752353-2	GUIDE PIN, HOLDDOWN	175
1901680-2	GUIDE PIN, HOLDDOWN	174
21045-3	RING, RETAIN, EXTERN, 3/16 CRESCENT	172
994969-1	MAGNET, RARE EARTH HIGH ENERGY	166
994970-2	COUNTER, MAGNETIC	164
240638-1	SPRING, FEED FINGER	163
3-23627-7	PIN, RETAIN, GRVD, 3/16 X .854	137
2119799-1	HOLDER, FEED FINGER, AF	136
REF REF	SEE NOTE 4 MEMORY CHIP, PROGRAMMED	135
1633743-1	SERVO FEED LATCH ASM	133
1-18028-2	WASHER, FLAT, REG M4	119
REF REF	2119944-1 FEED FINGER ASSEMBLY, SF	117
690438-1	FRONT STRIP GUIDE	96
2168083-1	SCR, SKT HD CAP, RoHS, M3 X 8.0	95
2-455888-0	SPACER, CRIMPER	82
5-547505-2	SPRING, COMPRESSION	77
854769-4	HOLDER, INS	74
2119956-1	DOCUMENTATION PACKAGE	71
18026-1	WASHER, SPRG LOCK, REG M3	68
2119740-1	TAG, IDENTIFICATION	67
2168078-1	SCREW, DRIVE, RH, RoHS	66
2119793-1	LIMITER, ADJUSTMENT BOLT	63
992763-5	SCR, SET, SOC, CONE POINT, M3 x 4.0	62
2-18032-5	SCR, SET, FLT POINT M5 X 20.0	61
2079383-4	SCR, BHSC, RoHS (M4 X 8)	60
5-18022-5	SCR, HEX HD CAP, M4 X 6.0	59
21028-2	PIN, SLOTTED SPRING .062 X .250	58
1338685-1	PAWL, FEED	56
2168400-1	SHCS, LOW HEAD, RoHS, M4 X 12	54
1-5018030-0	NUT, HEX, REG, RoHS, M3.5	52
1901681-4	HOLDDOWN, TERMINAL	51
1-1752354-4	STANDOFF, HOLD-DOWN	50
18023-9	SCR, SKT HD CAP M4 X 6.0	49
2119652-1	FEED CAM, PRE FEED	48
2119653-1	FEED CAM, POST FEED	47
2119656-9	APPLICATOR BASIC ASSEMBLY, SF	46
2119370-1	RAM, AMP STYLE, SIDE FEED	44
2079383-7	SCR, BHSC, RoHS (M8 X 25)	41
2119645-1	DISC, NUMBERED FA WIRE ADJUSTMENT	40
2119957-1	APPLICATOR SHIM PACK	39
2119644-1	RAM WASHER, PRECISION	38
2119085-1	FA HEAD, ATLANTIC STYLE	37
2119092-1	BOLT, ADJUSTMENT	35
2-1752356-5	SUPPORT, TERMINAL	34
2079383-5	SCR, BHSC, RoHS (M4 X 20)	33
2161328-1	HEX HEAD, FLANGED, M5 x 8mm LONG	32
1320908-2	SPACER, STRIP GUIDE	30
2119959-3	ASSEMBLY, STRIP GUIDE	29
1-455888-0	SPACER, CRIMPER	28
22283-1	SPRING, COMPRESSION	27
356835-1	LEVER, DRAG RELEASE	26
679754-1	STOCK DRAG ASSEMBLY	25
1320928-2	PLATE, STRIP GUIDE	24
980371-4	SCR, SKT HD SHLDR 5.0 DIA X 6.0	23
2168083-2	SCR, SKT HD CAP, RoHS, M4 X 8.0	21
1-18028-2	WASHER, FLAT, REG M4	20
2119533-3	STRIPPER, SIDE FEED	19
2119806-1	INSERT, SHEAR	13
3-22280-3	SPRING, COMPRESSION	12
1-356885-4	STOP, SHEAR	11
2119805-1	SHEAR HOLDER, FRONT	10
1633861-1	SHEAR, FLOATING	9
3-1633711-7	ANVIL, COMBINATION	8
2119780-1	DEPRESSOR, SHEAR	5
238011-7	BLOCK, CRIMPER SPACER	4
1633962-1	CRIMPER, INSULATION F PREMIUM	3
1-1633713-8	CRIMPER, WIRE PREMIUM	1
-77	PART NO	DESCRIPTION

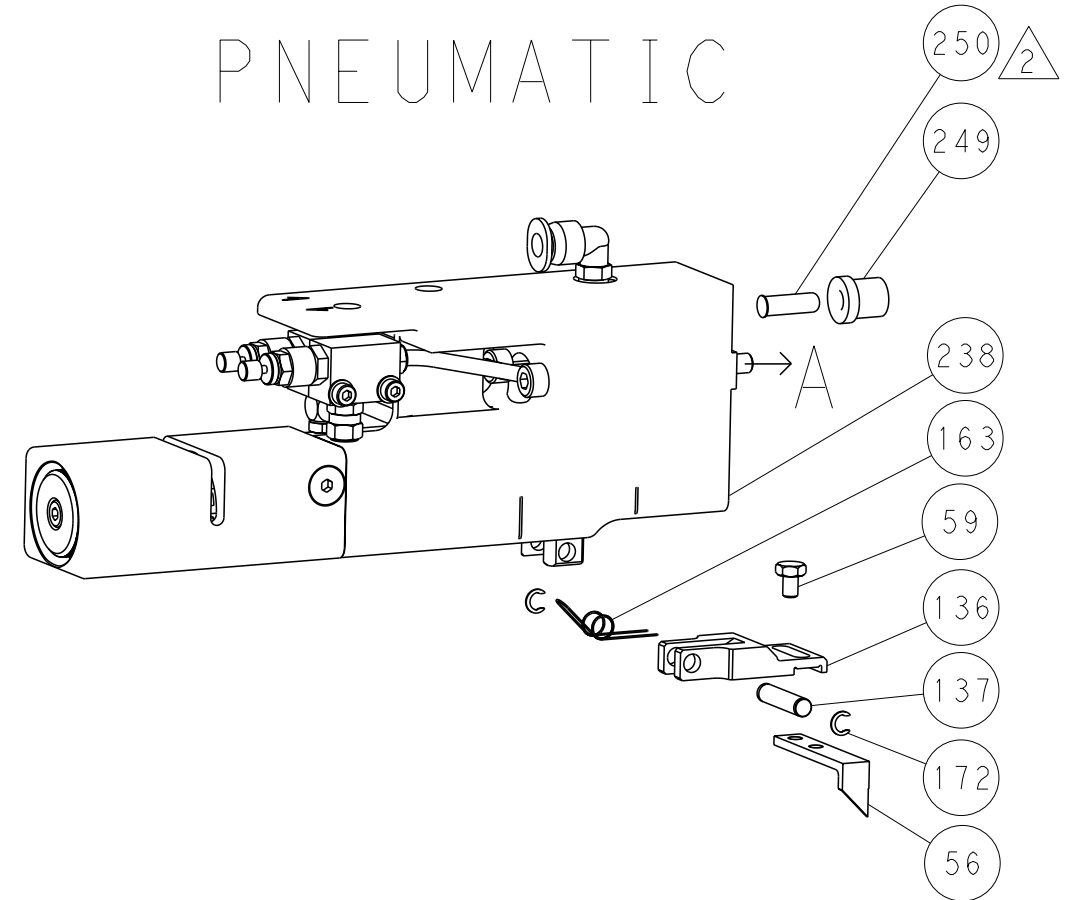
DIMENSIONS:		TOLERANCES UNLESS OTHERWISE SPECIFIED:		DRAWING NO	
mm	9 PLC ±.5	PLC	±.13	00779	C=2151005
	3 PLC ±.013	5 PLC ±.013	4 PLC ±.0001	00779	C=2151005
	4 PLC ±.0001	FINISH		00779	C=2151005

LOC	DIST	REV	DESCRIPTION	DATE	DWN	APVD
A	66		SEE SHEET 1			

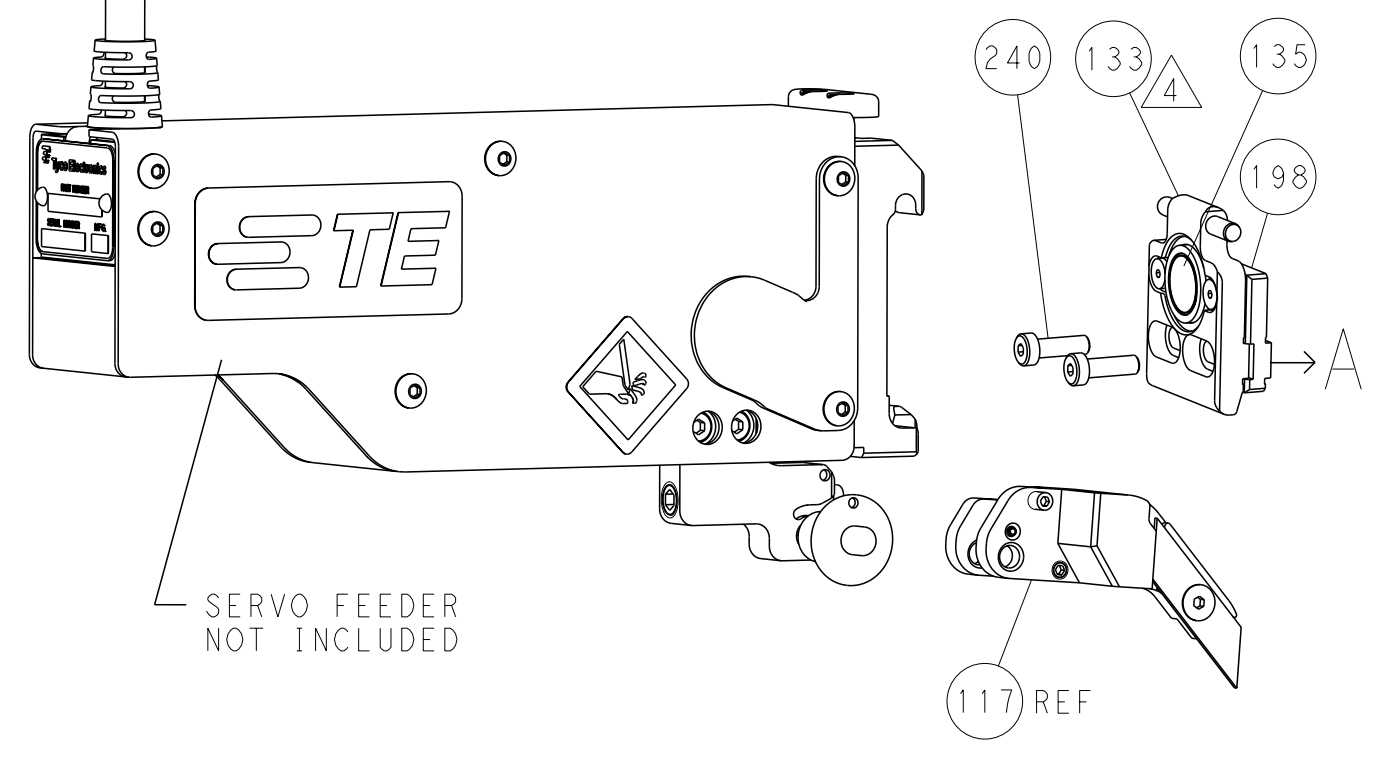
FEED TYPE MECHANICAL



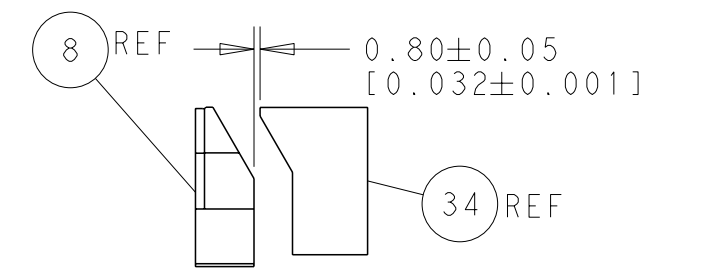
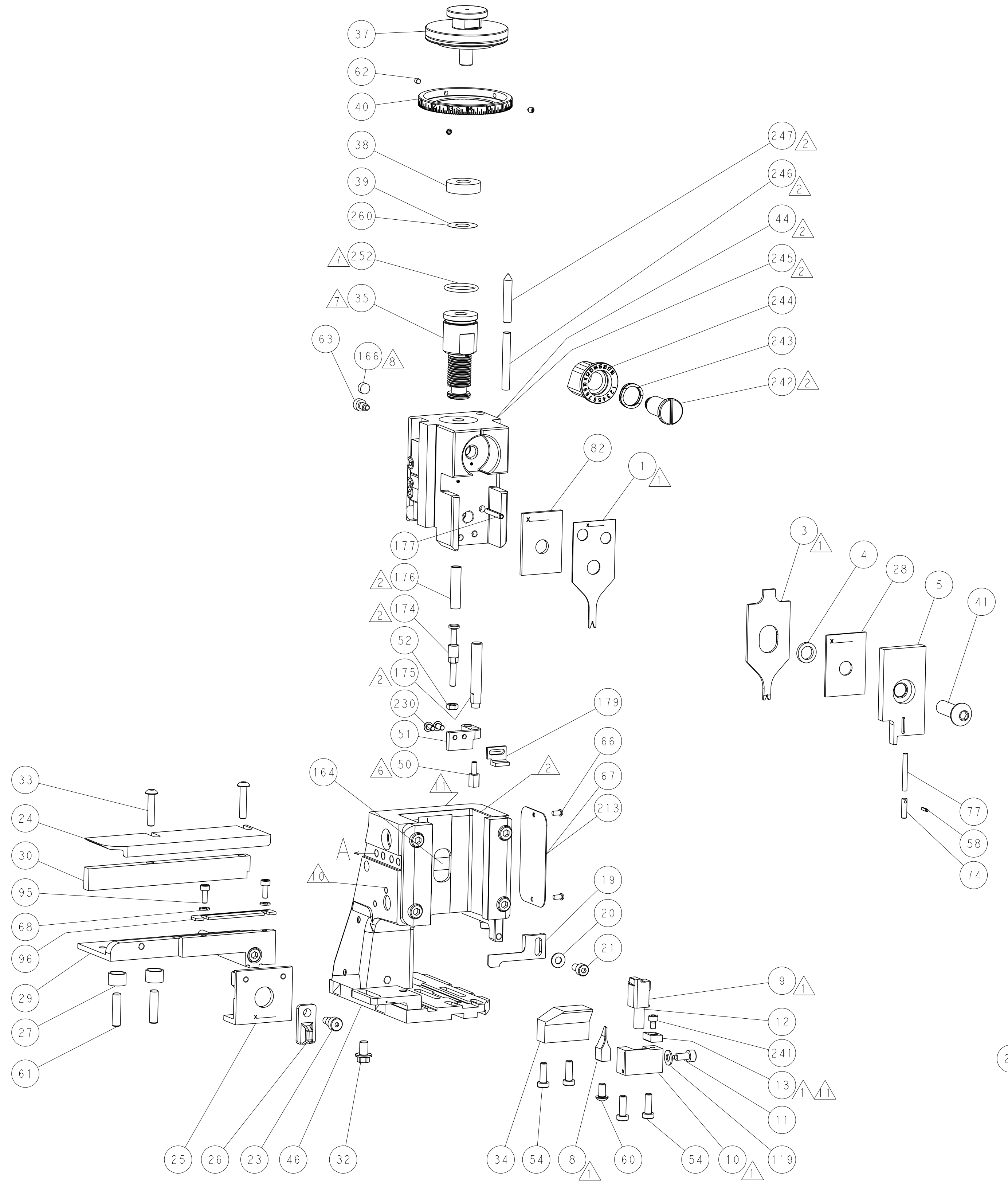
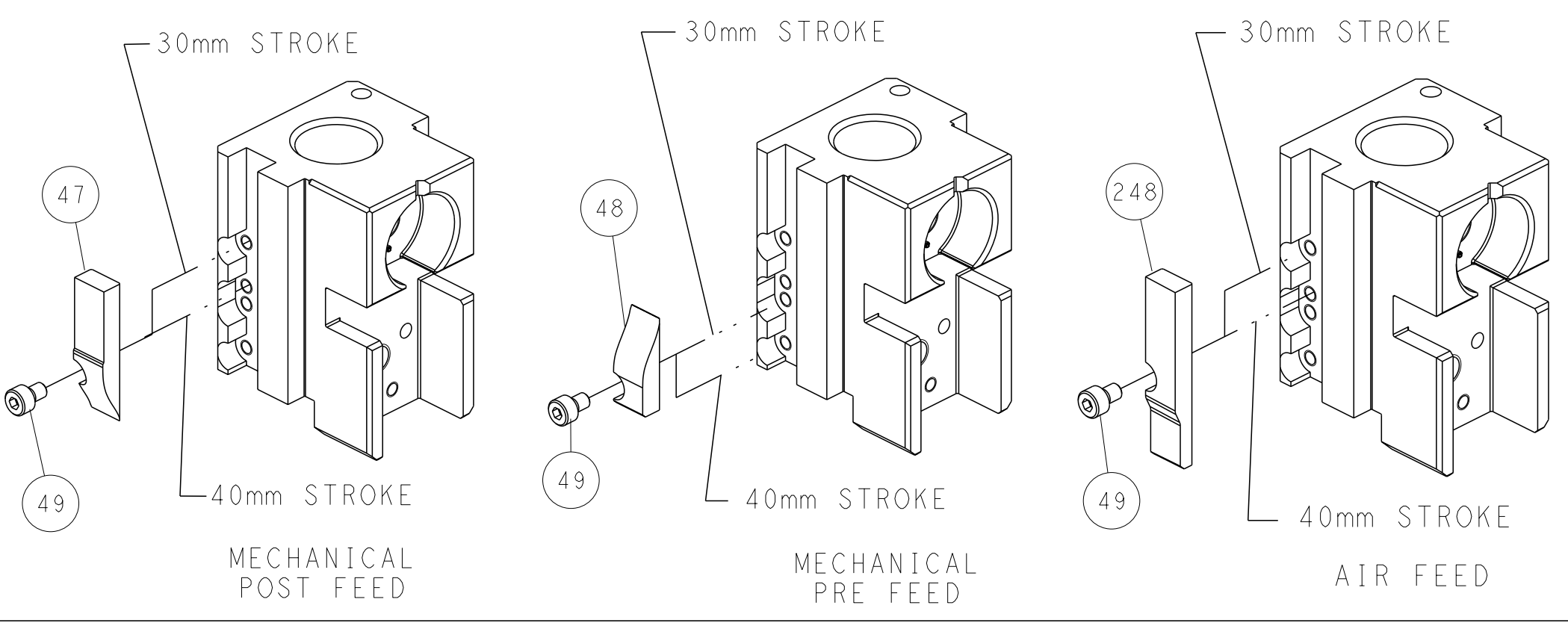
PNEUMATIC



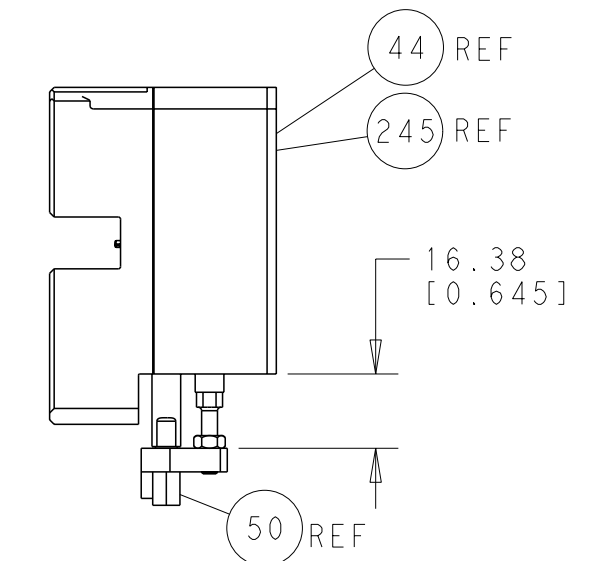
SERVO LATCH PLATE



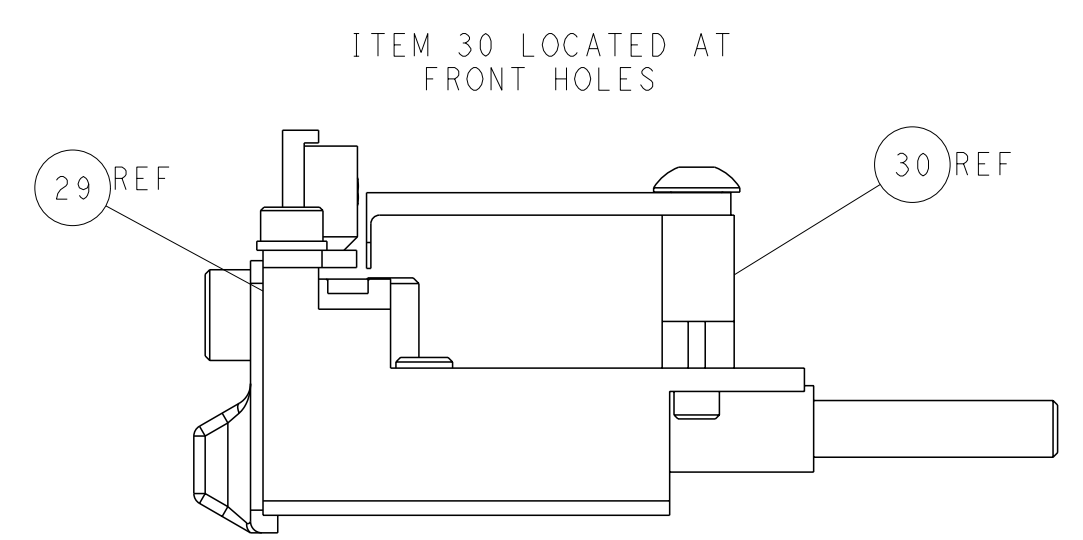
CAM POSITIONS



TERMINAL SUPPORT LOCATION



HOLDDOWN SET-UP



FEED TRACK POSITION GUIDE BY INSULATION BARREL

ATLANTIC VERSION
 Shown on sheets 1 of 4 & 2 of 4
 (Pacific version shown on sheets 3 of 4 & 4 of 4)

DIMENSIONS: mm TOLERANCES UNLESS OTHERWISE SPECIFIED: 9 PLC ±0.5 1 PLC ±0.13 3 PLC ±0.013 4 PLC ±0.001 ANGLES ±0.0001		DWN G. HOFFNER 14JAN2011 CHK G. BAILEY 18JAN2011 APVD J. CRUZ 18JAN2011		TE Connectivity Harrisburg, PA 17105-3608	
MATERIAL: - FINISH: -		NAME: Ocean Side Feed Applicator SIZE: A1 CAGE CODE: 00779 DRAWING NO: C-2151005		RESTRICTED TO: - SCALE: 1:2 SHEET: 2 OF 4 REV: A1	

PACIFIC VERSION TERMINATOR INTERFACE ADAPTER	PART NUMBER	REVISION	DESCRIPTION	FEED TYPE	APPLICATOR STYLE CONVERSION CHART						
					CONVERT TO	PART NUMBERS REQUIRED					
	2-2151005-1	A	FINE CRIMP HEIGHT ADJUST	MECHANICAL	PNEUMATIC FEED	2119950-1	1338685-1	5-18022-5	2119641-2	2119799-1	2063440-1
					SERVO LATCH PLATE	2119951-1	-	8-2151005-5	1901094-3	-	2168400-6 (QUANTITY 2)
					SMART APPLICATOR	2161326-1	-	8-2151005-4	-	-	
	2-2151005-2	A	FINE CRIMP HEIGHT ADJUST	PNEUMATIC	MECHANICAL FEED	2119949-1	1338685-1	5-18022-5	2119653-2	-	-
					SERVO LATCH PLATE	2119951-1	-	8-2151005-5	1901094-3	-	2168400-6 (QUANTITY 2)
					SMART APPLICATOR	2161326-1	-	8-2151005-4	-	-	
	2-2151005-5	A	FINE CRIMP HEIGHT ADJUST	SERVO LATCH PLATE	MECHANICAL FEED	2119949-1	1338685-1	5-18022-5	2119653-2	-	-
					PNEUMATIC FEED	2119950-1	1338685-1	5-18022-5	2119641-2	2119799-1	2063440-1
	2-2151005-7	A	FINE CRIMP HEIGHT ADJUST	NONE	-	-	-	-	-	-	-
	7-2151005-7	A	CRIMP TOOLING KIT	-	-	-	-	-	-	-	-

APPLICATOR DATA		
CRIMP WIRE	SIZE	TYPE
INSUL	0.69 mm [.027]	F
	0.76 mm [.030]	F
APPLICATOR INSTRUCTIONS 408-10389		

TERMINAL DATA: TE TERMINAL		TE CRIMP SPEC
TERMINAL NAME: 1.0 mm PITCH WIRE TO BOARD CONNECTOR		
WIRE STRIP LENGTH 1.00-1.20 mm [.039-.047 IN]		INSULATION DIAMETER RANGE Ø0.40-0.80 mm [.016-.031 IN]
TERMINAL APPLICATION SPECIFICATION 114-57020	-	-
TERMINALS APPLIED		
TE TERMINAL	TE TERMINAL	TE TERMINAL
1734597-1		

WIRE SIZE	CRIMP HEIGHT mm [INCH]	CRIMP HEIGHT REFERENCE SETTING
28 AWG	0.46 +/- 0.02 [.018 +/- .001]	11.5
30 AWG	0.42 +/- 0.02 [.017 +/- .001]	11.8
32 AWG	0.41 +/- 0.02 [.016 +/- .001]	12.0

- RECOMMENDED SPARE PARTS
- GREASE BEARING SURFACES LIGHTLY
- 3. LUBRICATE DAILY PER THE APPLICATOR INSTRUCTION SHEET SUPPLIED WITH THE APPLICATOR.
- APPLICATOR SPECIFIC DATA TO BE ENTERED INTO BLANK MEMORY CHIP AT ASSEMBLY. SEE BELOW FOR PART NUMBER:
MECHANICAL FEED WITH "SMART APPLICATOR" CONVERSION: 8-2151005-4
PNEUMATIC FEED WITH "SMART APPLICATOR" CONVERSION: 8-2151005-4
SERVO FEED WITH "FINE CRIMP HEIGHT ADJUST": 8-2151005-5
- 5. ADJUSTMENT OF THE STRIPPER MAY BE REQUIRED WHEN MOVING THE APPLICATOR BETWEEN BENCH AND LEADMAKER APPLICATIONS.
- APPLY PART NUMBER 1-23419-5 LOCTITE TO THREADS OF ITEM 50.
- GREASE THREADS, GROOVE AND O-RING ON ITEMS 139 & 152.
- MAGNET MUST BE ORIENTED CORRECTLY IN ORDER TO PROPERLY ACTUATE THE COUNTER.
- CRIMP HEIGHT REFERENCE SETTING WAS THE SETTING USED WHEN THE APPLICATOR WAS QUALIFIED AT THE FACTORY. ADJUSTMENT MAY BE NECESSARY WHEN RUNNING APPLICATOR IN THE FIELD.
- SPARE FEED CAM STORAGE LOCATION REFER TO INSTRUCTION SHEET FOR ADDITIONAL INFORMATION.
- TO CONVERT THE APPLICATOR TO A NON-CARRIER CUTTING STYLE, REMOVE ITEM 13 AND ATTACH TO THE LOCATION ON BACK SIDE OF THE HOUSING. REFER TO INSTRUCTION SHEET FOR ADDITIONAL INFORMATION.

*WARNING
ON INSTALLATION, SET WIRE DISC, ITEM 40 TO LARGEST WIRE SIZE SETTING. USE OF SETTINGS BELOW MINIMUM REQUIRED CRIMP HEIGHT SETTING WILL CAUSE DAMAGE TO CRIMP TOOLING.

SUPERCEDED BY 2-2151497-7
 SUPERCEDED BY 2-2151497-5
 SUPERCEDED BY 2-2151497-2
 SUPERCEDED BY 2-2151497-1

-77	-27	-25	-22	-21	PART NO	DESCRIPTION	ITEM NO
-	-	-	-	-	2119782-1	FINE ADJUST HEAD ASM, PACIFIC STYLE	251
-	-	-	-	-	2119640-1	PUSH ROD, AIR FEED	250
-	-	-	-	-	2079988-1	BUSHING, LCH5-12, MISUMI	249
-	-	-	-	-	1-22279-3	SPRING, COMPRESSION	246
-	-	-	-	-	2119082-9	CAM, SNAIL, INSULATION ADJUSTMENT	244
-	-	-	-	-	2079764-1	WASHER, WAVE SPRING, CREST-TO-CREST	243
-	-	-	-	-	2119083-1	RETAINER, INSULATION DIAL	242
-	-	-	-	-	18023-1	SCR, SKT HD CAP M3 X 5.0	241
-	-	-	-	-	2168400-6	SHCS, LOW HEAD, RoHS, M5 X 16	240
-	-	-	-	-	2119580-1	MECHANICAL FEED ASSEMBLY	239
-	-	-	-	-	2063440-1	AIR FEED MODULE	238
-	-	-	-	-	1-2079383-0	SCR, BHSC, RoHS (M3 X 6)	230
-	-	-	-	-	2119740-2	TAG, IDENTIFICATION	213

PACIFIC VERSION
 Shown on sheets 3 of 4 & 4 of 4
 (Atlantic version shown on sheets 1 of 4 & 2 of 4)

SET UP GAUGE	LOC	DIST	REVISIONS		
2119599-1	A	66			
P	LT#	DESCRIPTION	DATE	OWN	APVD
-	-	SEE SHEET 1	-	-	-

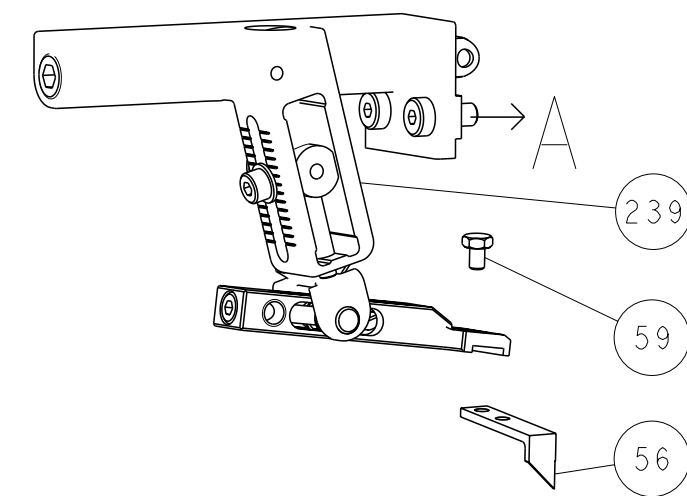
-	-	-	-	-	1901094-3	SPACER, FEEDER	198
-	-	-	-	-	2-1976053-3	LOCATER BLOCK, TERMINAL	179
-	-	-	-	-	993111-1	PIN, SLOTTED SPRING 3.0 X 20.0	177
-	-	-	-	-	8-22280-7	SPRING, COMPRESSION	176
-	-	-	-	-	1752353-2	GUIDE PIN, HOLDDOWN	175
-	-	-	-	-	1901680-2	GUIDE PIN, HOLDDOWN	174
-	-	-	-	-	21045-3	RING, RETAIN, EXTERN, 3/16 CRESCENT	172
-	-	-	-	-	994969-1	MAGNET, RARE EARTH HIGH ENERGY	166
-	REF	REF	REF	REF	994970-2	COUNTER, MAGNETIC	164
-	-	-	-	-	240638-1	SPRING, FEED FINGER	163
-	-	-	-	-	8-21084-1	O-RING, .801 ID, .070 DIA. MAT.	152
-	-	-	-	-	2119641-2	FEED CAM, AIR FEED	151
-	-	-	-	-	2119798-2	DETENT PIN	145
-	-	-	-	-	2079383-8	SCR, BHSC, RoHS (M4 X 16)	144
-	-	-	-	-	2168400-5	SHCS, LOW HEAD, RoHS, M4 X 20	143
-	-	-	-	-	2119653-2	FEED CAM, POST FEED	142
-	-	-	-	-	1-2119656-0	APPLICATOR BASIC ASSEMBLY, SF	141
-	-	-	-	-	2119650-1	RAM, ASIAN STYLE, SIDE FEED	140
-	-	-	-	-	2119092-2	BOLT, ADJUSTMENT	139
-	-	-	-	-	3-23627-7	PIN, RETAIN, GRVD, 3/16 X .854	137
-	-	-	-	-	2119799-1	HOLDER, FEED FINGER, AF	136
-	-	REF	-	-	SEE NOTE 4	MEMORY CHIP, PROGRAMMED	135
-	-	-	-	-	1633743-1	SERVO FEED LATCH ASM	133
-	-	-	-	-	1-18028-2	WASHER, FLAT, REG M4	119
-	-	REF	-	-	2119944-1	FEED FINGER ASSEMBLY, SF	117
-	-	-	-	-	690438-1	FRONT STRIP GUIDE	96
-	-	-	-	-	2168083-1	SCR, SKT HD CAP, RoHS, M3 X 8.0	95
-	-	-	-	-	2-455888-0	SPACER, CRIMPER	82
-	-	-	-	-	5-547505-2	SPRING, COMPRESSION	77
-	-	-	-	-	854769-4	HOLDER, INS	74
-	-	-	-	-	2119956-1	DOCUMENTATION PACKAGE	71
-	-	-	-	-	18026-1	WASHER, SPRG LOCK, REG M3	68
-	-	-	-	-	2119740-1	TAG, IDENTIFICATION	67
-	-	-	-	-	2168078-1	SCREW, DRIVE, RH, RoHS	66
-	-	-	-	-	2119793-1	LIMITER, ADJUSTMENT BOLT	63
-	-	-	-	-	992763-5	SCR, SET, SOC, CONE POINT, M3 x 4.0	62
-	-	-	-	-	2-18032-5	SCR, SET, FLT POINT M5 X 20.0	61
-	-	-	-	-	5-18022-5	SCR, HEX HD CAP, M4 X 6.0	59
-	-	-	-	-	21028-2	PIN, SLOTTED SPRING .062 X .250	58
-	-	-	-	-	1338685-1	PAWL, FEED	56
-	-	-	-	-	1-5018030-0	NUT, HEX, REG, RoHS, M3.5	52
-	-	-	-	-	1901681-4	HOLDDOWN, TERMINAL	51
-	-	-	-	-	1-1752354-4	STANDOFF, HOLD-DOWN	50
-	-	-	-	-	18023-9	SCR, SKT HD CAP M4 X 6.0	49
-	-	-	-	-	2119652-1	FEED CAM, PRE FEED	48
-	-	-	-	-	2079383-7	SCR, BHSC, RoHS (M8 X 25)	41
-	-	-	-	-	2119645-1	DISC, NUMBERED FA WIRE ADJUSTMENT	40
-	-	-	-	-	2119957-1	APPLICATOR SHIM PACK	39
-	-	-	-	-	1-2119644-1	RAM WASHER, PRECISION	38
-	-	-	-	-	2-1752356-5	SUPPORT, TERMINAL	34
-	-	-	-	-	2079383-5	SCR, BHSC, RoHS (M4 X 20)	33
-	-	-	-	-	2161328-1	HEX HEAD, FLANGED, M5 X 8mm LONG	32
-	-	-	-	-	1320908-2	SPACER, STRIP GUIDE	30
-	-	-	-	-	2119959-3	ASSEMBLY, STRIP GUIDE	29
-	-	-	-	-	1-455888-0	SPACER, CRIMPER	28
-	-	-	-	-	22283-1	SPRING, COMPRESSION	27
-	-	-	-	-	356835-1	LEVER, DRAG RELEASE	26
-	-	-	-	-	679754-1	STOCK DRAG ASSEMBLY	25
-	-	-	-	-	1320928-2	PLATE, STRIP GUIDE	24
-	-	-	-	-	980371-4	SCR, SKT HD SHLDR 5.0 DIA X 6.0	23
-	-	-	-	-	2168083-2	SCR, SKT HD CAP, RoHS, M4 X 8.0	21
-	-	-	-	-	1-18028-2	WASHER, FLAT, REG M4	20
-	-	-	-	-	2119533-3	STRIPPER, SIDE FEED	19
-	-	-	-	-	2119806-1	INSERT, SHEAR	13
-	-	-	-	-	3-22280-3	SPRING, COMPRESSION	12
-	-	-	-	-	1-356885-4	STOP, SHEAR	11
-	-	-	-	-	2119805-1	SHEAR HOLDER, FRONT	10
-	-	-	-	-	1633861-1	SHEAR, FLOATING	9
-	-	-	-	-	3-1633711-7	ANVIL, COMBINATION	8
-	-	-	-	-	2119780-1	DEPRESSOR, SHEAR	5
-	-	-	-	-	238011-7	BLOCK, CRIMPER SPACER	4
-	-	-	-	-	1633962-1	CRIMPER, INSULATION F PREMIUM	3
-	-	-	-	-	1-1633713-8	CRIMPER, WIRE PREMIUM	1

APPROVED	DATE	APPROVED	DATE	NAME
	14JAN2011		18JAN2011	G. BALLEY
	18JAN2011			I. CRUZ

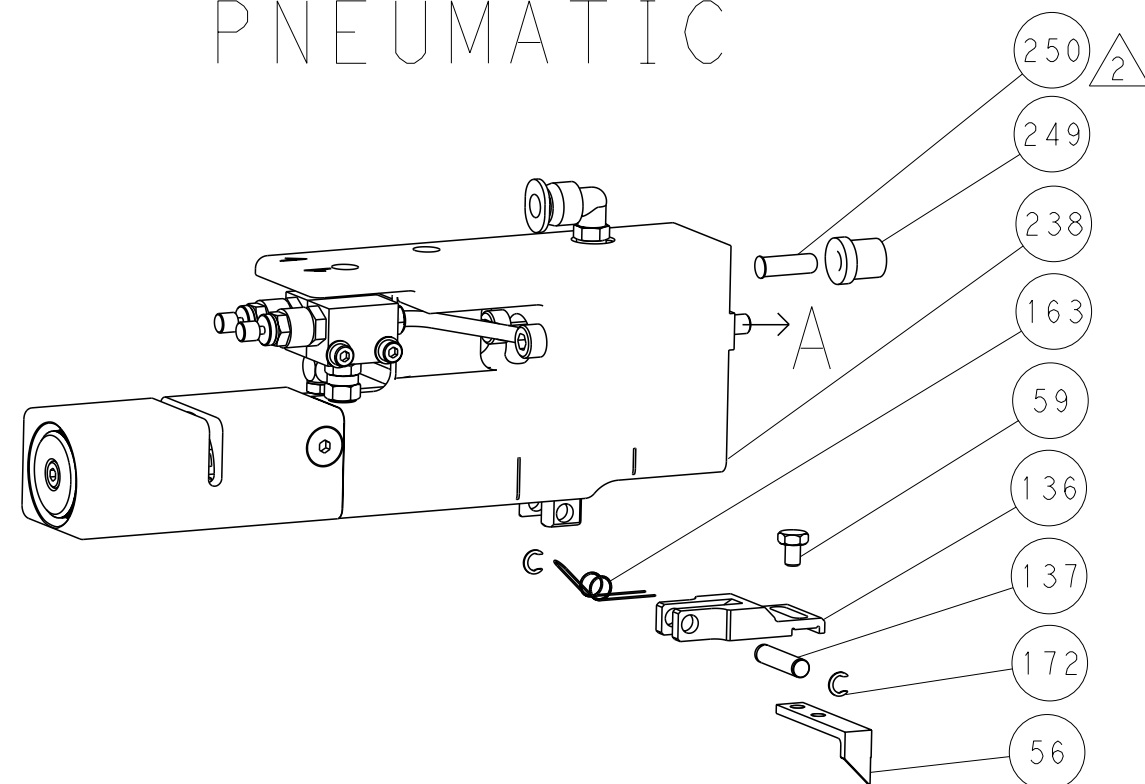
DIMENSIONS: mm				TOLERANCES UNLESS OTHERWISE SPECIFIED:		DWG NO. 14JAN2011		TE Connectivity Harrisburg, PA 17105-3608	
		0 PLC ±.5 1 PLC ±0.5 3 PLC ±0.13 5 PLC ±0.013 4 PLC ±0.0001		APPLICATOR SPEC		NAME Ocean Side Feed Applicator		RESTRICTED TO	
MATERIAL		FINISH		WEIGHT		SCALE 1:2		SHEET 3 of 4	
CUSTOMER ACCESSIBLE PRODUCTION DRAWING						REV A1			

LOC	DIST	REV	DATE	DESCRIPTION	DATE	DWN	APVD
A	66			SEE SHEET 1			

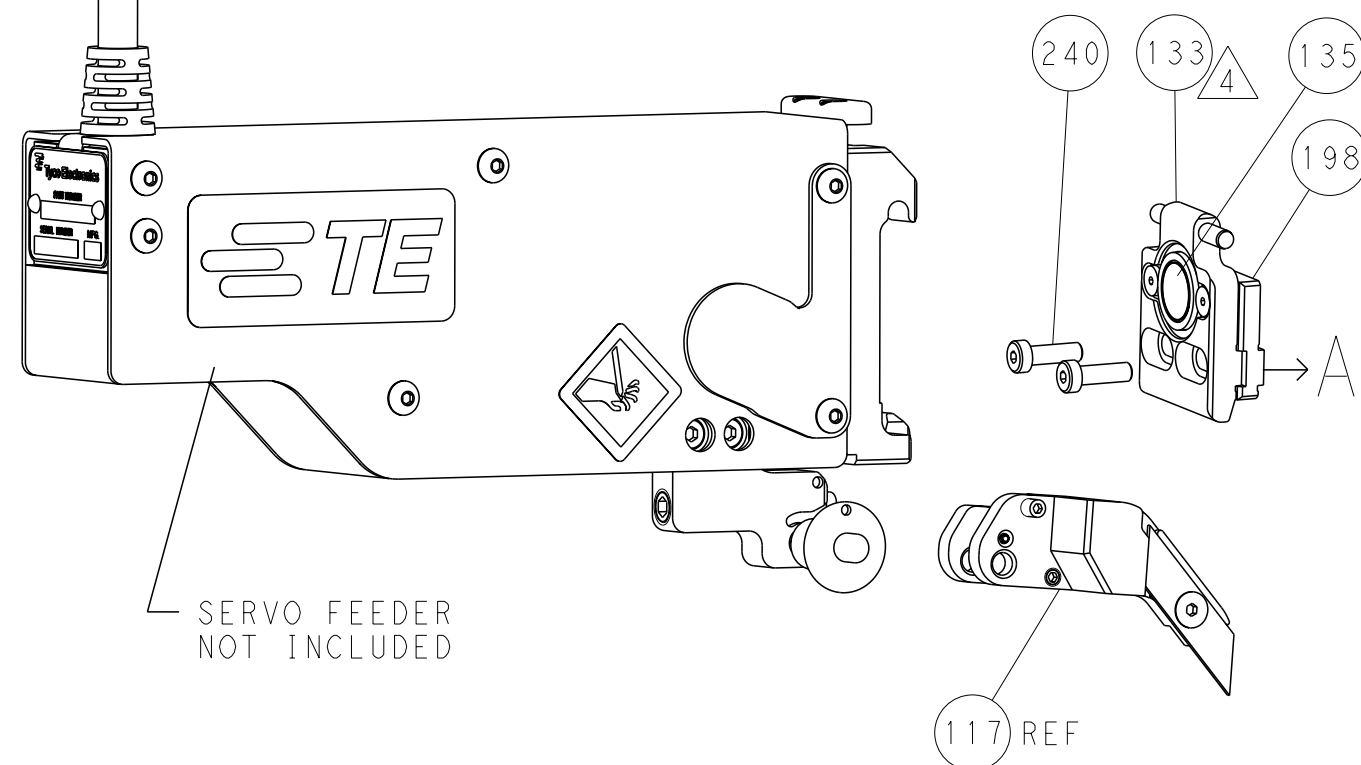
FEED TYPE MECHANICAL



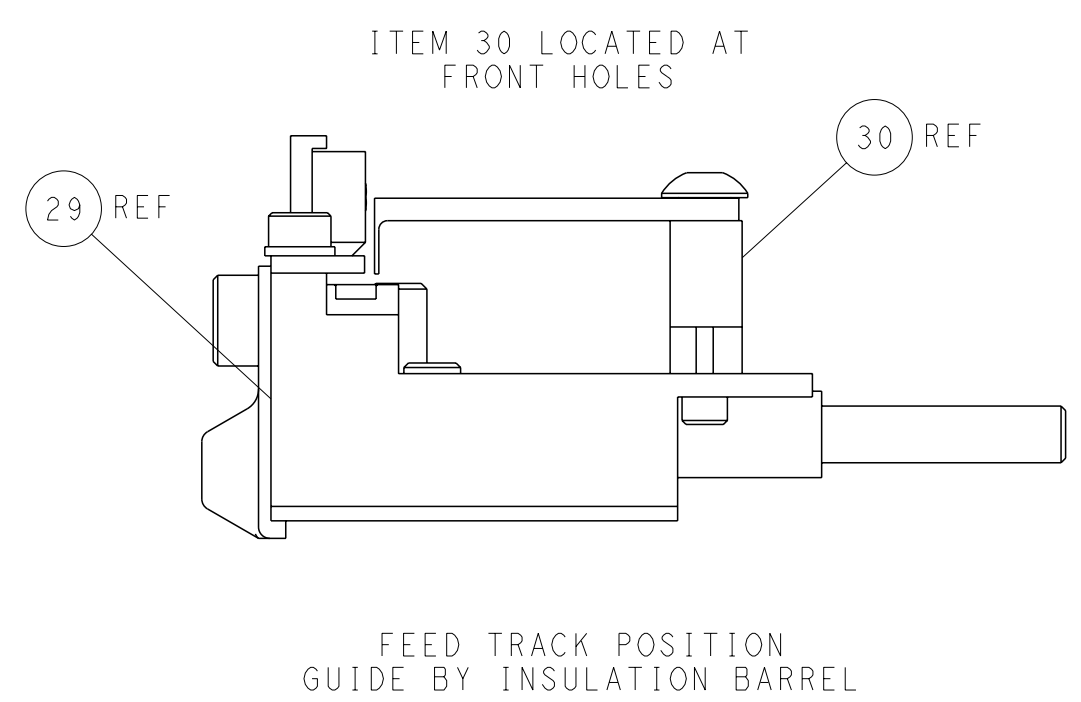
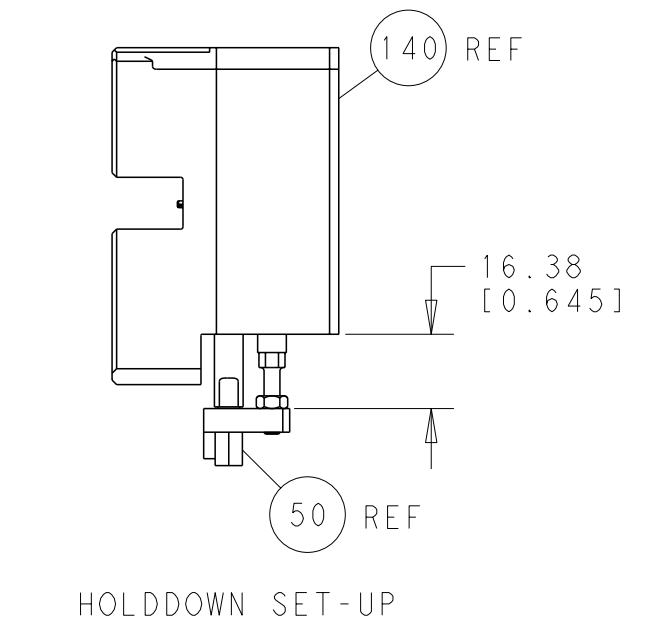
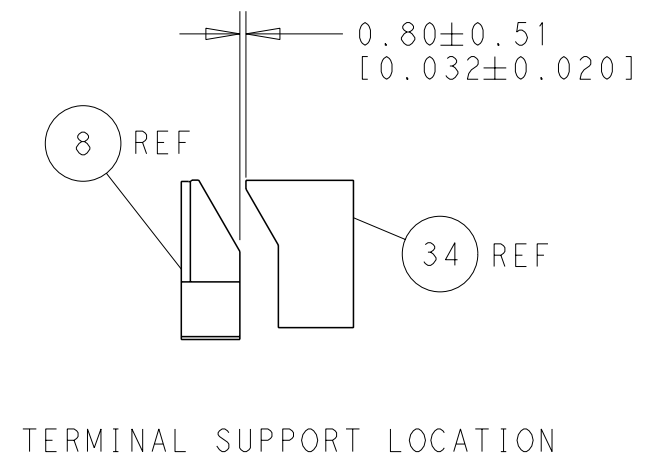
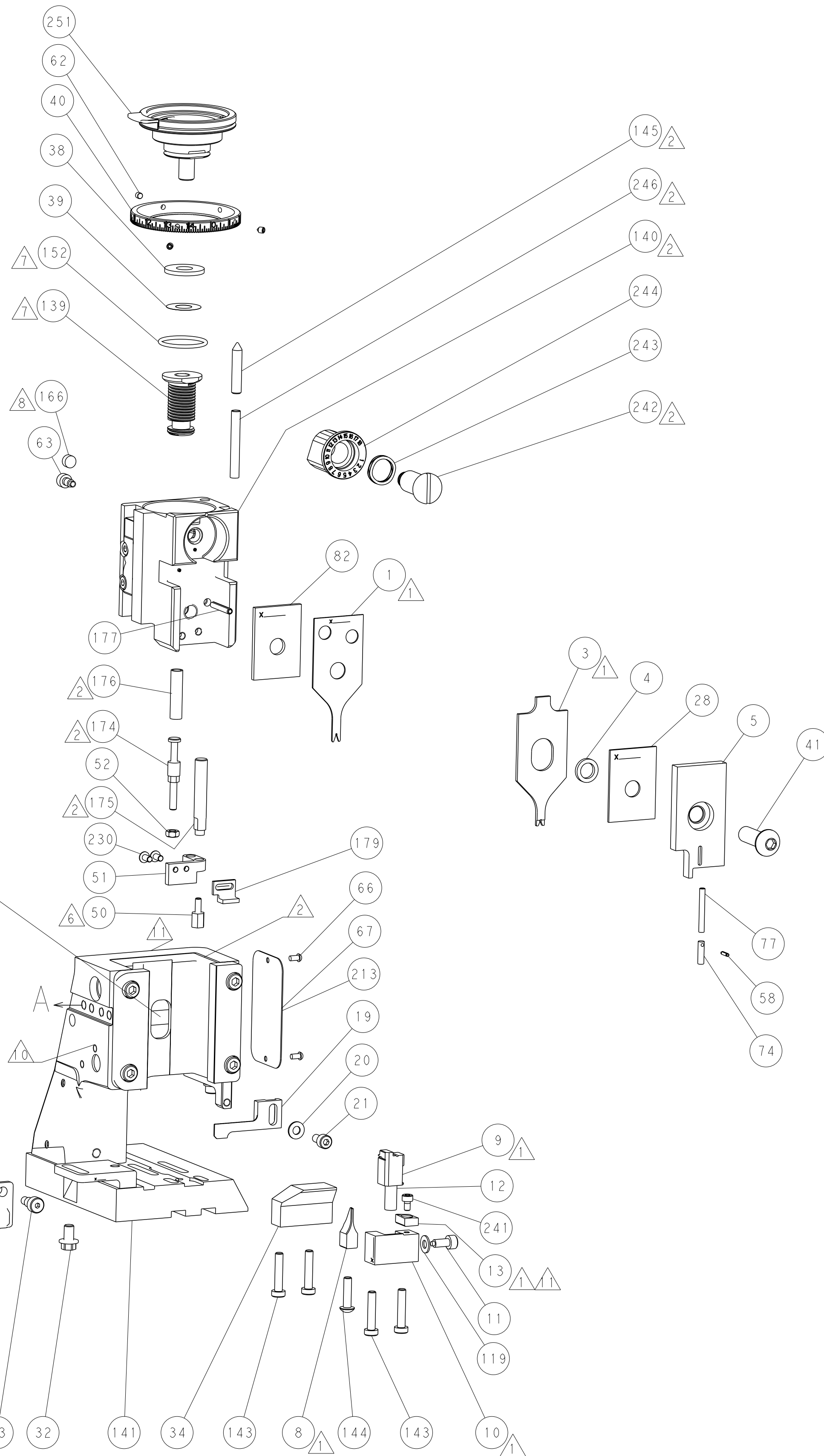
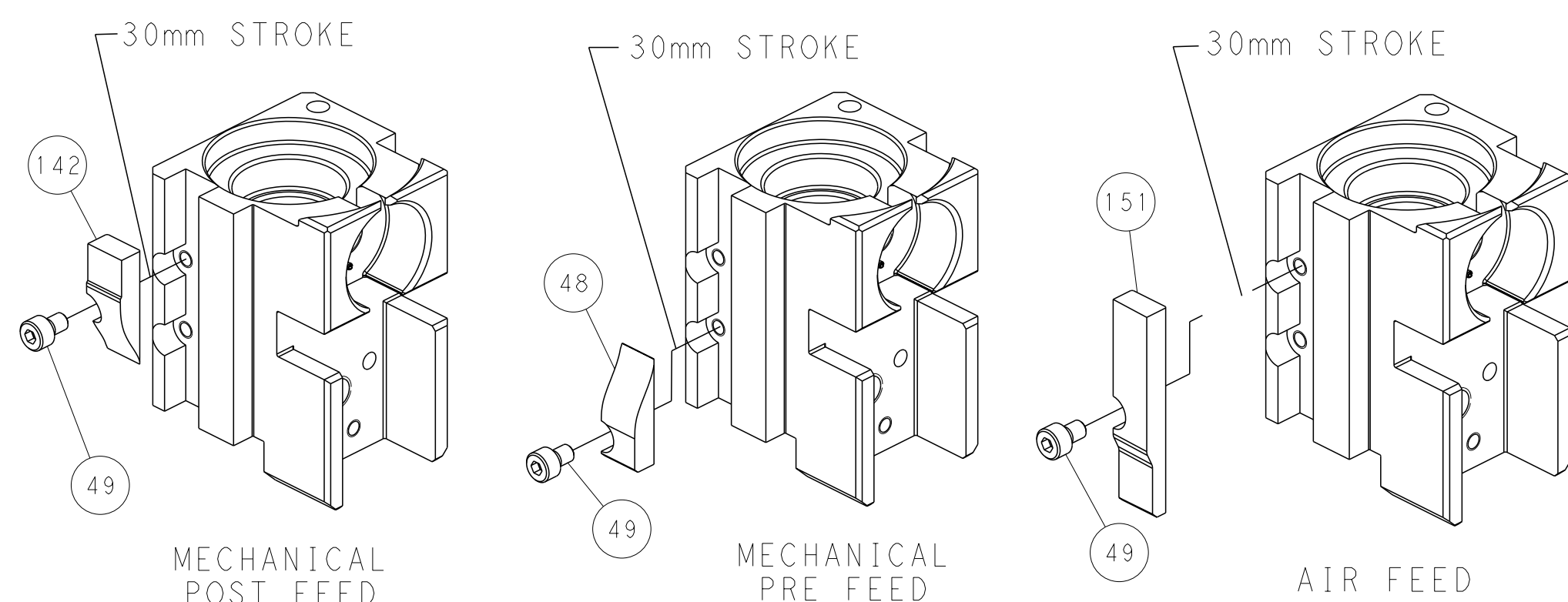
PNEUMATIC



SERVO LATCH PLATE



CAM POSITIONS



PACIFIC VERSION
 Shown on sheets 3 of 4 & 4 of 4
 (Atlantic version shown on sheets 1 of 4 & 2 of 4)

<small>THIS DRAWING IS UNPUBLISHED. RELEASED FOR PUBLICATION. ALL RIGHTS RESERVED. THIS DRAWING IS UNPUBLISHED. RELEASED FOR PUBLICATION. ALL RIGHTS RESERVED. THIS DRAWING IS UNPUBLISHED. RELEASED FOR PUBLICATION. ALL RIGHTS RESERVED.</small>		DWN: G. HOFFNER 14JAN2011 CHK: G. BAILEY 18JAN2011 APVD: J. CRUZ 18JAN2011	TE Connectivity Harrisburg, PA 17105-3608
DIMENSIONS: mm TOLERANCES UNLESS OTHERWISE SPECIFIED: 9 PLC ±.5 1 PLC ±0.5 2 PLC ±0.13 3 PLC ±0.013 4 PLC ±0.001 ANGLES FINISH ±.		NAME: Ocean Side Feed Applicator PRODUCT SPEC: APPLICATION SPEC: WEIGHT: CUSTOMER ACCESSIBLE PRODUCTION DRAWING	SIZE: A1 CAGE CODE: 00779 DRAWING NO: C-2151005 SCALE: 1:2 SHEET: 4 OF 4 REV: A1