
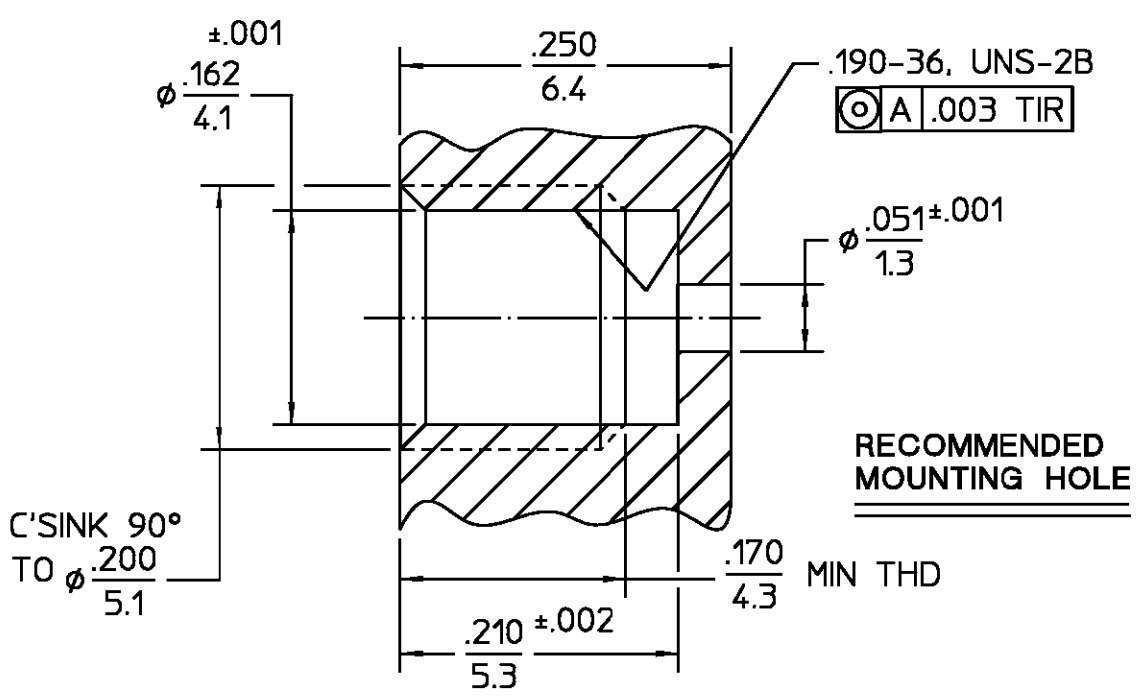
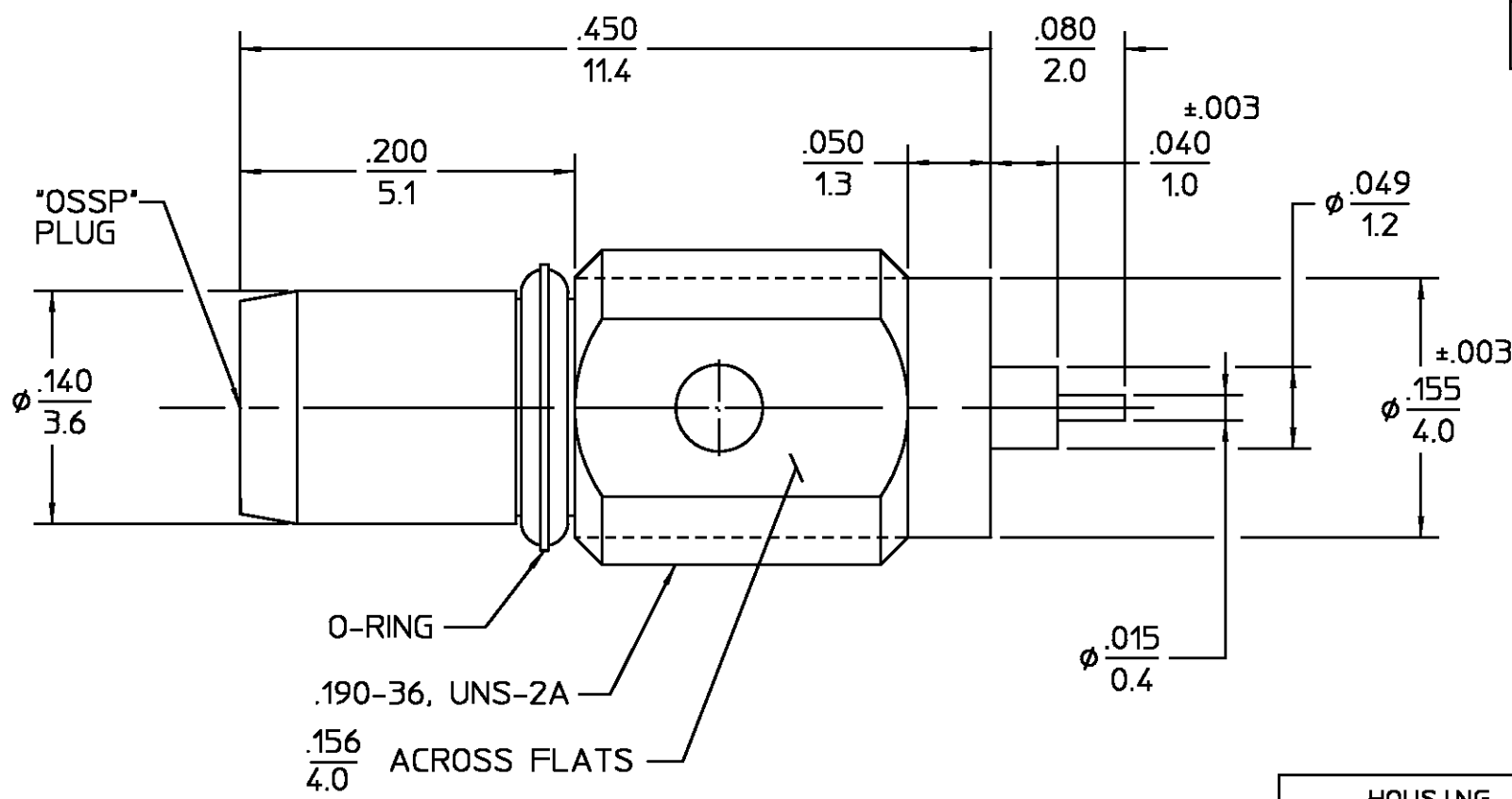


REVISIONS			
REV	DESCRIPTION	DATE	APPROVED
01 ₄	REVISED	KYLE 7-25-97	 8/5/97




ELECTRICAL
Nominal Impedance (Ohms) <u>50</u>
Frequency Range (GHz) DC to <u>28.0</u>
Volt Rating (VRMS MAX) @ Sea Level <u>250</u>
VSWR <u>1.33:1 @ 28.0 GHz</u> <u>1.05 + .001f(GHz)</u>
Insertion Loss (dB MAX) <u>.04 √f(GHz)</u>
RF Leakage (dB MIN) <u>-[60-f(GHz)]</u>
Corona, 70,000 Ft (VRMS MIN) <u>250</u>
Dielectric Withstanding Voltage (VRMS MIN) @ Sea Level <u>675</u>
Contact Resistance (Milliohms MAX) Center Contact <u>6.0</u> Outer Contact <u>3.0</u>
RF High Potential @ Sea Level (VRMS MIN @ 5 MHz) <u>675</u>
LR.(Megohms MIN) <u>5,000</u>

MECHANICAL
Interface Dimensions PER <u>M/A-COM CATALOG</u>
Mating Characteristics: Insertion (MAX Lbs) <u>2.0</u> Withdrawal (MIN Oz) <u>0.5</u>
Force to Engage and Disengage (In-Lbs MAX) <u>0.4</u>
Center Contact Captivation Axial (Lbs) <u>4.0</u>

ENVIRONMENTAL
Temperature Rating <u>-65° TO +125°C</u>
Vibration MIL-STD-202, Method 204, Condition D
Shock MIL-STD-202, Method 213, Condition I
Thermal Shock MIL-STD-202, Method 107, Condition B
Moisture Resistance MIL-STD-202, Method 106
Corrosion - MIL-STD-202, Method 101, Condition B, 5% salt spray
 <u>.XXX = in</u> <u>XX.X = mm (REF)</u>

COMPONENT	MATERIAL	FINISH
HOUSING	STAINLESS STEEL PER ASTM-A484 AND ASTM- A582, TYPE 303	PASSIVATE PER QQ-P-35
DIELECTRIC	PTFE FLUOROCARBON PER ASTM-D-1457	N/A
CENTER CONTACT	BERYLLIUM COPPER PER ASTM-B-196 OR ASTM-B-197, ALLOY C17300, CONDITION H	GOLD PLATE PER MIL-G-45204
O-RING	FLUOROSILICONE 60 (DUROMETER) PER MIL-P-25988, CLASS 1, TYPE 1	N/A

UNLESS OTHERWISE SPECIFIED DIMENSIONS ARE IN INCHES		DRAWN BY PCV		DATE 9-15-86		AMP Incorporated		
FRAC. DEC. ANGLES ± 1/64 ±.005 ± 1°		CHECKED BY MH/M		10-1-86		140 Fourth Avenue Waltham, MA 02451-7599		
		APPD BY PCV		10-20-86				
These drawings and specifications are the property of M/A COM Interconnect Div. and shall not be reproduced or copied or used in whole or in part as the basis for the manufacture or sale of item(s) without written permission.			USE ASSY PROCEDURE		TITLE 'OSSP' PANEL FEEDTHRU PLUG RECEPTACLE- STRAIGHT TERMINAL			
			NO. A.P. <u>47-014</u>		SIZE B	CODE IDENT NO. 26805	4757-5006-02	REV 01 ₄
					SCALE 10:1			SHEET 1 OF 1

CUSTOMER DRAWING

AMP PART # 1059903-1
SHEET 1 OF 1 REV B
PER EC # 0U20-0261-01