

Linear/Saturating Choke



Approvals and Compliances

**Description**

- Linear/saturating choke
- THT-terminals
- Low noise development by using iron powder toroids instead of conventional iron lamination cores
- Flange for mounting onto printed circuit board
- Fully potted resign

**Applications**

- Phase angle control circuits with thyristors, triacs or transistors
- The choke acts at its optimum when it is mounted directly at the interference originator (thyristor, triac)

**Weblinks**

[pdf datasheet](#), [html-datasheet](#), [General Product Information](#), [Distributor-Stock-Check](#), [Detailed request for product](#)

**Technical Data**

Rated voltage	up to 440 VAC	Isolation Voltage	2 kV eff., winding to ambient
Rated Current	5 - 45 A @ Ta 45 °C	Climatic Category	25/100/21 acc. to IEC 60068-1
Power Operating Frequency	50 Hz	Allowable Operation Temp.	-25 °C to 100 °C
Terminal Type	THT, Flexible wire		
Weight	144 - 1423 g		
Material: Housing	UL 94V-0		
Sealing Compound	UL 94V-0		

Approvals and Compliances

Detailed information on product approvals, code requirements, usage instructions and detailed test conditions can be looked up in [Details about Approvals](#)

**Application standards**

Application standards where the product can be used

Organization	Design	Standard	Description
	Designed for applications acc.	IEC/UL 60950	IEC 60950-1 includes the basic requirements for the safety of information technology equipment.

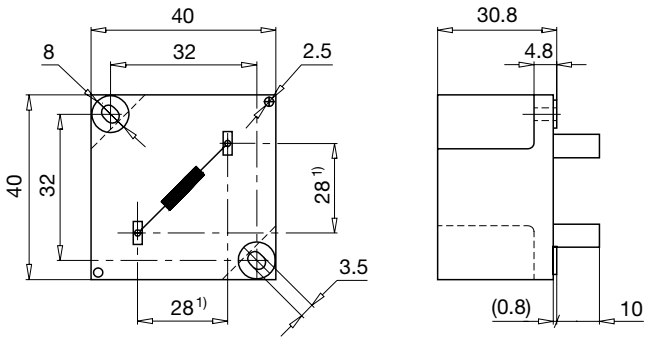
**Compliances**

The product complies with following Guide Lines

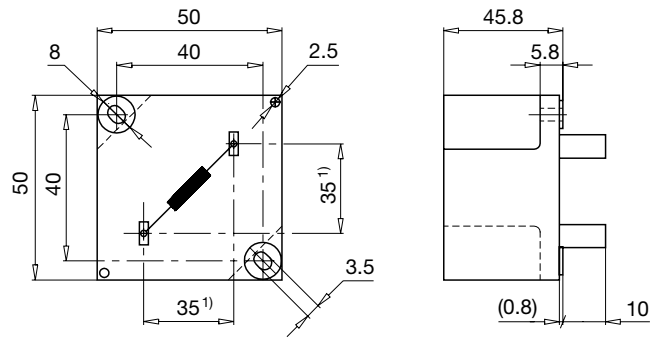
Identification	Details	Initiator	Description
	<a href="#">CE declaration of conformity</a>	SCHURTER AG	The CE marking declares that the product complies with the applicable requirements laid down in the harmonisation of Community legislation on its affixing in accordance with EU Regulation 765/2008.
	RoHS	SCHURTER AG	EU Directive RoHS 2011/65/EU
	China RoHS	SCHURTER AG	The law SJ / T 11363-2006 (China RoHS) has been in force since 1 March 2007. It is similar to the EU directive RoHS.
	REACH	SCHURTER AG	On 1 June 2007, Regulation (EC) No 1907/2006 on the Registration, Evaluation, Authorization and Restriction of Chemicals 1 (abbreviated as "REACH") entered into force.

**Dimension [mm]**

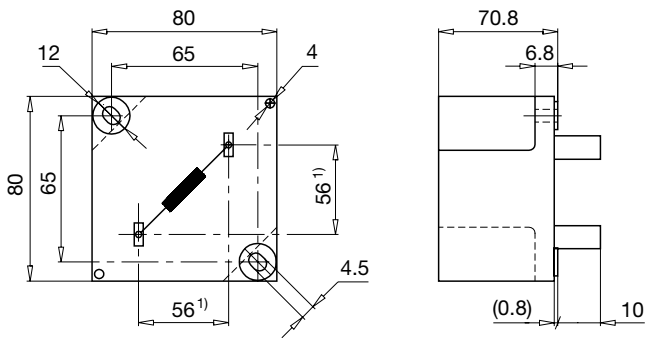
Case 25-P



Case 47-P

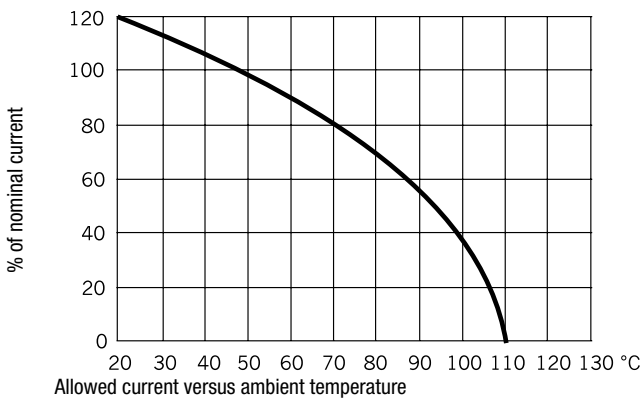


Case 32-P



1) Spacing given at pin base

**Derating Curves**



All Variants

$I_n$ [A]	$L_n$ [mH]	Inductance drop max [%]	$R_{cu}$ [mΩ]	Tripped Power Dissipation	$f_{RES}$ [MHz]	Cx [μF]	Copper ø [mm]	Weight [g]	Housings	Packing unit [pcs.]	Order Number
5	1	60	120	3	0.8	0.047	1	144 g	25-P	20	DLFL-0125-0501
8	0.5	60	54	3.5	1.32	0.1	1.25	154 g	25-P	20	DLFL-0125-08D5
45	0.2	70	6	12	1.1	1	5	1423 g	32-P	2	DLFL-0132-45D2
12	0.5	60	38	5.5	1.16	0.1	1.7	333 g	47-P	10	DLFL-0147-12D5
16	0.3	60	25	6.4	1.69	0.22	1.8	325 g	47-P	10	DLFL-0147-16D3
25	0.15	60	10	6.3	2.5	0.47	2.36	336 g	47-P	10	DLFL-0147-25D2
35	0.05	60	5.3	6.5	3.5	1.5	1.5 x 4.5	338 g	47-P	10	DLFL-0147-35C5

Most Popular.

Availability for all products can be searched real-time: <https://www.schurter.com/en/Stock-Check/Stock-Check-SCHURTER>

Inductance drop at  $I_n$