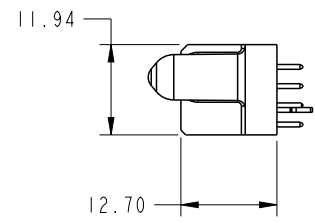
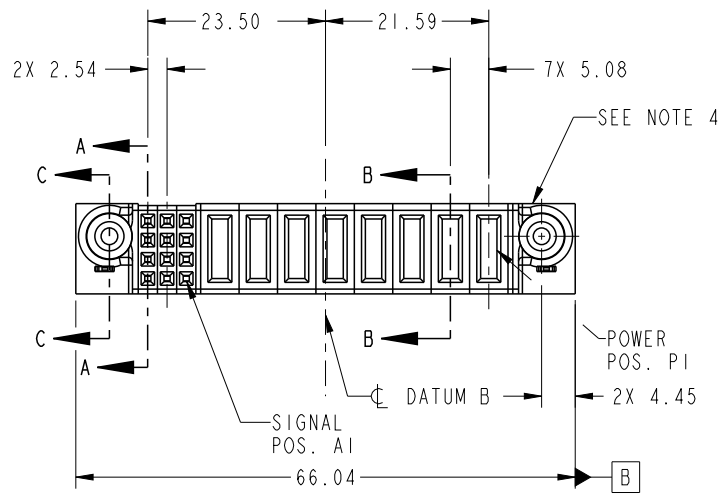


PRODUCT NO.	ROWS	SIGNAL								POWER				E1
		E2	3	2	1	P8	P7	P6	P5	P4	P3	P2	P1	
51940-397-- NOTE: 3	D C B A													



CODE	DIM "M" MATING LENGTH	CONTACT TYPE
E	[N/A]	SIGNAL
PA	[1.07]	POWER
HA	[N/A]	HOLD-DOWN

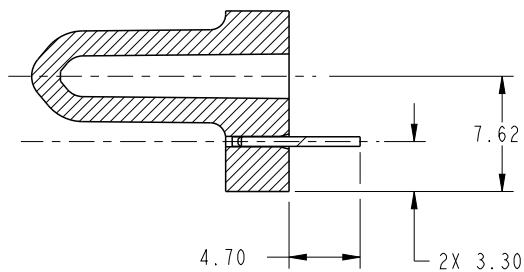
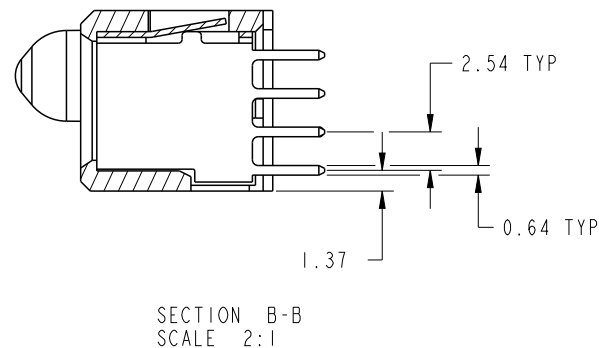
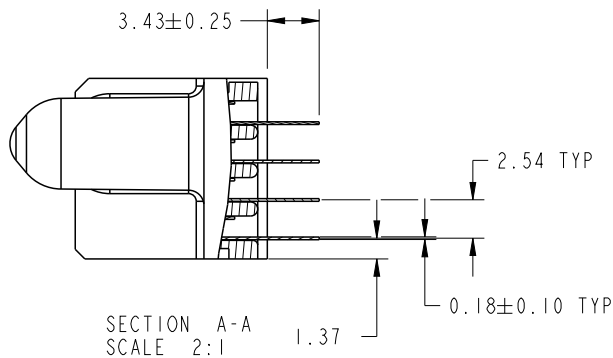
spec ref	SEE NOTES		dr	Guang, Shi	2011/07/18	projection 	MM ←→	size	A4	scale	1:1
tolerance std	TOLERANCES UNLESS OTHERWISE SPECIFIED		eng	Guang, Shi	2011/08/04			ecn no	-		
SEE NOTES			chr	-	-			rel level	Released		
surface	linear	0.X ±0.50	FCj www.fci.com	title			PwrBlade	51940-397	rev	A	
		0.XX ±0.25		8P + 12S							
		0.XXX ±0.10		VERTICAL STB RECEPT							
	angular	0° ±2°	cat. no.	Product - Customer Drw			sheet 1 of 4				



Copyright FCI.

PRODUCT NUMBER

51940-397:--



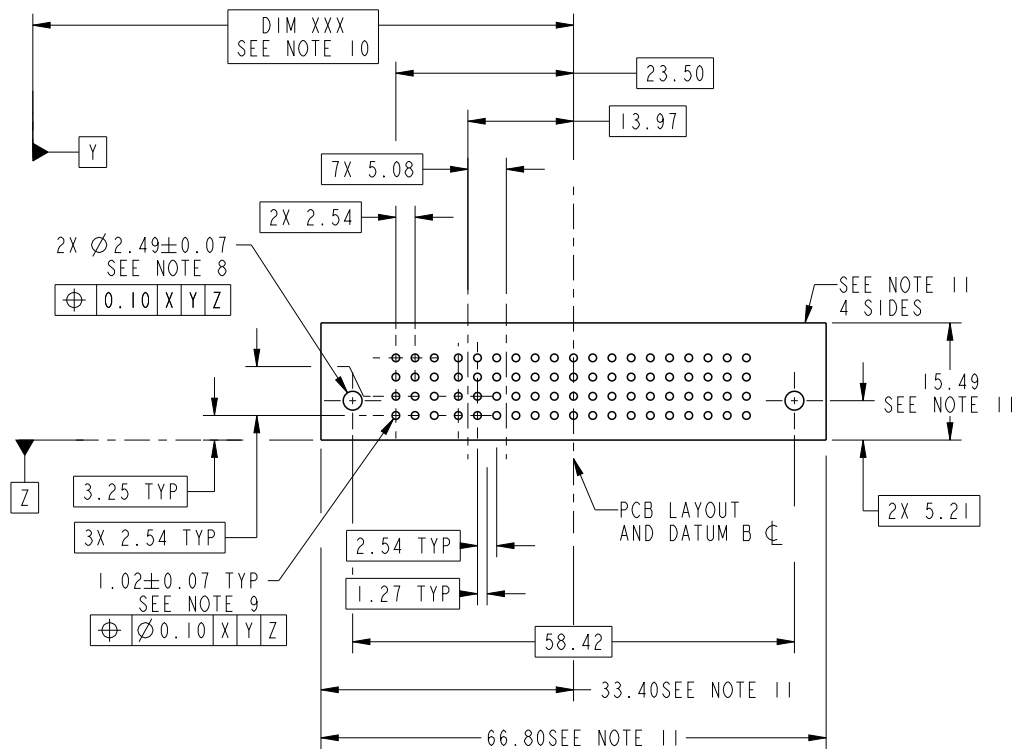
dr	Guang, Shi	2011/07/18	projection 	MM ←→	size	A4	scale	1:1	
eng	Guang, Shi	2011/08/04			ecn no	-			
chr	-	-			rel level	Released			
appr	Pei-Ming Zheng	2011/08/04	product family	PwrBlade					
		title	8P + 12S VERTICAL STB RECEIPT		dwg no	51940-397		rev	A
www.fci.com		cat. no.	Product - Customer Drw			sheet 2 of 4			



Copyright FCI.

PRODUCT NUMBER

51940-397:--



RECOMMENDED PCB LAYOUT

dr	Guang, Shi	2011/07/18	projection 	MM 	size	A4	scale	1:1	
eng	Guang, Shi	2011/08/04			ecn no	-			
chr	-	-			rel level	Released			
appr	Pei-Ming Zheng	2011/08/04	product family	PwrBlade					
	title			8P + 12S	dwg no		51940-397	rev	A
www.fci.com	cat. no.		Product - Customer Drw			sheet 3 of 4			



PRODUCT NUMBER

51940-397:--

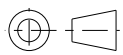
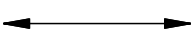

NOTES:

1. DIMENSIONS AND TOLERANCES ARE IN ACCORDANCE WITH ASME Y14.5M, 1994 UNLESS OTHERWISE SPECIFIED.

CONNECTOR NOTES:

- 2 HOUSING MATERIAL: UL 94 V-0 GLASS FILLED HIGH-TEMP THERMOPLASTIC  
POWER CONTACT MATERIAL: COPPER ALLOY  
SIGNAL PIN MATERIAL: COPPER ALLOY
- 3. SEE ITEM 5 & 6 IN PRINT 10064183 FOR PLATING SPEC OF 51940-397 AND 51940-397LF RESPECTIVELY.
- 4 MANUFACTURER'S NAME, DATE CODE AND OPTIONAL P/N TO APPEAR ON THIS SURFACE. THE P/N CAN BE OMITTED IF THERE IS NOT ENOUGH SPACE ON THIS SURFACE.
- 5. PRODUCT SPECIFICATION GS-12-149.  
APPLICATION SPECIFICATION BUS-20-067.
- 6. PACKAGED IN TRAYS.
- PCB NOTES:
- 7. ALL HOLE DIAMETERS ARE FINISHED HOLE SIZE.
- 8 MOUNTING HOLES, WHERE APPLICABLE, ARE UNPLATED.
- 9  $\varnothing 1.151 \pm 0.025$  DRILLED HOLES PLATED WITH  
0.008 MIN SnPb OR Sn OVER 0.03  
TO 0.08 Cu PLATING TO ACHIEVE  
 $\varnothing 1.02 \pm 0.07$  HOLE.
- 10 "DIM XXX" TO BE DETERMINED BY THE CUSTOMER.
- 11 CONNECTOR KEEP-OUT ZONE.

12. THE VOID CORING IN BETWEEN POWER MODULES, SIGNAL MODULES AND END MODULES ARE OPTIONAL AND THE SHAPE MAY BE DIFFERENT FOR OPTIMIZE THE MOLDING PROCESS. THE VOID CORING WILL NOT EFFECT TO PRODUCT FUNCTION.

dr	Guang, Shi	2011/07/18	projection 	MM 	size	A4	scale	1:1
eng	Guang, Shi	2011/08/04			ecn no	-		
chr	-	-			product family	PwrBlade	rel level	Released
appr	Pei-Ming Zheng	2011/08/04			title 8P + 12S VERTICAL STB RECEIPT	dwg no 51940-397	rev A	
www.fci.com		cat. no.	Product - Customer Drw			sheet 4 of 4		