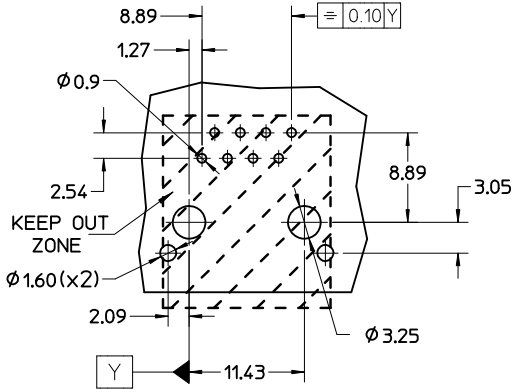
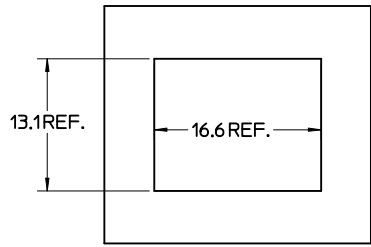


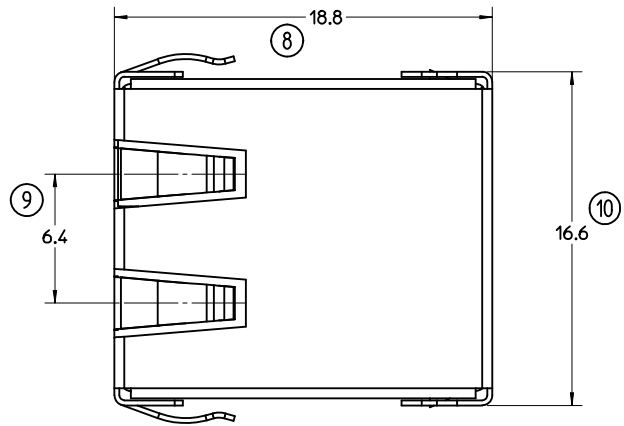
10 9 8 7 6 5 4 3 2 1

PART No.	PLATING
85543-7003	7

SUGGESTED PANEL CUT-OUT



RECOMMENDED P.C.B. LAYOUT
VIEW FROM COMPONENT SIDE
ALL DIMENSIONS REF DIMENSIONS

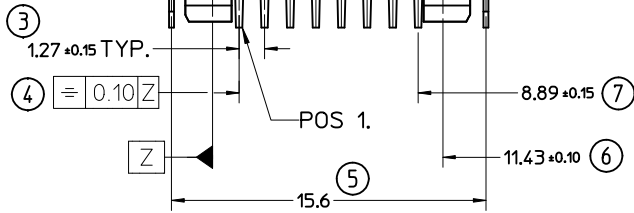
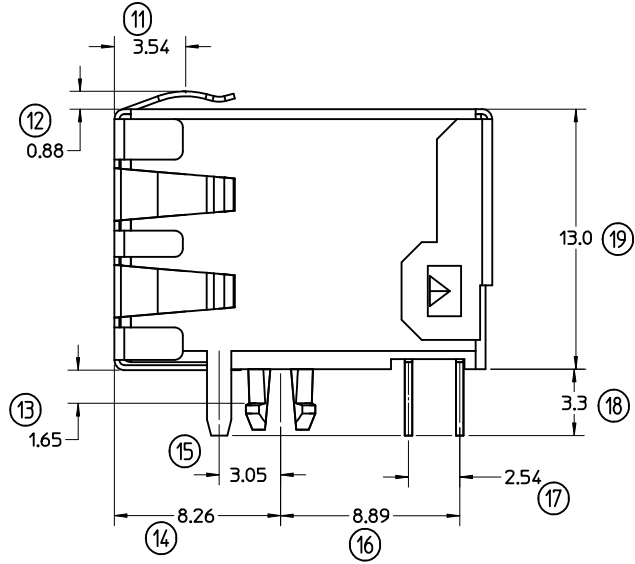
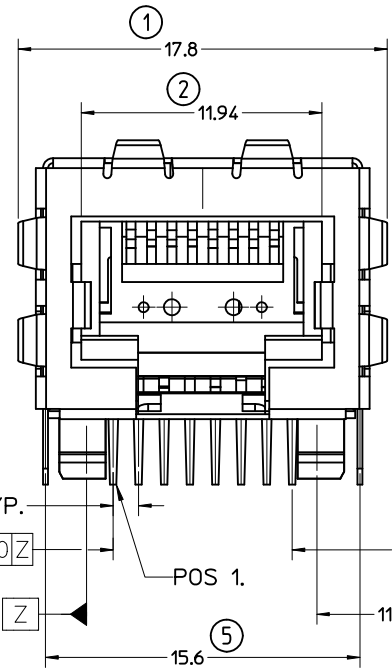


- NOTES:
- JACK FOR MATING WITH SHIELDED RJ45 PLUG (MOLEX 95043 SERIES)
 - PRODUCT SPECIFICATION: PS-85543-002
 - PACKAGING SPECIFICATION: PK-85542-003
 - P.C.B. BOARD THICKNESS: 1.57

LAST INSPECTION No: 19

TECHNICAL SPECIFICATION:
MATERIAL:

HOUSING: LCP GLASS FILLED UL94V-0, COLOUR BLACK
TERMINAL: PHOSPHOR BRONZE PLATED WITH:
PLATING 7: POST PLATE 0.00005 MIN GOLD FLASH OVER
0.00060 MIN PALLADIUM-NICKEL IN CONTACT AREA
0.00190 MIN PURE TIN IN TAIL AREA
BOTH OVER 0.00127 MIN NICKEL OVERALL
SHIELD: BRASS PLATED WITH 0.0020 MIN TIN



UPDATED PS NOTE EC NO: IPG2012-0375 DRWN: JCONNOR 2012/02/14 CHKD: 2012/03/07 APPR: EFOLAN	DESCRIPTION QUALITY SYMBOLS ▽=0 Ⓢ=0	GENERAL TOLERANCES (UNLESS SPECIFIED)		DIMENSION STYLE	SCALE	DESIGN UNITS	THIRD ANGLE PROJECTION	
		mm	INCH	MM ONLY	4:1	METRIC		
		4 PLACES	± ---	± ---	DRAWN BY	DATE	TITLE	
		3 PLACES	± ---	± ---	CHECKED BY	DATE	HIGH SPEED R/A FULLY SHIELDED JACK 8/8 T/HOLE W./FRONT SHIELD SPRINGS	
2 PLACES	± 0.25	± ---	EOMAHONY	2006/09/06	MOLEX INCORPORATED			
1 PLACE	± 0.35	± ---	APPROVED BY	DATE	DOCUMENT NO.		SHEET NO.	
ANGULAR ± 2 °		EOMAHONY		2006/09/06	SD-85543-503		1 OF 1	
DRAFT WHERE APPLICABLE MUST REMAIN WITHIN DIMENSIONS		MATERIAL NO.		SEE CHART				
		SIZE		THIS DRAWING CONTAINS INFORMATION THAT IS PROPRIETARY TO MOLEX INCORPORATED AND SHOULD NOT BE USED WITHOUT WRITTEN PERMISSION				

9 8 7 6 5 4 3 2 1