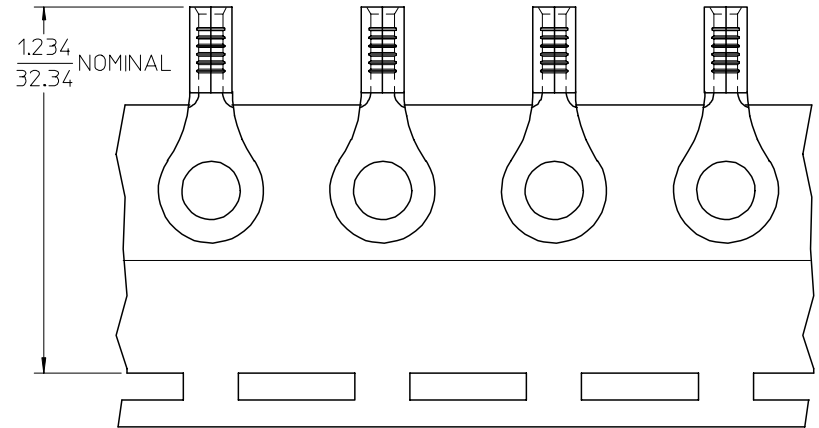
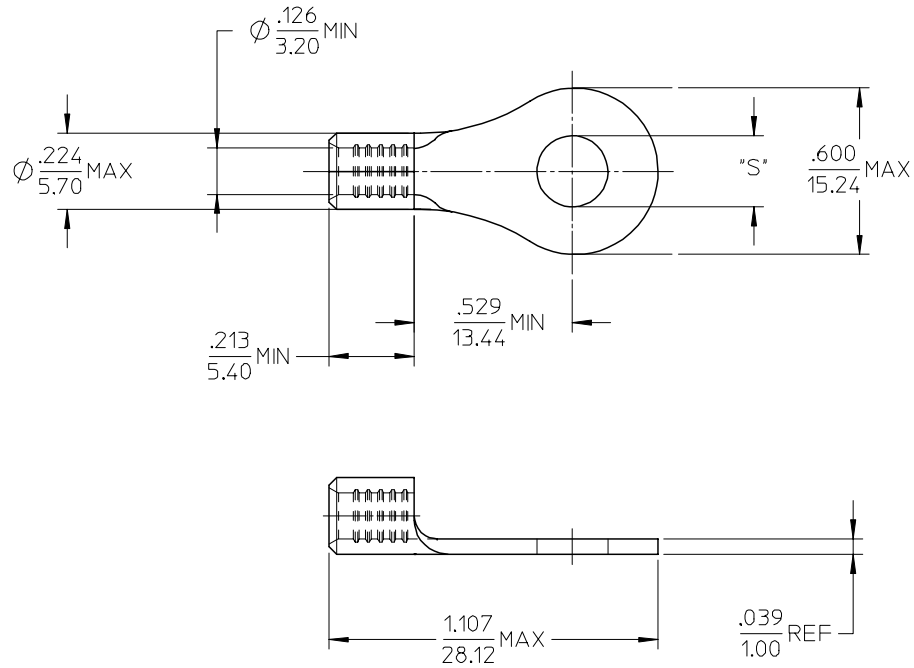


MATERIAL NO.	ENG. NO.	STUD SIZE	"S" MAX	DESCRIPTION
192030496	C-S-130-56	5/16	.334/8.48	LOOSE
192030096	C-S-130-56T	5/16	.334/8.48	TAPE



PARTS ON TAPE

NOTE(S):

- MATERIAL: STEEL
- WIRE SIZE: 12-10 AWG (4.0-6.0 MM<sup>2</sup>)
- FINISH: NICKEL PLATING
- PART IS ROHS COMPLIANT.
- AMBIENT OPERATING TEMPERATURE UP TO 900 °F (483 °C).

REV	DESCRIPTION	QUALITY SYMBOLS	GENERAL TOLERANCES (UNLESS SPECIFIED)		DIMENSION STYLE	SCALE	DESIGN UNITS	THIRD ANGLE PROJECTION
			mm	INCH	IN/MM	4:1	INCH	
B	ADDED OPERATING TEMP EC NO: ETC2007-0297 DRW: NEHLE 2007/03/13 CHKD: JMACNEIL 2007/03/13 APPR: JMACNEIL 2007/03/14	▽=0 ▽=0	4 PLACES	± ---	± ---	DRAWN BY EHILE	DATE 2006/09/22	TITLE RING TONGUE TERMINAL, 12-10 AWG, KRIMPTITE, 900 DEG F (483 DEG C)
			3 PLACES	± ---	± ---	CHECKED BY JMACNEIL	DATE 2006/09/22	
			2 PLACES	± ---	± ---	APPROVED BY JMACNEIL	DATE 2006/09/22	MATERIAL NO. SEE CHART
			1 PLACE	± ---	± ---	MOLEX INCORPORATED		
			ANGULAR ± ---°		MATERIAL NO. SEE CHART		DOCUMENT NO. SD-19203-034	SHEET NO. 1 OF 1
			DRAFT WHERE APPLICABLE MUST REMAIN WITHIN DIMENSIONS		THIS DRAWING CONTAINS INFORMATION THAT IS PROPRIETARY TO MOLEX INCORPORATED AND SHOULD NOT BE USED WITHOUT WRITTEN PERMISSION			