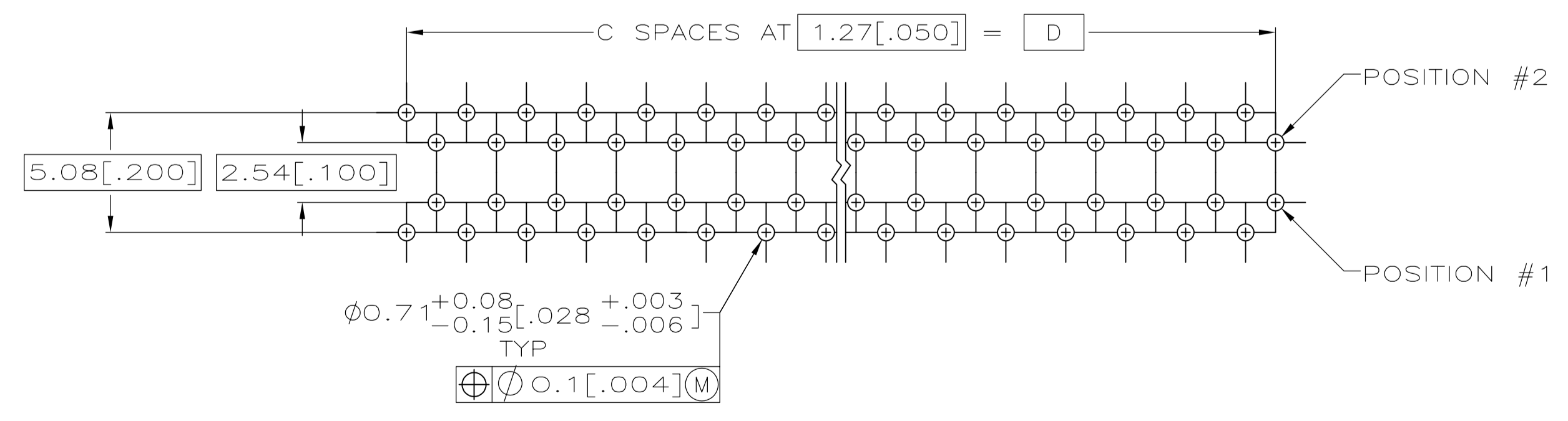
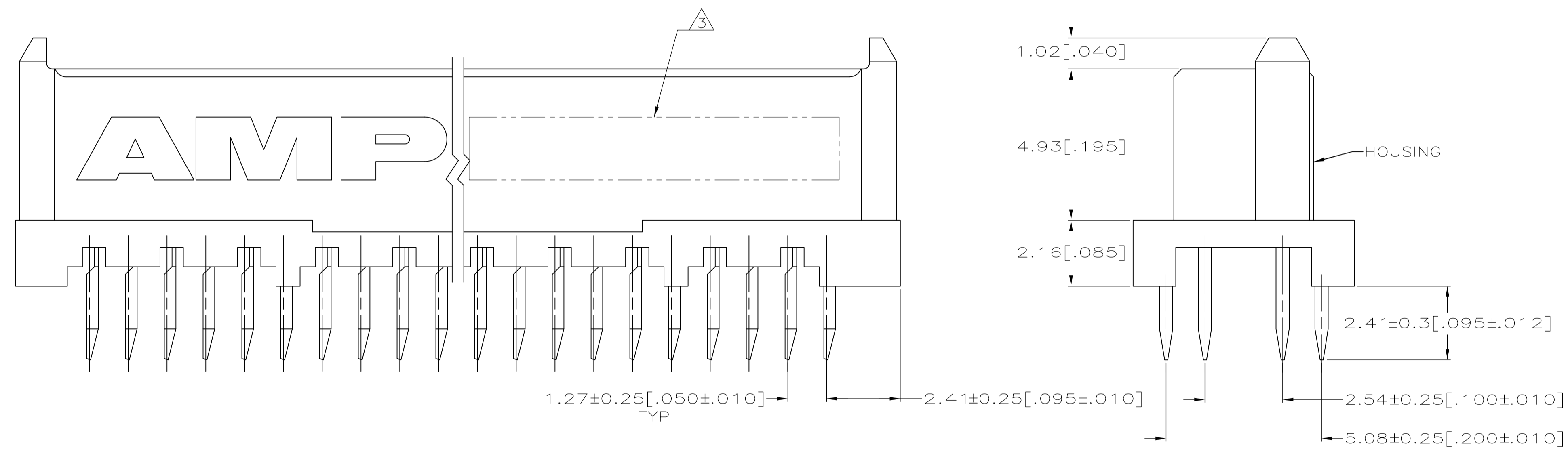


- ① HOUSING: HIGH TEMPERATURE THERMOPLASTIC, COLOR NATURAL.
RECEPTACLE CONTACTS: PHOSPHOR BRONZE.
- ② CONTACTS & GROUND BUSES: 0.00076(.000030) MIN. GOLD PER ASTM B 488 ON CONTACT AREA, 0.00254-0.00762(.000100-.000300) MATTE TIN PER ASTM B 545 ON SOLDER TAIL, ALL OVER 0.00127-0.00254(.000050-.000100) MATTE NICKEL PER SAE AMS-QQ-N-290 ON ENTIRE CONTACT.
- ③ DATE CODE MARKED IN AREA INDICATED ON NEAR SIDE.



74.93 [2.950]	59	77.14 [3.037]	79.63 [3.135]	120	5536327-5
D	C	B		A	NO OF POS PART NUMBER
THIS DRAWING IS A CONTROLLED DOCUMENT.					
DIMENSIONS: INCHES		TOLERANCES UNLESS OTHERWISE SPECIFIED:		DIB G. ATTADIA 01-20-05 CHK D. DIXON 01-20-05 APVD D. DIXON 01-20-05 NAME: Tyco Electronics Corporation, Harrisburg, PA 17105-3608 PRODUCT SPEC: 108-1272 APPLICATION SPEC: 114-11005 SIZE: A1 CAGE CODE: 00779 DRAWING NO: 5536327 RESTRICTED TO:	
MATERIAL: ①		FINISH: ②		WEIGHT: - CUSTOMER DRAWING	
SCALE: 10:1				SHEET: 1 OF 1 REV: A	