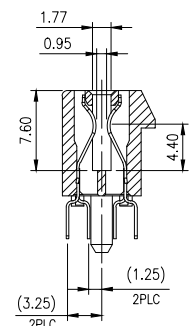
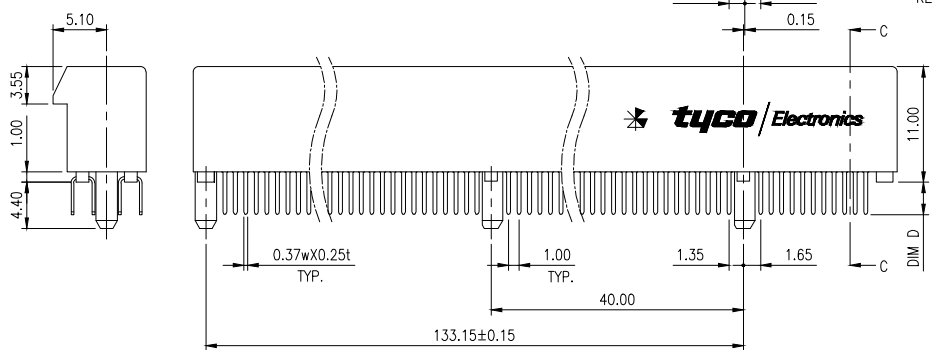
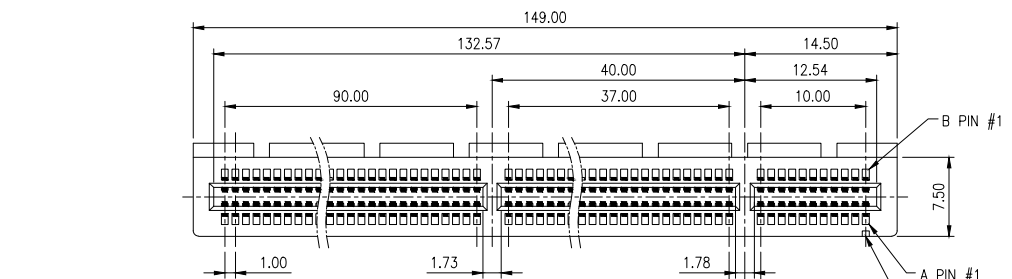
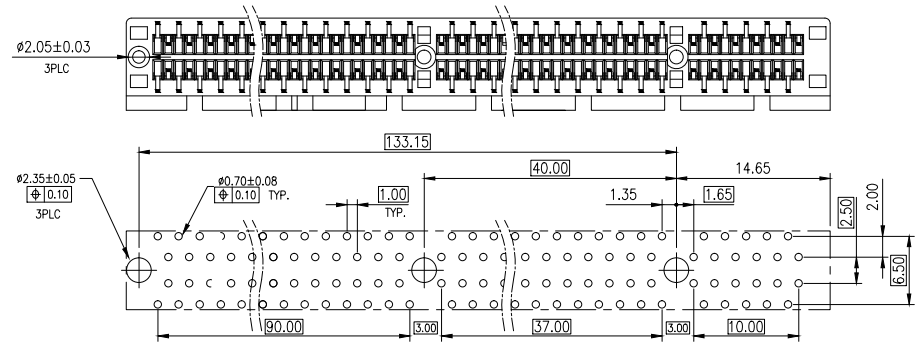


THIS DRAWING IS UNPUBLISHED. RELEASED FOR PUBLICATION AUG , 2006.
 COPYRIGHT BY TYCO ELECTRONICS CORPORATION. ALL RIGHTS RESERVED.

| LOC | | DIST | | REVISIONS | | | |
|-----|-----|-------------------------|--|-----------|-----|------|--|
| P | LTR | DESCRIPTION | | DATE | DWN | APVD | |
| | B2 | REVISED (ECR-14-013708) | | 22SEP14 | SW | SC | |



SECTION C-C



RECOMMENDED PCB LAYOUT (TOP VIEW)
 PCB TOLERANCE: ±0.05

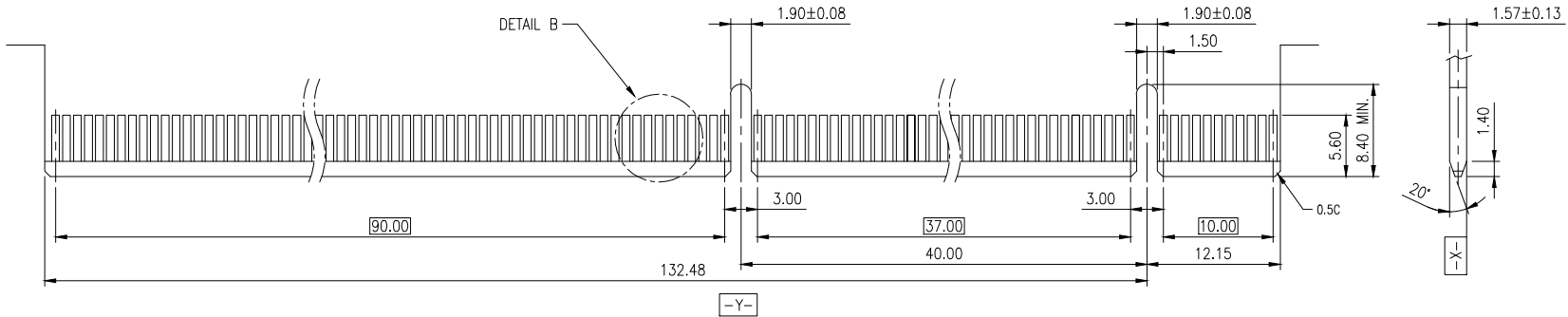
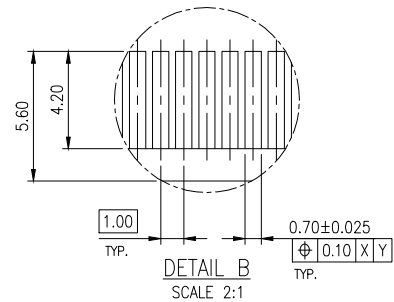
- NOTES:
- MATERIAL:
 - HOUSING: THERMOPLASTIC, HIGH TEMP., UL94V-0; COLOR: SEE TABLE.
 - CONTACTS: PHOSPHOR BRONZE.
 - FINISH:
 - CONTACT: GOLD PLATING (SEE TABLE) ON CONTACT AREA. 100u" MIN. MATTE-TIN PLATING ON SOLDER TAILS, 50u" MIN. NICKEL UNDERPLATING OVERALL.
 - WAVE SOLDER CAPABLE TO 265°C PER TE SPEC. 109-202, CONDITION B.

| EOL | WHITE 7527U | 2.36 | 3.10 | 30 u" | 1-1775276-4 |
|-----|-------------|---------------|---------|--------------|-------------|
| | | | | 15 u" | 1-1775276-3 |
| | | 1.56 | 2.54 | 30 u" | 1-1775276-2 |
| | | | | 15 u" | 1-1775276-1 |
| | BLACK | 2.36 | 3.10 | 30 u" | 1775276-4 |
| | | | | 15 u" | 1775276-3 |
| | | 1.56 | 2.54 | 30 u" | 1775276-2 |
| | | | | 15 u" | 1775276-1 |
| | HG COLOUR | PCB THICKNESS | D ±0.20 | GOLD PLATING | PART NUMBER |

| | | | | | | | |
|--|--|--------------------------|----------------------------|-------|-----------|--------------|------------|
| THIS DRAWING IS A CONTROLLED DOCUMENT. | | DWN S. CHIEN 24DEC2008 | TE Connectivity | | | | |
| DIMENSIONS: MM | | CHK S. CHIEN 24DEC2008 | | | | | |
| TOLERANCES UNLESS OTHERWISE SPECIFIED: | | APVD W. KODAMA 24DEC2008 | NAME | | | | |
| 0 PLC ± - 1 PLC ± 0.3 2 PLC ± 0.2 3 PLC ± - 4 PLC ± - ANGLES ± 3' | | PRODUCT SPEC | 1.0MM PCI EXPRESS, 280 POS | | | | |
| MATERIAL SEE NOTE | | FINISH SEE NOTE | QUALIFICATION TEST REPORT | SIZE | CAGE CODE | DRAWING NO | RESTRICTED |
| | | | 501-57593 | A3 | 00779 | C=1775276 | |
| | | | WEIGHT 14.5 GRAMS | SCALE | | SHEET 1 OF 3 | REV B2 |
| | | | CUSTOMER DRAWING | | | | |

THIS DRAWING IS UNPUBLISHED. RELEASED FOR PUBLICATION AUG , 2006.
 © COPYRIGHT BY TYCO ELECTRONICS CORPORATION. ALL RIGHTS RESERVED.

| LOC | | DIST | | REVISIONS | | | |
|-----|-----|--------------|--|-----------|-----|------|--|
| P | LTR | DESCRIPTION | | DATE | DWN | APVD | |
| | | SEE SHEET 1. | | | | | |



RECOMMENDED MATING COMPONENT BOARD

| | | | | | |
|--|--|------------------|--|---|--|
| THIS DRAWING IS A CONTROLLED DOCUMENT. | | DWN | | STE TE Connectivity | |
| DIMENSIONS: MM | | CHK | | | |
| TOLERANCES UNLESS OTHERWISE SPECIFIED: | | APVD | | NAME | |
| 0 PLC ± - | | PRODUCT SPEC | | 1.0MM PCI EXPRESS, 280 POS | |
| 1 PLC ± - | | APPLICATION SPEC | | SIZE CAGE CODE DRAWING NO RESTRICTED TO | |
| 2 PLC ± - | | WEIGHT | | A3 00779 C=1775276 | |
| 3 PLC ± - | | CUSTOMER DRAWING | | SCALE SHEET 2 OF 3 REV B2 | |
| 4 PLC ± - | | | | | |
| ANGLES ± - | | | | | |
| MATERIAL | | | | | |
| FINISH | | | | | |

4

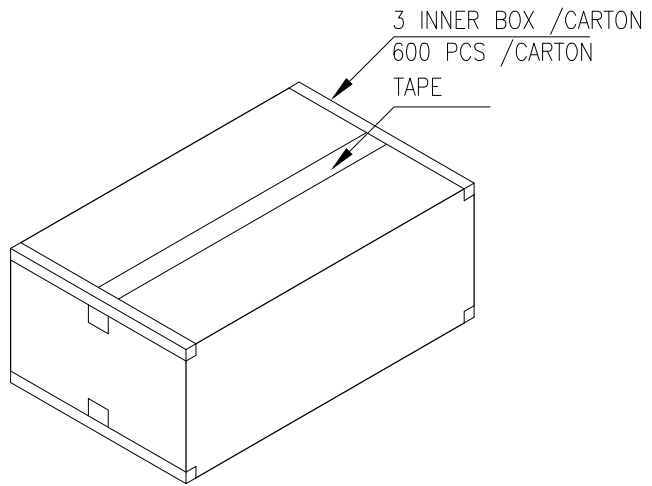
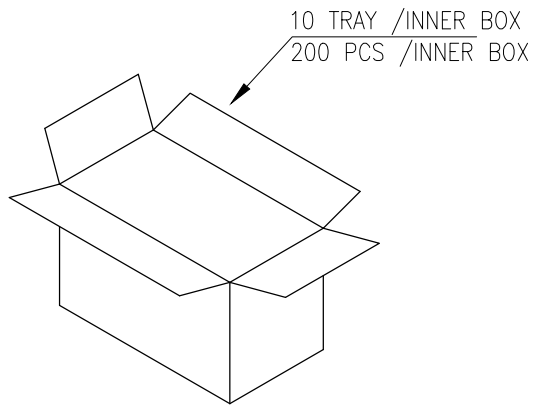
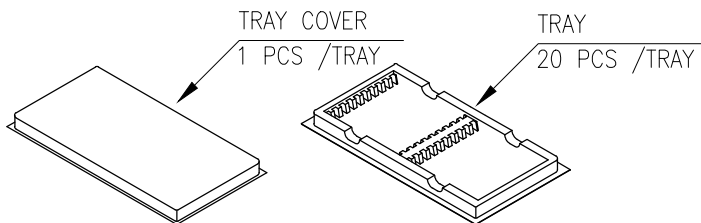
3

2

1

THIS DRAWING IS UNPUBLISHED. RELEASED FOR PUBLICATION AUG , 2006.
 © COPYRIGHT BY TYCO ELECTRONICS CORPORATION. ALL RIGHTS RESERVED.

| LOC | DIST | REVISIONS | | | |
|-----|------|--------------|------|-----|------|
| P | LTR | DESCRIPTION | DATE | DWN | APVD |
| | | SEE SHEET 1. | | | |



SHIPPING CARTON

NOTES:

1. TRAY COVER SIZE: 329.5mm(L)X 170mm(W)X 20mm(H).
2. TRAY SIZE: 328.5mm(L)X 170mm(W)X 20mm(H).
3. BOX SIZE: 340mm(L)X 187mm(W)X 210mm(H).
4. CARTON SIZE: 576mm(L)X 350mm(W)X 232mm(H).
5. CARTON NET WEIGHT: 8.7 Kg.
6. CARTON GROSS WEIGHT: 10.4 Kg.

| | | | | |
|--|--|------------------|----------------------------|---------------|
| THIS DRAWING IS A CONTROLLED DOCUMENT. | | DWN | STE TE Connectivity | |
| DIMENSIONS: MM | | CHK | | |
| TOLERANCES UNLESS OTHERWISE SPECIFIED: | | APVD | NAME | |
| 0 PLC ± - | | PRODUCT SPEC | 1.0MM PCI EXPRESS, 280 POS | |
| 1 PLC ± - | | APPLICATION SPEC | SIZE | CAGE CODE |
| 2 PLC ± - | | WEIGHT | A3 | 00779 |
| 3 PLC ± - | | CUSTOMER DRAWING | DRAWING NO | RESTRICTED TO |
| 4 PLC ± - | | SCALE | C=1775276 | - |
| ANGLES ± - | | SHEET | 3 OF 3 | REV B2 |