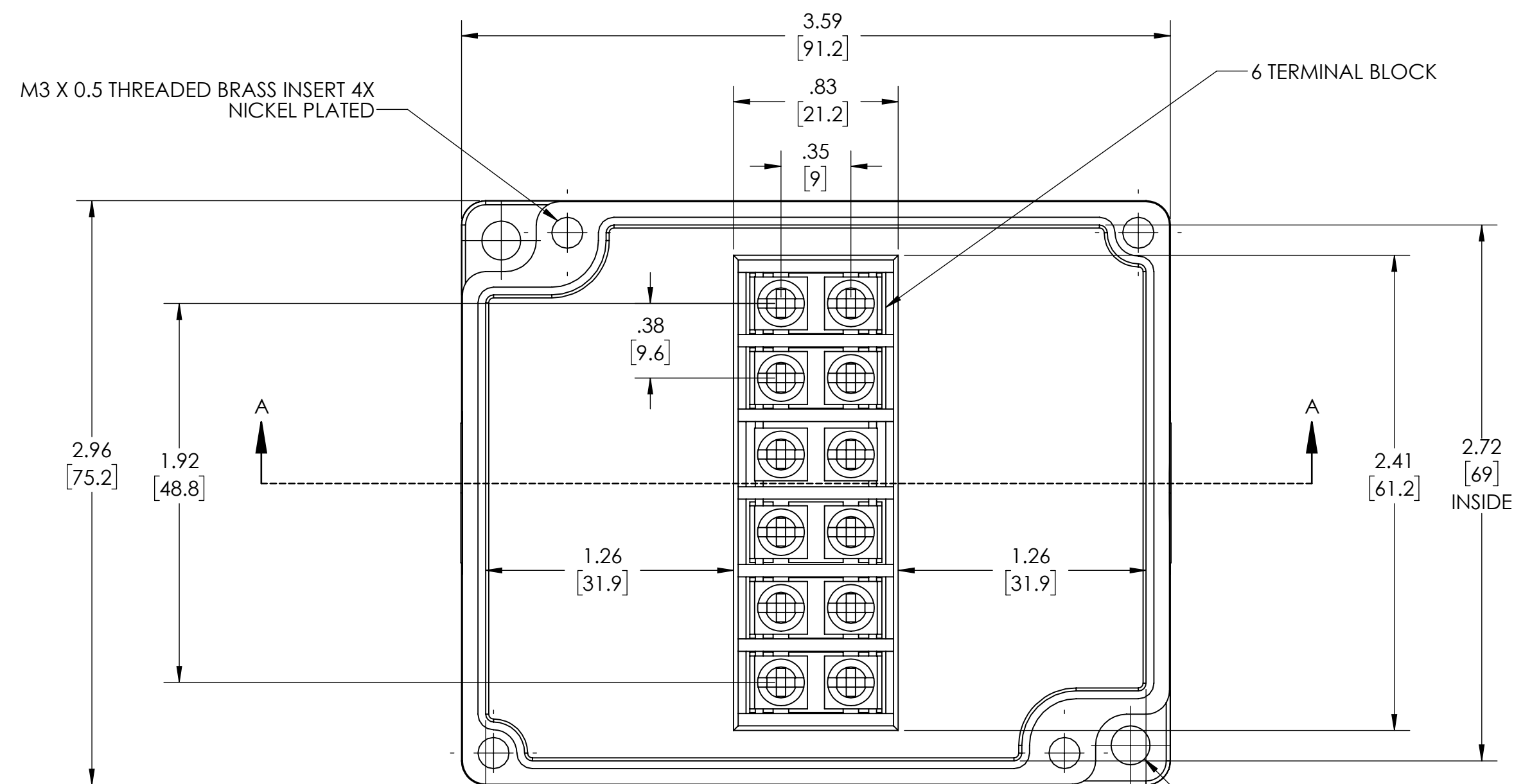
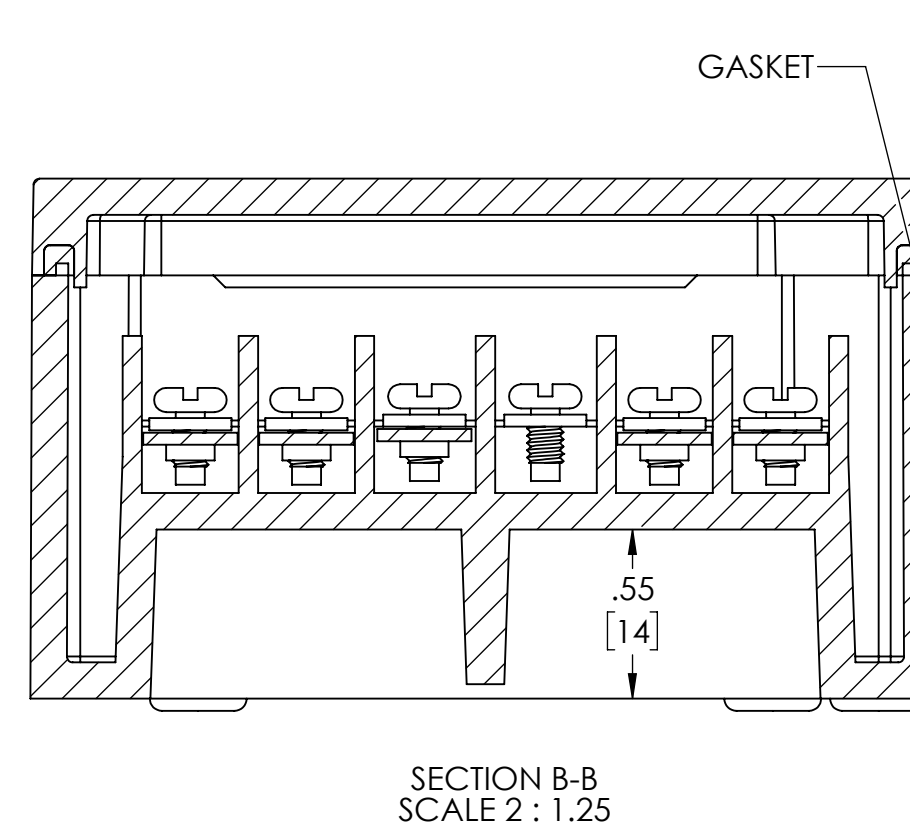
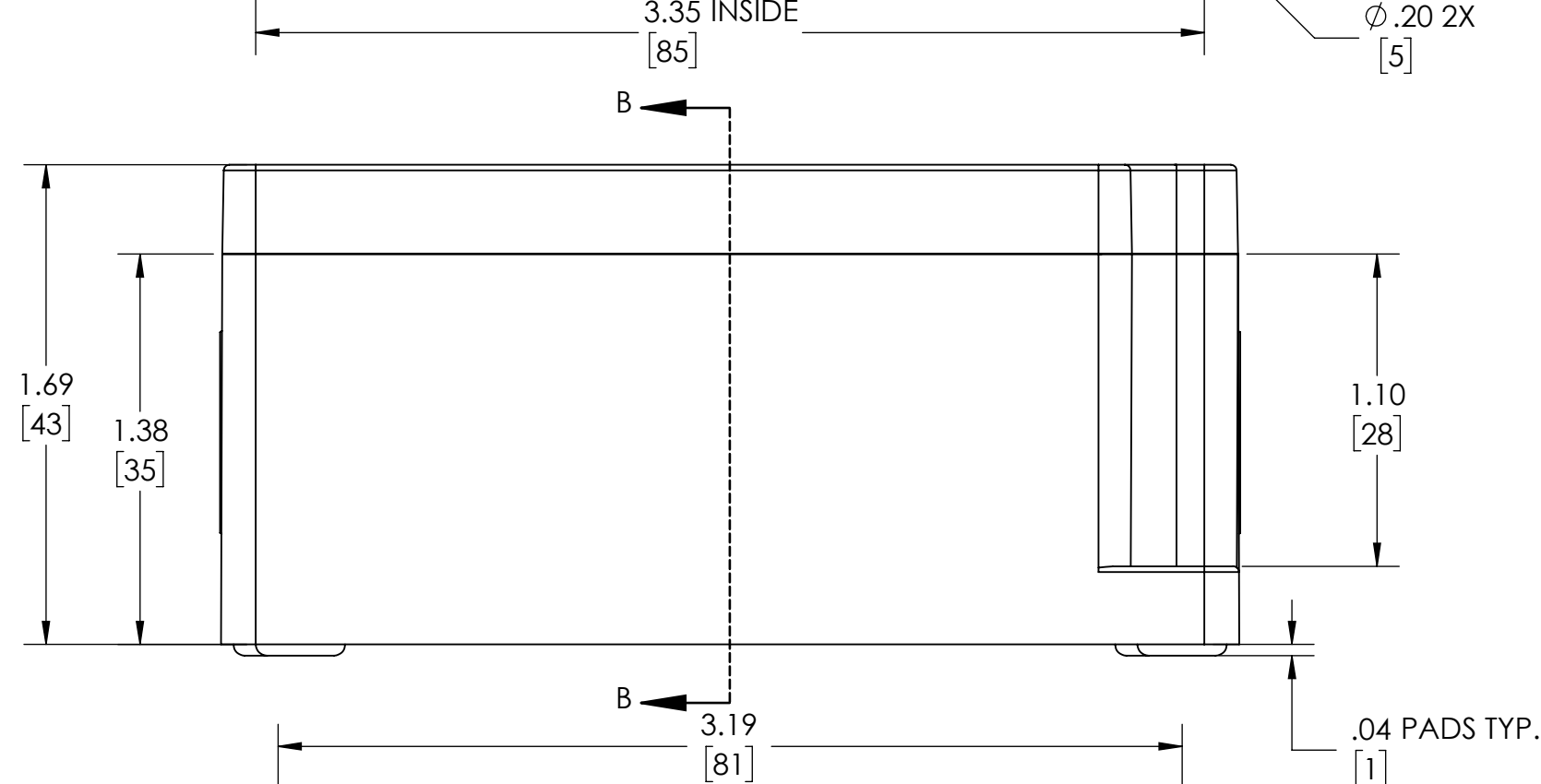
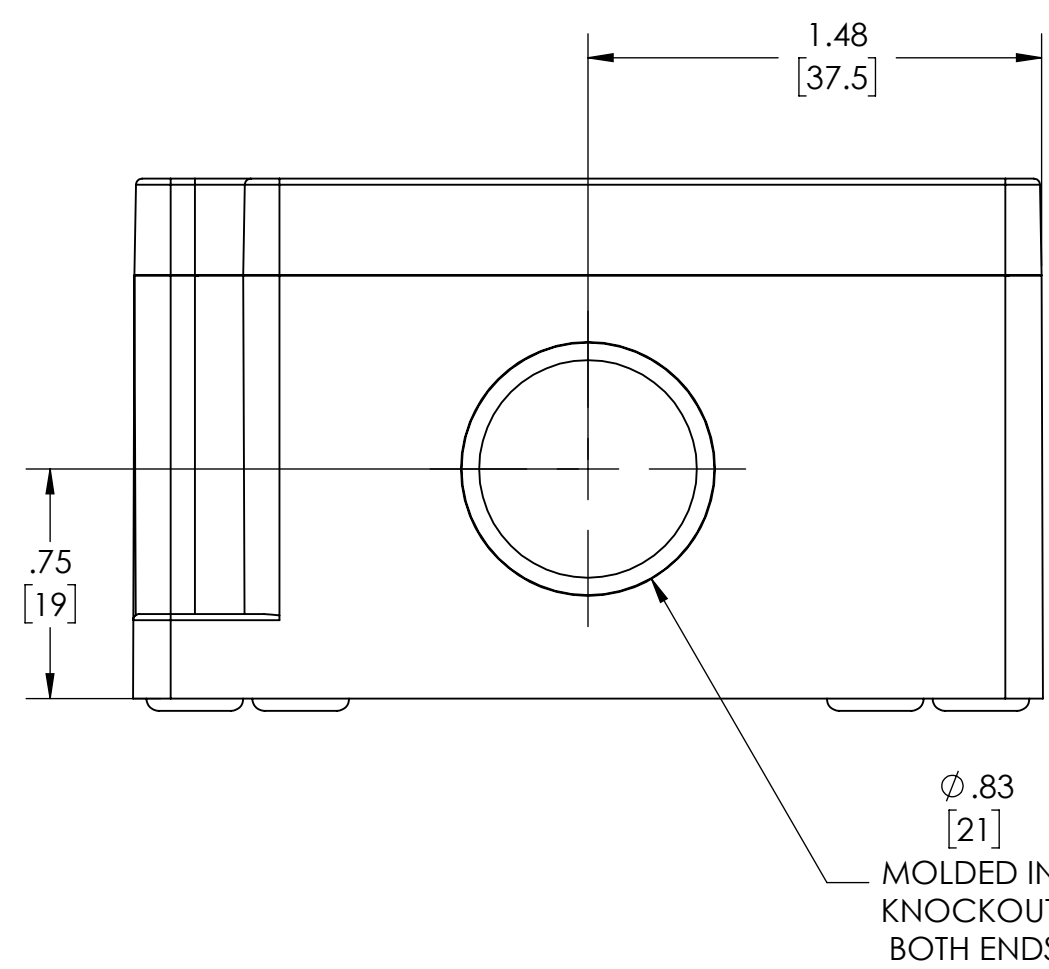
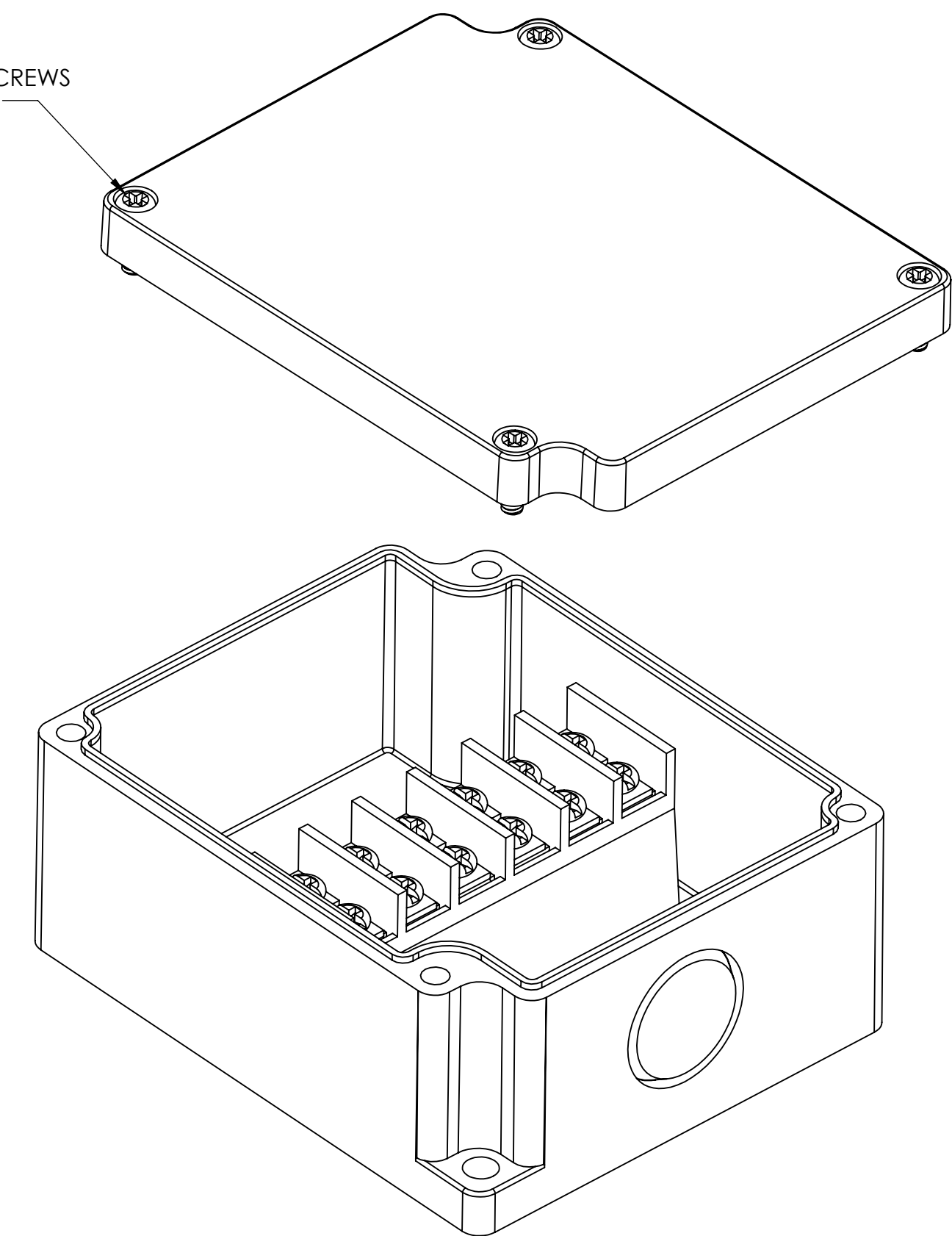


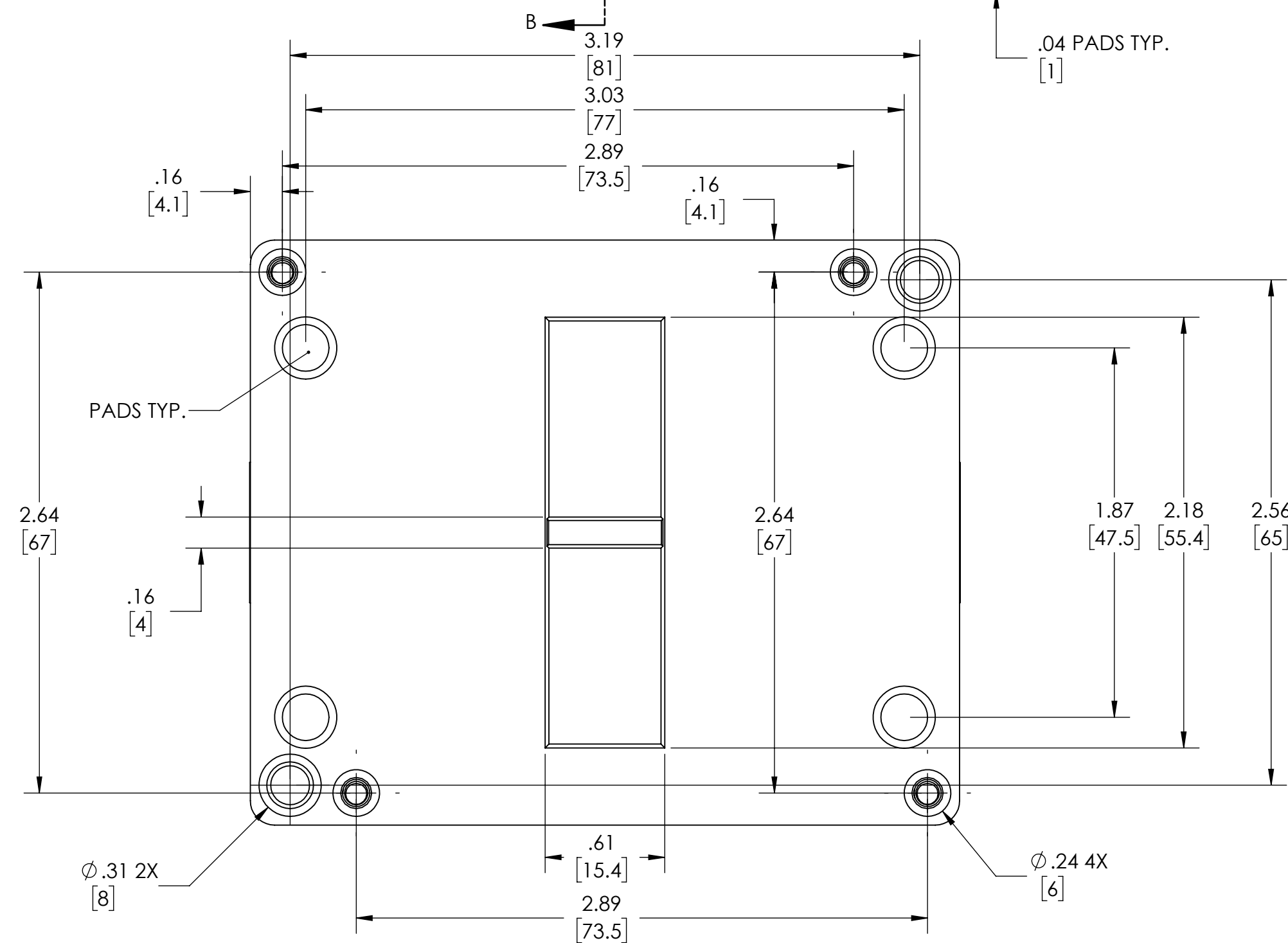
DRAWING FOR REFERENCE
 WE RESERVE THE RIGHT TO MAKE CHANGES TO OUR
 STANDARD PRODUCTS. PLEASE CONSULT WITH BUD INDUSTRIES
 PRIOR TO USING THIS DRAWING FOR DESIGN PURPOSE.



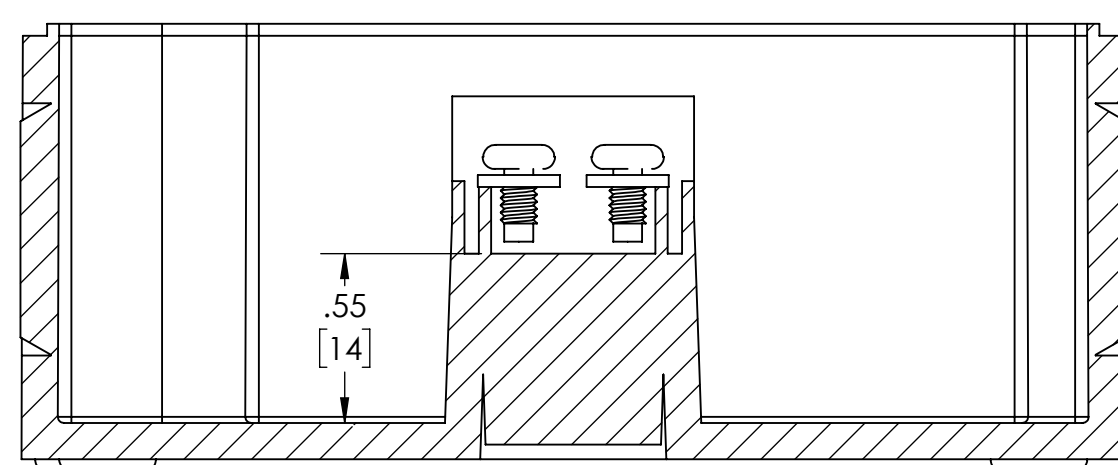
METALLIC SCREWS
 SUPPLIED 4X



SECTION B-B
 SCALE 2 : 1.25



SECTION A-A
 SCALE 2 : 1.25



- NOTES:
- 1- MATERIAL: BODY - GRAY ABS UL94 V-0
 COVER - GRAY ABS OR CLEAR (-C SUFFIX) POLYCARBONATE
 - 2- HIGH IMPACT RESISTANCE IK 07/08
 - 3- TUV RATING IP66/67
 - 4- CONTINUOUS Poured GASKET IN COVER
 - 5- COVER ATTACHES WITH STAINLESS STEEL M3 X 0.5 SCREWS SUPPLIED
 - 6- TEMPERATURE RANGE -40° ~ +70° F.
 - 7- TERMINAL FEATURES:
 SURFACE TREATED STEEL TERMINAL SCREWS
 RATED INSULATION VOLTAGE 400V
 RATED IMPULSE VOLTAGE 4KV
 RATED CURRENT CAPACITY .75mm² - 1.5mm²
 - 8- DIMENSIONS ARE INCH [MM]
 - 9- OPTIONAL EXTERNAL MOUNTING BRACKETS NOT INCLUDED.
 PART NUMBERS NBX-10922 & PIX-4117

