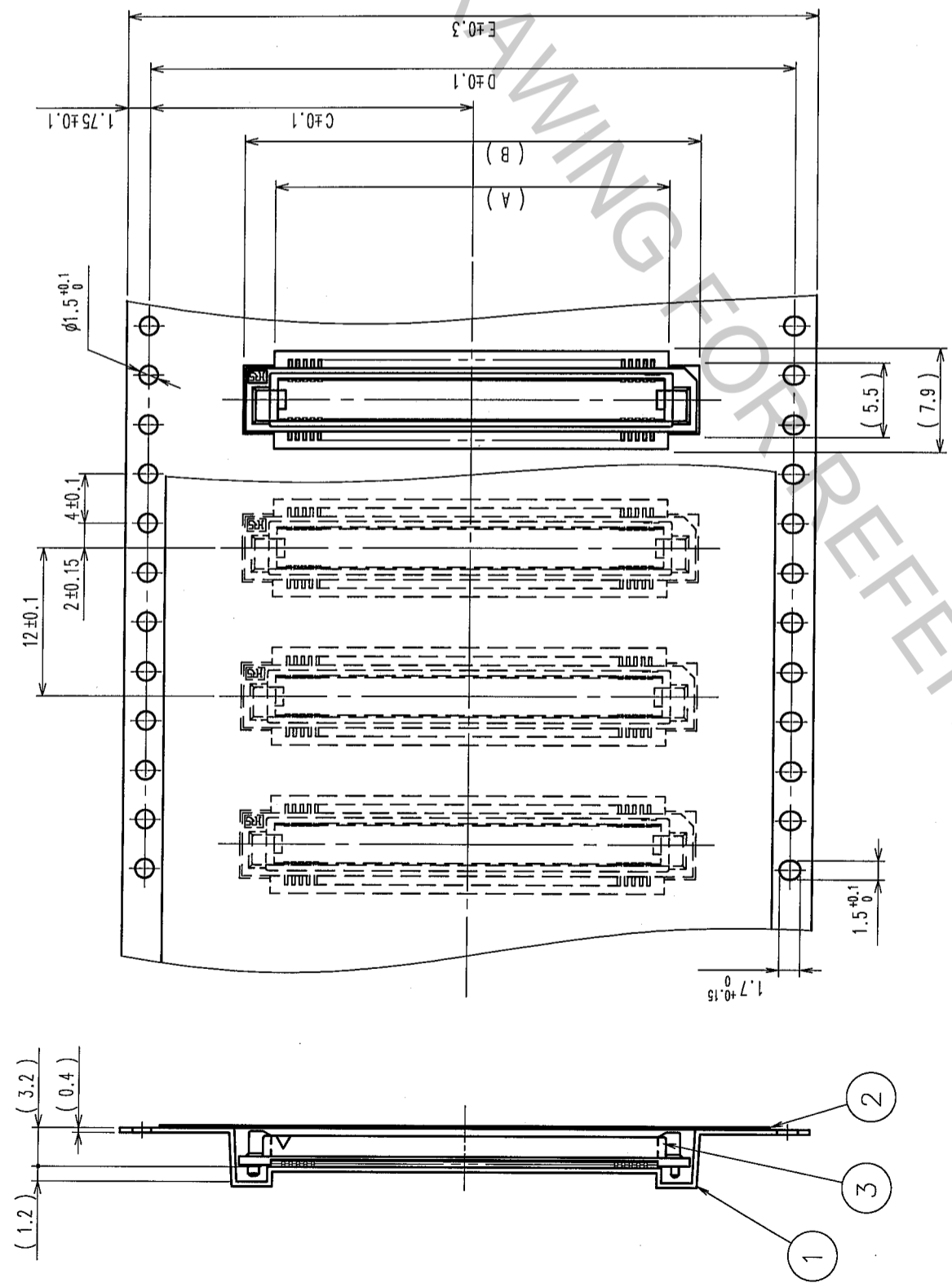
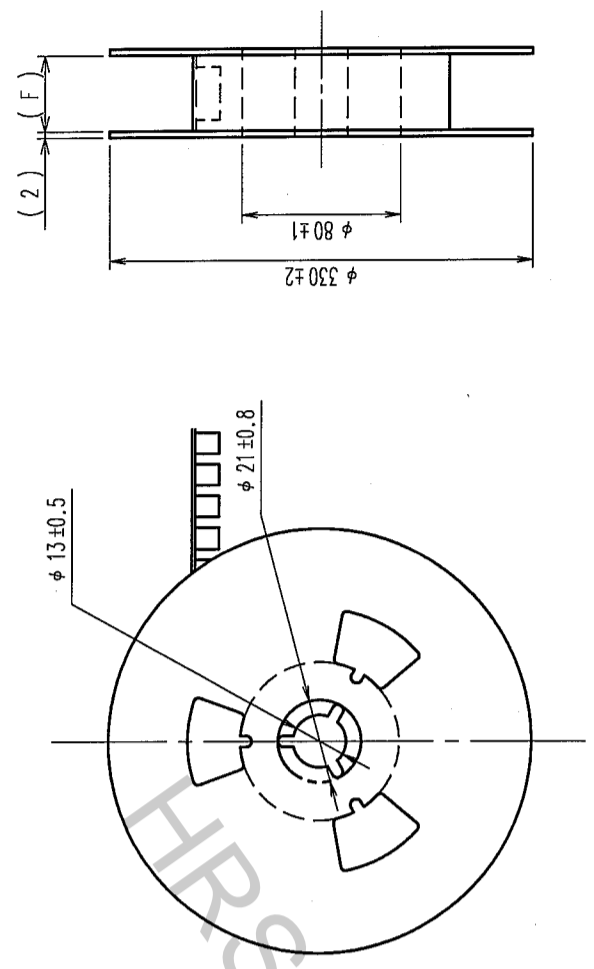


COUNT	DESCRIPTION OF REVISIONS	BY	CHKD	DATE	COUNT	DESCRIPTION OF REVISIONS	BY	CHKD	DATE
△					△				
△					△				

UNREELING DIRECTION
↑



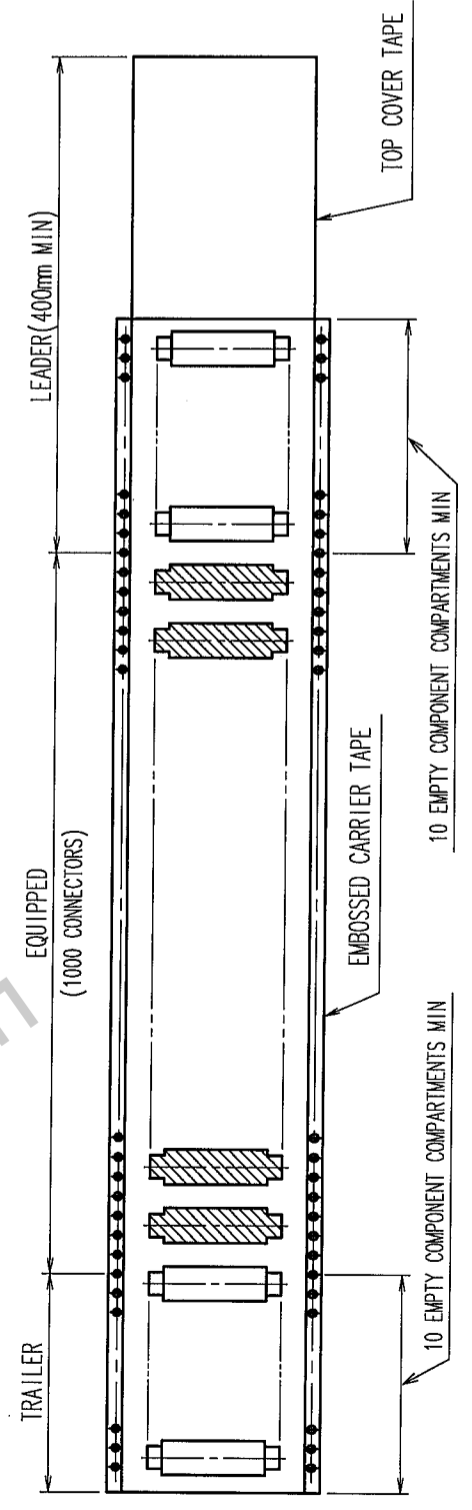
REEL DIMENSION



△ DIMENSION TABLE OF EMBOSSED CARRIER TAPE AND REEL.

PART No.	CODE No.	2	A	B	C	D	E	F
FX8-60P-SV(92)	CL578-0001-6-92	60	20	25	20.2	40.4	44	44.4
FX8-80P-SV(92)	CL578-0003-1-92	80	26	31	20.2	40.4	44	44.4
FX8-90P-SV(92)	CL578-0004-4-92	90	29	34	20.2	40.4	44	44.4
FX8-100P-SV(92)	CL578-0005-7-92	100	32	37	26.2	52.4	56	56.4
FX8-120P-SV(92)	CL578-0006-0-92	120	38	43	26.2	52.4	56	56.4
FX8-140P-SV(92)	CL578-0007-2-92	140	44	49	34.2	68.4	72	72.4

NOTE 1 1 REEL : 1000 CONNECTORS
2 NUMBER OF CONTACTS



2 POLYESTER (TOP COVER TAPE)		3 (CONNECTOR)			
NO.	MATERIAL	FINISH, REMARKS	NO.	MATERIAL	FINISH, REMARKS
1	PS	(EMBOSSED CARRIER TAPE)	3		
CODE NO. (OLD) CL		DRAWN S. SUZUKI		DESIGNED K. NAKAMURA	
		03.03.06		03.03.06	
		03.03.06		03.03.06	
SCALE FREE		DRAWING NO. EDC3-150726-22		PART NO. FX8-**P-SV(92)	
UNITS mm		HIROSE ELECTRIC CO., LTD		CODE NO. CL578	

TO
PCK