

# C2012X8L1C475K125AC

TDK Item Description : C2012X8L1C475KT\*\*\*\*

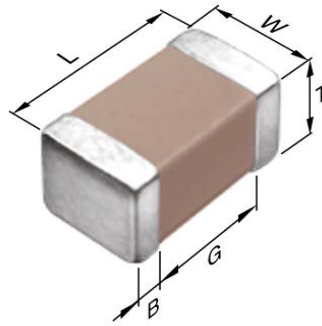


## Application & Main Feature

Commercial Grade ( High Temperature Application )

## Series

C2012 [EIA 0805]



## Dimensions

L	2.00mm +/-0.2mm
W	1.25mm +/-0.2mm
T	1.25mm +/-0.2mm
B	0.20mm Min.
G	0.50mm Min.

## Temperature Characteristic

X8L (-55 to 150 degC +15,-40%)

## Rated Voltage

1C(16Vdc)

## Capacitance

4.7uF

## Capacitance Tolerance

K (+/-10%)

## Dissipation Factor

5% Max.

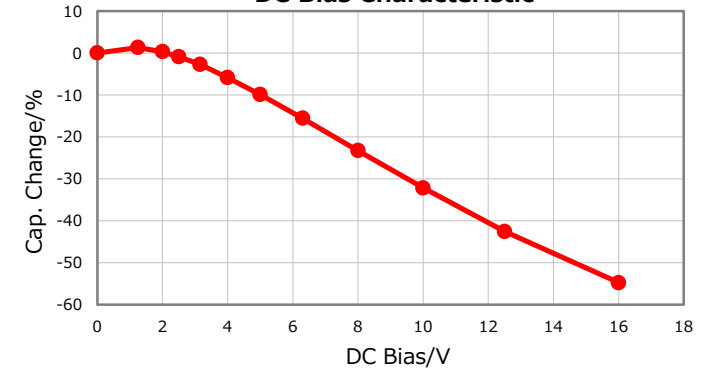
## Insulation Resistance

21Mohm Min.

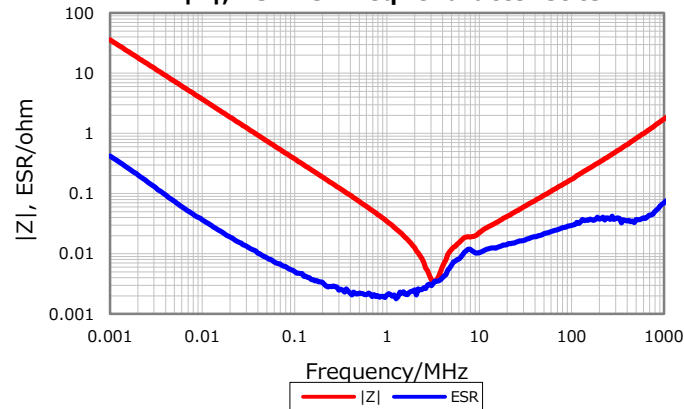
## AEC-Q200

Not Applicable

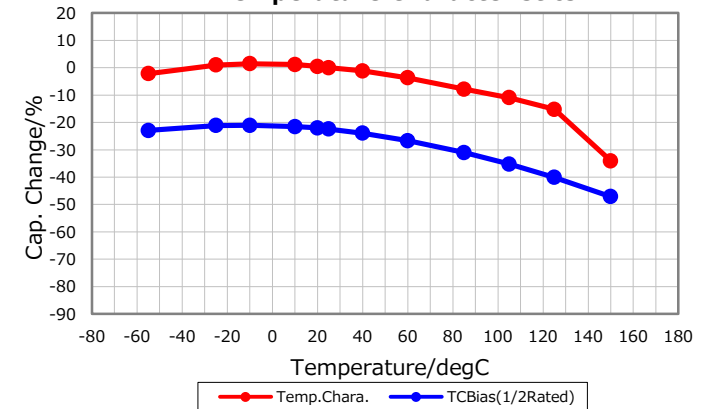
## DC Bias Characteristic



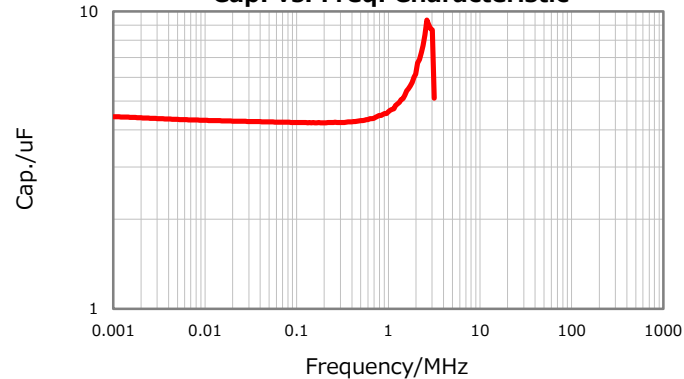
## |Z|, ESR vs. Freq. Characteristics



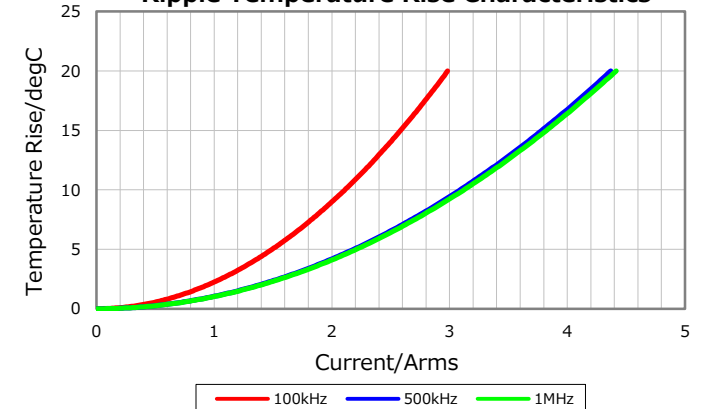
## Temperature Characteristics



## Cap. vs. Freq. Characteristic



## Ripple Temperature Rise Characteristics



Characterization Sheet ( Multilayer Ceramic Chip Capacitors )



All specifications are subject to change without notice.

June 19, 2017