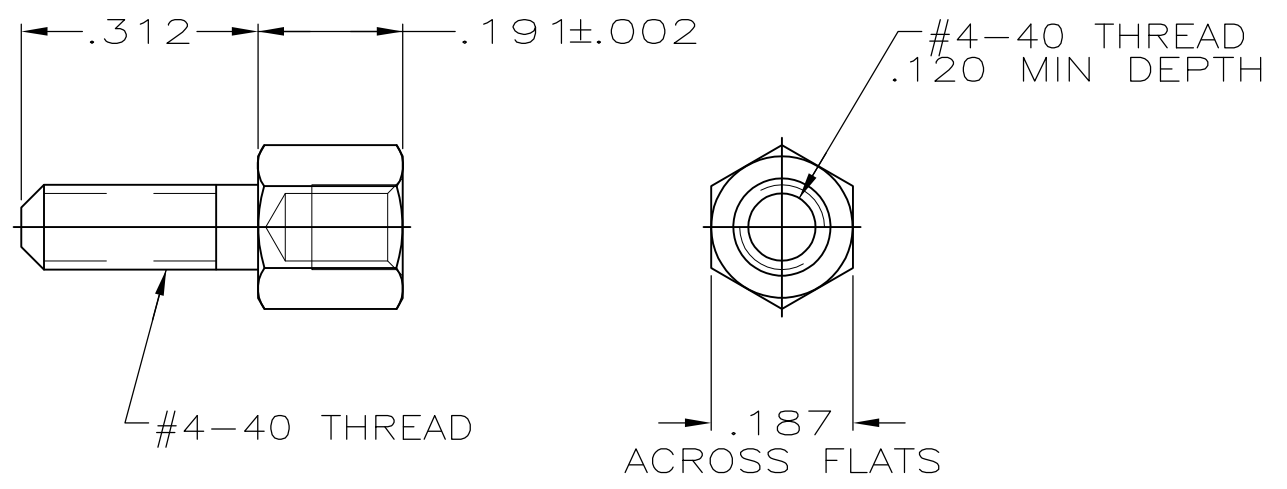


THIS DRAWING IS UNPUBLISHED. RELEASED FOR PUBLICATION
 © COPYRIGHT - By - ALL RIGHTS RESERVED.

LOC	DIST	REVISIONS					
GP	00	P	LTR	DESCRIPTION	DATE	DWN	APVD
		P		REVISED PER ECO-11-004835	11MAR11	RK	HMR



- 1 ZINC PLATED .000200-.000400 THICK, YELLOW CHROMATE COATING.
- 2 ZINC PLATED .000200-.000400 THICK, CLEAR CHROMATE COATING.

2	5205818-3
1	5205818-2
FINISH	PART NUMBER

THIS DRAWING IS A CONTROLLED DOCUMENT.		DWN	R.RICHARDSON	20JUN05	TE Connectivity NAME SCREWLOCK, FEMALE, AMPLIMITE					
DIMENSIONS: INCHES		CHK	C.ROHDE	20JUN05						
		APVD	M.WALMSLEY	20JUN05						
TOLERANCES UNLESS OTHERWISE SPECIFIED:		PRODUCT SPEC	-	-						
0 PLC ± - 1 PLC ± - 2 PLC ± - 3 PLC ± .005 4 PLC ± - ANGLES ± -		APPLICATION SPEC	-	-	SIZE	CAGE CODE	DRAWING NO	RESTRICTED TO		
MATERIAL: COLD ROLLED STEEL		FINISH: SEE TABLE		WEIGHT	-	A3	00779	C-5205818	-	
CUSTOMER DRAWING					SCALE	4:1	SHEET	1 OF 1	REV	P