

NOTES:

1. MATERIAL:

CAGE: NICKEL SILVER, 0.25mm THICK
 EMI STRAPS: PHOS-BRONZE
 AIR-VENT/LIGHT PIPE HOUSINGS: DIECAST ALLOY
 LIGHT PIPES: POLYCARBONATE (OPTIONAL)
 CONNECTOR HOUSING: HIGH TEMPERATURE THERMOPLASTIC
 TERMINALS: COPPER ALLOY

2. FINISH:

CAGE: UNPLATED
 EMI STRAPS: 100 MICROINCHES NICKEL OVERALL
 AIR-VENT/LIGHT PIPE HOUSINGS: NICKEL OVER COPPER
 TERMINALS: CONTACT AREA:
 0.76 μ m MIN. GOLD OVER 2.54 μ m MIN. NICKEL.
 COMPLIANT TAIL:
 TIN/LEAD 0.76-1.52 μ m0 TIN/LEAD (90/10) OVER 1.27 μ m NICKEL.
 TIN: 0.76-1.52 μ m MIN. MATTE TIN OVER 1.27 μ m NICKEL.

3. PACKAGING: PRODUCT PACKAGED IN TRAYS AND CARTONS

4. ALL VISIBLE EXTERIOR SURFACES TO BE CLASS "B" OR BETTER, EXCEPT FOR THE UNDERSIDE OF THE CAGE AND SHOULD CONFORM TO THE MOLEX COSMETIC STANDARD PS-45499-002

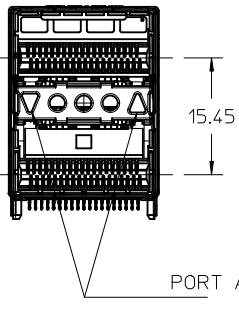
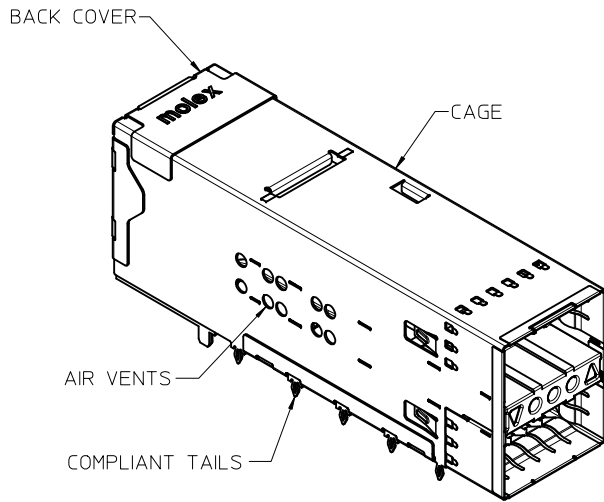
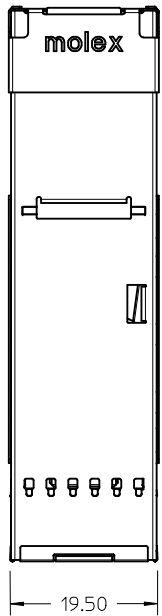
5. CONNECTOR MATES WITH PLUG CABLE SERIES 74757 AND 74758

6. DATE CODE LOCATION SHOWN

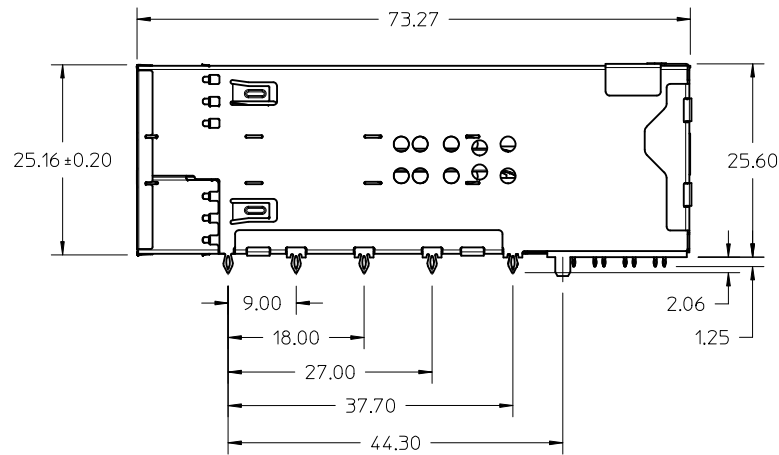
DATE CODE FORMAT: DDDY

DDD= DAY OF THE YEAR

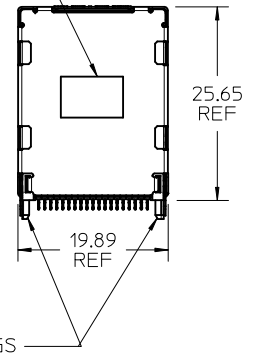
Y= YEAR



PORT ACTIVITY INDICATORS
 LIGHT PIPES



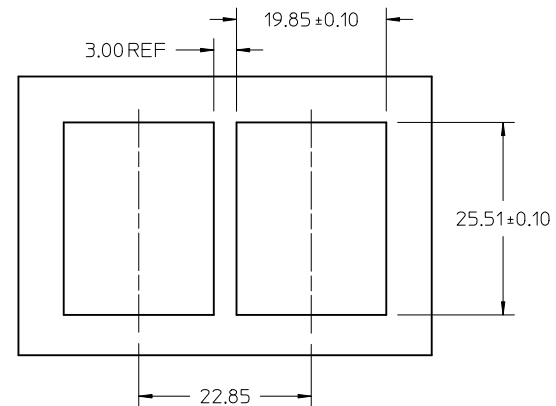
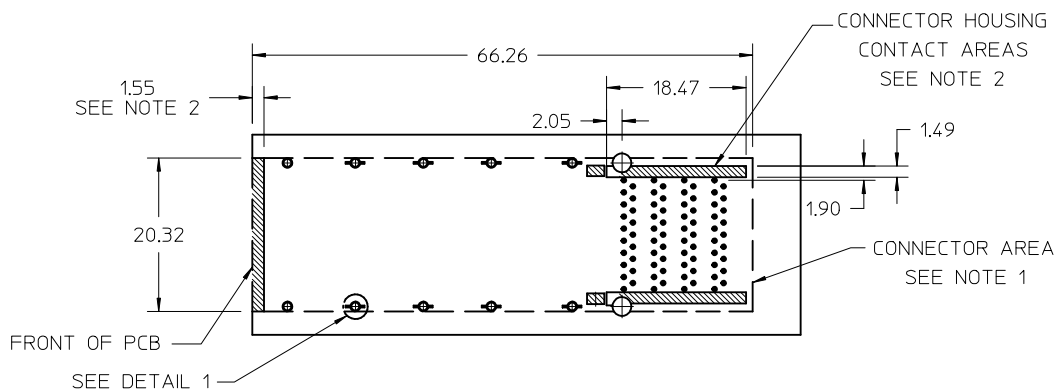
DATE CODE
 LOCATION
 SEE NOTE 6



LOCATING PEGS

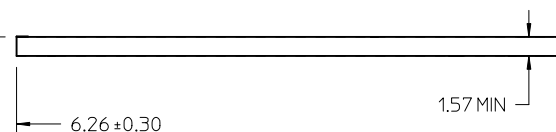
MATERIAL	PLATING
768710003	TIN/LEAD
768710007	TIN

UPDATE LATCH FEATURES EC NO: UCP2012-3046 DRW:HWERY 2012/03/15 CHKD: APPR:MBANAKIS 2012/03/15 REV:	QUALITY SYMBOLS	GENERAL TOLERANCES (UNLESS SPECIFIED)	DIMENSION STYLE MM ONLY	SCALE 2:1	DESIGN UNITS METRIC	THIRD ANGLE PROJECTION
	▽=0	4 PLACES ± --- ± ---	mm INCH	DRAWN BY JJANTELEZIO	DATE 2011/01/28	TITLE QSFP 2X1 ASSEMBLY WITHOUT FLANGE
	▽=0	3 PLACES ± --- ± ---		CHECKED BY	DATE	
	▽=0	2 PLACES ±0.13 ± ---		APPROVED BY MBANAKIS	DATE 2011/04/14	
		1 PLACE ±0.25 ± ---				
		ANGULAR ±1/2°				
		DRAFT WHERE APPLICABLE MUST REMAIN WITHIN DIMENSIONS	SIZE C	MOLEX INCORPORATED DOCUMENT NO. SD-76871-003		SHEET NO. 1 OF 3
THIS DRAWING CONTAINS INFORMATION THAT IS PROPRIETARY TO MOLEX INCORPORATED AND SHOULD NOT BE USED WITHOUT WRITTEN PERMISSION						



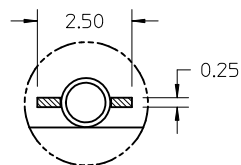
PANEL FROM OPENING
TO TOP OF PCB

0.27 ± 0.10



RECOMMENDED PANEL CUT-OUT

KEEP-OUT AREAS
COMPONENT SIDE



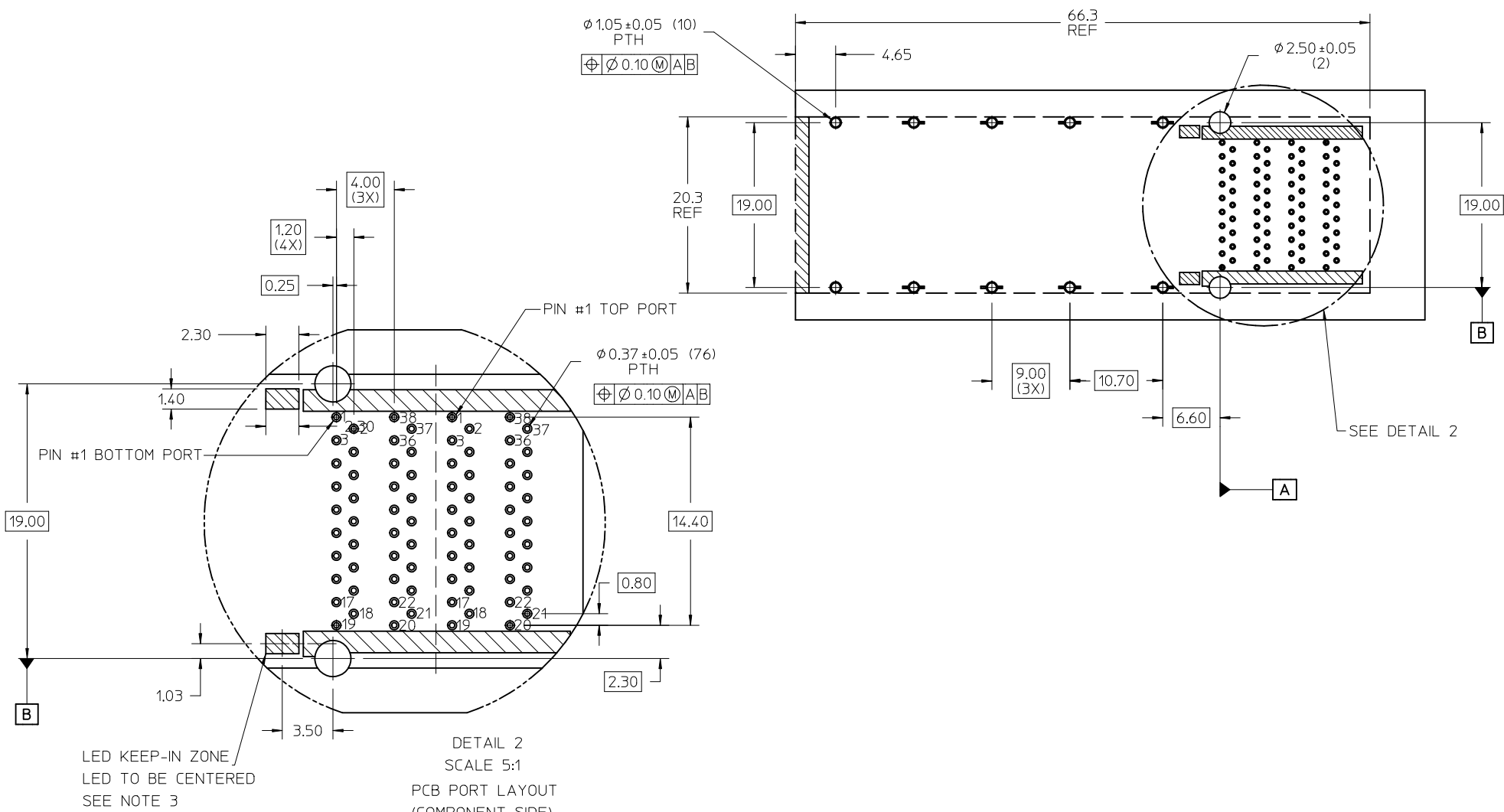
DETAIL 1
SCALE 10:1

TRACE KEEP-OUT ZONE
AROUND PRESS-FIT TAIL HOLES

NOTES:

1. THE ENTIRE AREA UNDER THE CONNECTOR (DASHED LINES) IS TO BE CONSIDERED A KEEP-OUT AREA FOR COMPONENTS.
2. HATCHED AREAS REPRESENT ZONES ON THE PCB THAT COME IN CONTACT WITH OR BE IN CLOSE PROXIMITY TO THE PLASTIC HOUSING OR THE CONNECTOR CAGE. INDICATED AREAS TO BE CONSIDERED TRACE FREE.

SEE SHEET 1 EC NO: UCP2012-3046 DRWN: HAVERY 2012/03/15 CHKD: MBANAKIS 2012/03/15 APPR: MBANAKIS	QUALITY SYMBOLS	GENERAL TOLERANCES (UNLESS SPECIFIED)	DIMENSION STYLE MM ONLY	SCALE 2:1	DESIGN UNITS METRIC	THIRD ANGLE PROJECTION
	▽=0	4 PLACES ± --- ± ---	mm	DRAWN BY JJANTELEZIO	DATE 2011/01/28	TITLE QSFP 2X1 ASSEMBLY WITHOUT FLANGE
	▽=0	3 PLACES ± --- ± ---	INCH	CHECKED BY	DATE	MOLEX INCORPORATED
	▽=0	2 PLACES ± 0.13 ± ---	APPROVED BY MBANAKIS	DATE 2011/04/14	DOCUMENT NO. SD-76871-003	
		1 PLACE ± 0.25 ± ---	MATERIAL NO.		SHEET NO. 2 OF 3	
		ANGULAR ± 1/2°	DRAFT WHERE APPLICABLE MUST REMAIN WITHIN DIMENSIONS		THIS DRAWING CONTAINS INFORMATION THAT IS PROPRIETARY TO MOLEX INCORPORATED AND SHOULD NOT BE USED WITHOUT WRITTEN PERMISSION	



- NOTES:
- PIN NUMBERS ARE PER THE STANDARD. BOTH PORTS ARE IN THE SAME (UP-UP) MODULE ORIENTATION.
 - DASHED LINES INDICATE AREA THAT IS OCCUPIED BY THE CONNECTOR, COMPONENT KEEP-OUT ZONE.
 - LED KEEP-IN ZONE DEFINES THE PHYSICAL SPACE ALLOWED FOR PLACEMENT OF SMD CHIP STYLE LED PACKAGES. KEEP-IN ZONE EXTENDS VERTICALLY TO 0.8mm ABOVE THE TOP SIDE OF BOARD.
 - SEE APPLICATION SPEC AS-76870-001 FOR RECOMMENDED DRILL HOLE SIZE.

DETAIL 2
SCALE 5:1
PCB PORT LAYOUT
(COMPONENT SIDE)

SEE SHEET 1 EC NO: UCP2012-3046 DRAWN BY: DRWINHAVERY CHKD: MBANAKIS APPR: MBANAKIS	DESCRIPTION 2012/03/15 2012/03/15	QUALITY SYMBOLS	GENERAL TOLERANCES (UNLESS SPECIFIED)	DIMENSION STYLE MM ONLY	SCALE 3:1	DESIGN UNITS METRIC	THIRD ANGLE PROJECTION	
		▽=0	mm INCH	DRAWN BY DATE JJANTELEZIO 2011/01/28	TITLE QSFP 2X1 ASSEMBLY WITHOUT FLANGE			
		▽=0	4 PLACES ± --- ± ---	CHECKED BY DATE	APPROVED BY DATE MBANAKIS 2011/04/14	MATERIAL NO.	DOCUMENT NO. SD-76871-003	SHEET NO. 3 OF 3
		▽=0	3 PLACES ± --- ± ---	DRAFT WHERE APPLICABLE MUST REMAIN WITHIN DIMENSIONS		SIZE SEE SHEET 1	THIS DRAWING CONTAINS INFORMATION THAT IS PROPRIETARY TO MOLEX INCORPORATED AND SHOULD NOT BE USED WITHOUT WRITTEN PERMISSION	