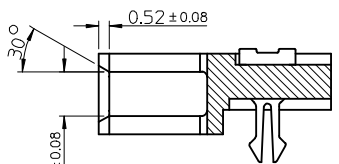
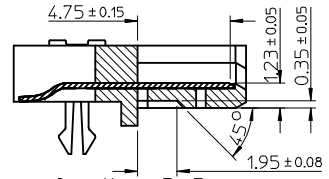


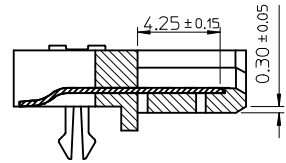
P/N	CONTACT AREA PLATING	REMARK	△PACKAGE
67490-3220	GOLD FLASH	PURE TIN	PK-67490-001 (TRAY)
67490-3221	0.76 MICRONS GOLD PLATED		
67490-3225	0.38 MICRONS GOLD PLATED	PURE TIN	PK-67490-005 (TAPE&REEL)
67490-3230	GOLD FLASH		
67490-3231	0.76 MICRONS GOLD PLATED		
67490-3235	0.38 MICRONS GOLD PLATED		



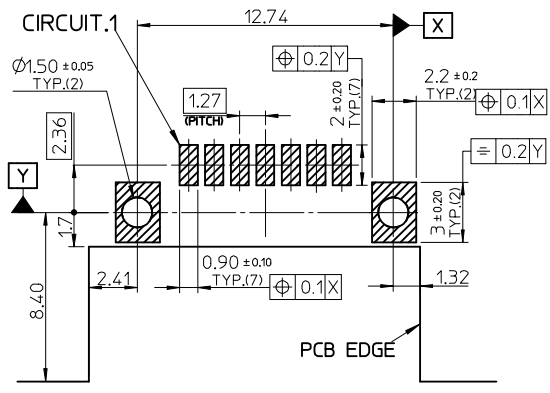
Section A-A



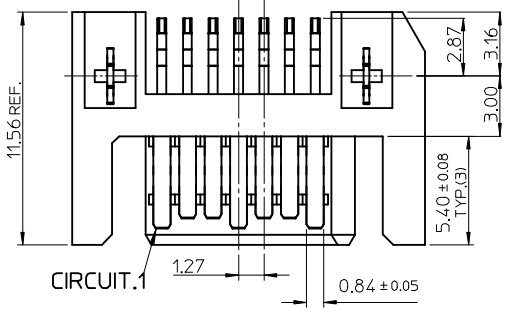
Section B-B



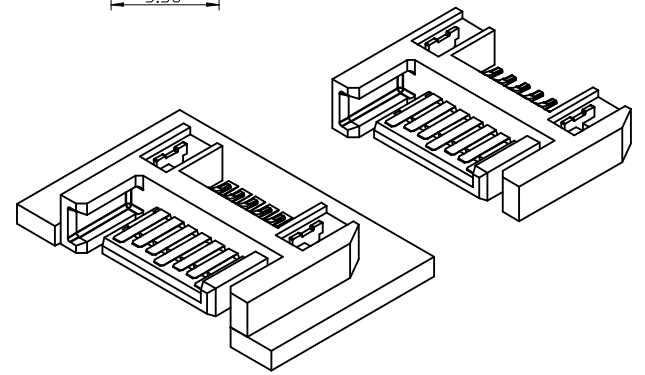
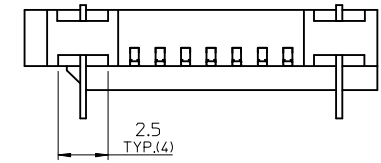
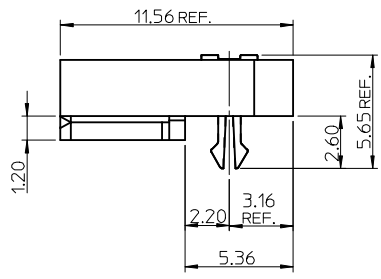
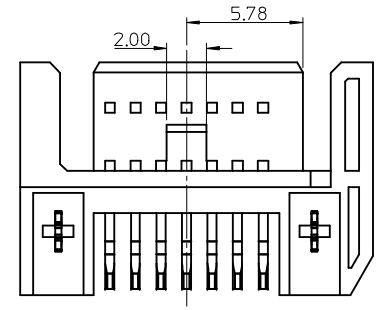
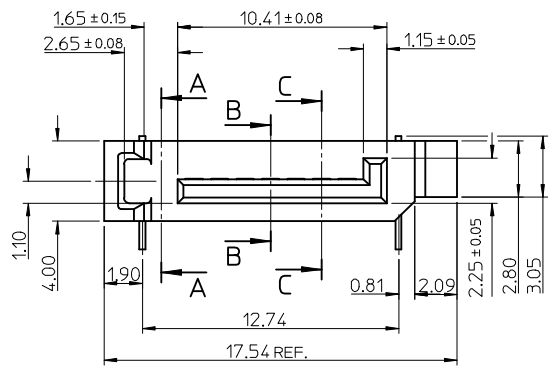
Section C-C



RECOMMEND PCB LAYOUT (t=1.6)



CIRCUIT.1



- NOTES:
- MATERIAL:  
HOUSING: HIGH TEMPERATURE THERMAL PLASTIC  
GLASS FILLED, UL94V-0, COLOR: BLACK  
TERMINAL/FORKLOCK: COPPER ALLOY  
MYLAR: ADHENSIVE MYLAR 4.5MM X 15.5MM
  - TERMINAL PLATING:  
CONTACT AREA: GOLD PLATED  
SOLDERING TAIL: 1.27 MICRONS MINIMUM TIN PLATED  
UNDER PLATE: NICKEL 1.27 MICRONS MINIMUM NICKEL PLATED
  - FORKLOCK PLATING:  
1.27 MICRONS MINIMUM TIN PLATED OVERALL 1.27 MICRONS MINIMUM NICKEL UNDER-PLATED
  - △PACKAGING SPECIFICATION REFER TO PK-67490-00\*
  - PRODUCT SPECIFICATION REFER TO PS-67490-001
  - MATING PART: 67538,67489
  - PRODUCT COMPLIANT TO RoHS DIRECTIVE 2002/95/EC AND ELV 2000/53/EC.

<b>ADD PART NUMBER</b> EC NO: SH2008-0665 DRWN: LSONG09 2008/08/07 CHKD: XJ SONG 2008/08/13 APPR: HWANG 2008/09/01	<b>QUALITY SYMBOLS</b> ▽=0 ◻=0	<b>GENERAL TOLERANCES (UNLESS SPECIFIED)</b>		<b>DIMENSION STYLE</b> MM ONLY	<b>SCALE</b> 4:1	<b>DESIGN UNITS</b> METRIC	THIRD ANGLE PROJECTION		
		4 PLACES ± --- ± --- 3 PLACES ± --- ± --- 2 PLACES ± 0.15 ± --- 1 PLACE ± 0.25 ± ---	mm INCH	DRAWN BY RICHARD CHECKED BY VINCENT APPROVED BY ERICK	DATE '01/05/28 DATE '01/05/28 DATE '01/05/28	TITLE SATA SYSTEM PLUG R/A REVERSE TYPE			
		ANGULAR ± 3 °		MATERIAL NO. SEE TABLE	DATE '01/05/28	MOLEX INCORPORATED			
		DRAFT WHERE APPLICABLE MUST REMAIN WITHIN DIMENSIONS		SIZE A3	THIS DRAWING CONTAINS INFORMATION THAT IS PROPRIETARY TO MOLEX INCORPORATED AND SHOULD NOT BE USED WITHOUT WRITTEN PERMISSION	DOCUMENT NO. SD-67490-001	SHEET NO. 1 OF 1		