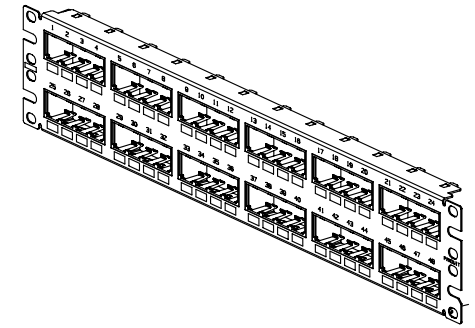
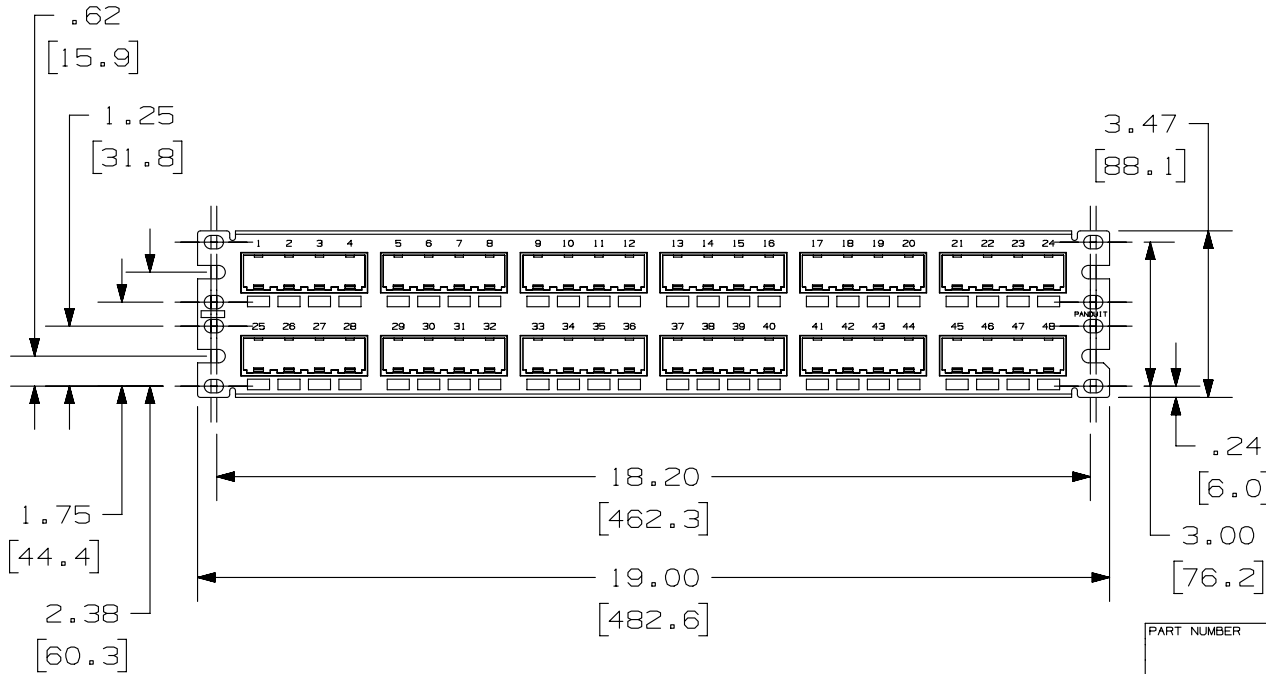
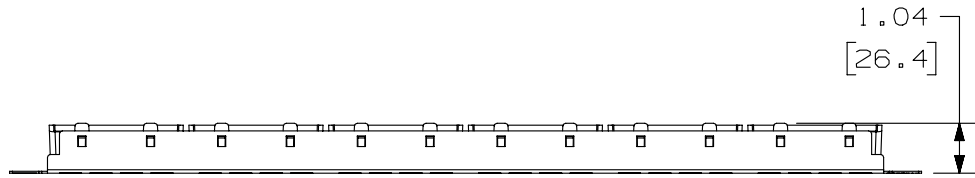


THIS COPY IS PROVIDED ON A RESTRICTED BASIS AND IS NOT TO BE USED IN ANY WAY DETRIMENTAL TO THE INTERESTS OF PANDUIT CORP.

PANDUIT P/N	WEIGHT
CPP48FMWBLY	11.2 LB/10 PCS (5087.2 g/10 PCS)

- NOTES:
- SEE CURRENT CATALOG FOR VARIOUS APPLICATIONS WITH THIS WIRING SYSTEM.
 - THE FLUSH MOUNT PATCH PANEL IS DESIGNED FOR MOUNTING TO 19" UNIVERSAL RACKS.
 - PACKAGE CONTENTS:
 - (1) -48 PORT STAMPING
 - (6) -8 POSITION FACEPLATE (ASSEMBLED TO PANEL)
 - (1) -SCREW KIT (INCLUDES FOUR #12-24 SCREWS)
 - (1) -SCREW KIT (INCLUDES FOUR M6 SCREWS)
 - DIMENSIONS IN [] ARE IN METRIC.



PART NUMBER		CPP48FMWBLY	
TITLE			
MINI-COM 48 PORT FLUSH MOUNT MODULAR PATCH PANEL			
CUSTOMER DRAWING			
ITEM REVISION NAME		M02479CV/01	
DATASET FILE NAME		M02479CV_DC75/00B	
UNLESS OTHERWISE SPECIFIED, DIMENSIONAL TOLERANCES ARE: IN [mm]		MATERIAL:	
.x ± .xx ± .03 [.8]		PANEL: 20 GAGE C.R.S. FACEPLATE: ABS	
ANGLES ±		DRAWING NUMBER:	
THIRD ANGLE PROJECTION		02479-075	
DRAWN BY	DATE	CHK	SCALE
JSP	3-11-06	MJD	NONE
SHT 1 OF 1			SIZE
			A

REV	DATE	BY	CHK	APR	DESCRIPTION	ECN
1	5/7/14	JSP	REFR	MMR	A. REVISED DRAWING TITLE BLOCK.	02479-075
R	3-11-06	JSP	MJD	MJD	RELEASED TO PRODUCTION	02479-075

D10100DA/14